

Protistor® size 32 aR

450 to 690VAC (IEC) / 700VAC (UL)

SEMICONDUCTOR PROTECTION FUSES

SQUARE BODY HIGH-SPEED FUSE-LINKS AC PROTECTION



The 690/700V Protistor® fuse-links provide maximum flexibility in equipment design and ultimate protection for today's power conversion equipment. These aR ultra-fast acting square body fuse-links are available in different body sizes, each size having multiple worldwide acceptable mounting styles.

The Protistor® have been engineered to provide state-of-the-art protection for semiconductors: diodes, thyristors and IGBT devices. Fuses are assembled with die-cut elements embedded in solidified sand, which helps control arcing characteristics for a lower I^2t and high interrupting rating level. All contact surfaces are silver plated and all hardware is non-magnetic.

Each fuse-link can be equipped with a low voltage trip-indicator which can operate a field mountable microswitch.

TECHNICAL DATA OVERVIEW

| | |
|----------------------|-----------------|
| Voltage Range AC | 450 ... 690 VAC |
| Ampere Range (A) | 315 ... 1800 A |
| Speed/Characteristic | aR |
| I.R. AC | 110 ... 200 kA |
| Product Size | 32 |

FEATURES & BENEFITS

- Multiple body sizes and terminals or blades combination
- aR Class according to IEC 60269-4 and VDE 636-23
- Very low I^2t for improved semiconductor protection
- Ultra fast acting
- Current limiting
- Superior cycling capability

APPLICATIONS

- Protection of inverters, motor drives, UPS systems and similar 690V or less equipments.

STANDARDS

- IEC 60269-4 Compliance
- UL/CSA Recognized E76491
- CCC GB 13539.4



Protistor® size 32 aR

450 to 690VAC (IEC) / 700VAC (UL)

PRODUCT RANGE



PC32UD69V800TF

Size 32 type TTF M10 threaded terminals

| Catalog number | Reference number | Rated voltage AC (IEC) | Rated voltage AC (UL) | Rated current I _n | Pre-arcing I ² t | Clearing I ² t at Rated Voltage | Rated breaking capacity AC | Power dissipation at I _n | Weight | Package |
|----------------------------|------------------|------------------------|-----------------------|------------------------------|-----------------------------|--|----------------------------|-------------------------------------|-----------|---------|
| Standard Terminal | | | | | | | | | | |
| PC32UD69V315TF | M302162 | 690 V | 700 V | 315 A | 5.2 kA ² s | 31.8 kA ² s | 200 kA | 71 W | 0.5463 kg | 3 |
| PC32UD69V350TF | N302163 | 690 V | 700 V | 350 A | 8.9 kA ² s | 53.7 kA ² s | 200 kA | 71 W | 0.5463 kg | 3 |
| PC32UD69V400TF | H300065 | 690 V | 700 V | 400 A | 15 kA ² s | 90 kA ² s | 200 kA | 72 W | 0.5463 kg | 3 |
| PC32UD69V450TF | J300066 | 690 V | 700 V | 450 A | 22 kA ² s | 130 kA ² s | 200 kA | 77 W | 0.5463 kg | 3 |
| PC32UD69V500TF | K300067 | 690 V | 700 V | 500 A | 28 kA ² s | 145 kA ² s | 200 kA | 85 W | 0.5463 kg | 3 |
| PC32UD69V550TF | L300068 | 690 V | 700 V | 550 A | 37 kA ² s | 215 kA ² s | 200 kA | 90 W | 0.5463 kg | 3 |
| PC32UD69V630TF | M300069 | 690 V | 700 V | 630 A | 54 kA ² s | 310 kA ² s | 200 kA | 95 W | 0.5463 kg | 3 |
| PC32UD69V700TF | N300070 | 690 V | 700 V | 700 A | 76 kA ² s | 440 kA ² s | 200 kA | 100 W | 0.5463 kg | 3 |
| PC32UD69V800TF | P300071 | 690 V | 700 V | 800 A | 115 kA ² s | 660 kA ² s | 200 kA | 110 W | 0.5406 kg | 3 |
| Reinforced Terminal | | | | | | | | | | |
| PC32UD69V900TF | Q300072 | 690 V | 700 V | 900 A | 165 kA ² s | 990 kA ² s | 200 kA | 110 W | 0.601 kg | 3 |
| PC32UD69V1000TF | S300074 | 690 V | 700 V | 1000 A | 230 kA ² s | 1380 kA ² s | 200 kA | 115 W | 0.601 kg | 3 |
| PC32UD60V1100TF | M300759 | 600 V | 650 V | 1100 A | 270 kA ² s | 1450 kA ² s | 160 kA | 140 W | 0.601 kg | 3 |
| PC32UD55V1250TF | P301060 | 550 V | 600 V | 1250 A | 410 kA ² s | 1950 kA ² s | 150 kA | 150 W | 0.601 kg | 3 |
| PC32UD50V1400TF | Q301061 | 500 V | 550 V | 1400 A | 555 kA ² s | 2300 kA ² s | 130 kA | 160 W | 0.601 kg | 3 |
| PC32UD50V1600TF | H300893 | 500 V | 550 V | 1600 A | 870 kA ² s | 3600 kA ² s | 130 kA | 165 W | 0.601 kg | 3 |
| PC32UD45V1800TF | R301062 | 450 V | 500 V | 1800 A | 1050 kA ² s | 3700 kA ² s | 110 kA | 195 W | 0.601 kg | 3 |

Size 32 type TTI 3/8"-16 unified coarse threaded terminals

| Catalog number | Reference number | Rated voltage AC (IEC) | Rated voltage AC (UL) | Rated current I _n | Pre-arcing I ² t | Clearing I ² t at Rated Voltage | Rated breaking capacity AC | Power dissipation at I _n | Weight | Package |
|----------------------------|------------------|------------------------|-----------------------|------------------------------|-----------------------------|--|----------------------------|-------------------------------------|-----------|---------|
| Standard Terminal | | | | | | | | | | |
| A070UD32TTI400 | Q300463 | 690 V | 700 V | 400 A | 15 kA ² s | 90 kA ² s | 200 kA | 72 W | 0.6033 kg | 3 |
| A070UD32TTI450 | N300461 | 690 V | 700 V | 450 A | 22 kA ² s | 130 kA ² s | 200 kA | 77 W | 0.6033 kg | 3 |
| A070UD32TTI500 | P300462 | 690 V | 700 V | 500 A | 28 kA ² s | 160 kA ² s | 200 kA | 85 W | 0.6033 kg | 3 |
| A070UD32TTI550 | R300464 | 690 V | 700 V | 550 A | 37 kA ² s | 215 kA ² s | 200 kA | 90 W | 0.6033 kg | 3 |
| A070UD32TTI630 | S300465 | 690 V | 700 V | 630 A | 54 kA ² s | 310 kA ² s | 200 kA | 95 W | 0.6033 kg | 3 |
| A070UD32TTI700 | T300466 | 690 V | 700 V | 700 A | 76 kA ² s | 440 kA ² s | 200 kA | 100 W | 0.6033 kg | 3 |
| A070UD32TTI800 | V300467 | 690 V | 700 V | 800 A | 115 kA ² s | 660 kA ² s | 200 kA | 110 W | 0.6033 kg | 3 |
| Reinforced Terminal | | | | | | | | | | |
| A070UD32TTI900 | W300468 | 690 V | 700 V | 900 A | 165 kA ² s | 990 kA ² s | 200 kA | 110 W | 0.6 kg | 3 |
| A070UD32TTI1000 | X300469 | 690 V | 700 V | 1000 A | 230 kA ² s | 1380 kA ² s | 200 kA | 115 W | 0.6033 kg | 3 |
| A065UD32TTI1100 | M301081 | 600 V | 650 V | 1100 A | 270 kA ² s | 1450 kA ² s | 160 kA | 140 W | 0.6 kg | 3 |
| A060UD32TTI1250 | N301082 | 550 V | 600 V | 1250 A | 410 kA ² s | 1950 kA ² s | 150 kA | 150 W | 0.6 kg | 3 |
| A055UD32TTI1400 | P301083 | 500 V | 550 V | 1400 A | 555 kA ² s | 2300 kA ² s | 130 kA | 160 W | 0.6033 kg | 3 |
| A055UD32TTI1600 | Q301084 | 500 V | 550 V | 1600 A | 870 kA ² s | 3600 kA ² s | 130 kA | 165 W | 0.6 kg | 3 |
| A050UD32TTI1800 | R301085 | 450 V | 500 V | 1800 A | 1050 kA ² s | 3700 kA ² s | 110 kA | 195 W | 0.6 kg | 3 |

MERSEN reserves the right to change, update or correct, without notice, any information contained in this datasheet.

Protistor® size 32 aR

450 to 690VAC (IEC) / 700VAC (UL)

PRODUCT RANGE

Size 32 type DIN80 blades

| Catalog number | Reference number | Rated voltage AC (IEC) | Rated voltage AC (UL) | Rated current I _n | Pre-arcing I ² t | Clearing I ² t at Rated Voltage | Rated breaking capacity AC | Power dissipation at In | Weight | Package |
|----------------|------------------|------------------------|-----------------------|------------------------------|-----------------------------|--|----------------------------|-------------------------|-----------|---------|
| PC32UD69V315A | H302158 | 690 V | 700 V | 315 A | 5.2 kA ² s | 31.8 kA ² s | 200 kA | 71 W | 530 g | 3 |
| PC32UD69V350A | J302159 | 690 V | 700 V | 350 A | 8.9 kA ² s | 53.7 kA ² s | 200 kA | 74 W | 530 g | 3 |
| PC32UD69V400A | E300177 | 690 V | 700 V | 400 A | 15 kA ² s | 90 kA ² s | 200 kA | 75 W | 0.5293 kg | 3 |
| PC32UD69V450A | F300178 | 690 V | 700 V | 450 A | 22 kA ² s | 130 kA ² s | 200 kA | 80 W | 0.5293 kg | 3 |
| PC32UD69V500A | G300179 | 690 V | 700 V | 500 A | 28 kA ² s | 160 kA ² s | 200 kA | 90 W | 0.5293 kg | 3 |
| PC32UD69V550A | H300180 | 690 V | 700 V | 550 A | 37 A ² s | 215 kA ² s | 200 kA | 95 W | 0.5293 kg | 3 |
| PC32UD69V630A | J300181 | 690 V | 700 V | 630 A | 54 kA ² s | 310 kA ² s | 200 kA | 105 W | 0.5293 kg | 3 |
| PC32UD69V700A | K300182 | 690 V | 700 V | 700 A | 76 A ² s | 440 kA ² s | 200 kA | 110 W | 0.5293 kg | 3 |
| PC32UD69V800A | L300183 | 690 V | 700 V | 800 A | 115 kA ² s | 660 kA ² s | 200 kA | 120 W | 0.5293 kg | 3 |
| PC32UD69V900A | M300184 | 690 V | 700 V | 900 A | 170 kA ² s | 990 kA ² s | 200 kA | 125 W | 0.5293 kg | 3 |
| PC32UD69V1000A | N300185 | 690 V | 700 V | 1000 A | 240 kA ² s | 1380 kA ² s | 200 kA | 135 W | 0.5293 kg | 3 |
| PC32UD60V1100A | W302101 | 600 V | 650 V | 1100 A | 270 kA ² s | 1450 kA ² s | 160 kA | 165 W | 0.704 kg | 3 |
| PC32UD55V1250A | G300409 | 550 V | 600 V | 1250 A | 410 kA ² s | 1950 kA ² s | 150 kA | 180 W | 0.5293 kg | 3 |



PC32UD69V900D1A

Size 32 type DIN110 blades

| Catalog number | Reference number | Rated voltage AC (IEC) | Rated voltage AC (UL) | Rated current I _n | Pre-arcing I ² t | Clearing I ² t at Rated Voltage | Rated breaking capacity AC | Power dissipation at In | Weight | Package |
|-----------------|------------------|------------------------|-----------------------|------------------------------|-----------------------------|--|----------------------------|-------------------------|-----------|---------|
| PC32UD69V315D1A | K302160 | 690 V | 700 V | 315 A | 5.2 A ² s | 31.8 kA ² s | 200 kA | 71 W | 0.5633 kg | 3 |
| PC32UD69V350D1A | L302161 | 690 V | 700 V | 350 A | 8.9 kA ² s | 53.7 kA ² s | 200 kA | 74 W | 565 g | 3 |
| PC32UD69V400D1A | P300186 | 690 V | 700 V | 400 A | 15 kA ² s | 90 kA ² s | 200 kA | 75 W | 0.5633 kg | 3 |
| PC32UD69V450D1A | Q300187 | 690 V | 700 V | 450 A | 22 kA ² s | 130 kA ² s | 200 kA | 80 W | 0.5633 kg | 3 |
| PC32UD69V500D1A | R300188 | 690 V | 700 V | 500 A | 28 A ² s | 160 kA ² s | 200 kA | 90 W | 0.5633 kg | 3 |
| PC32UD69V550D1A | S300189 | 690 V | 700 V | 550 A | 37 kA ² s | 215 kA ² s | 200 kA | 95 W | 0.5633 kg | 3 |
| PC32UD69V630D1A | T300190 | 690 V | 700 V | 630 A | 54 kA ² s | 310 kA ² s | 200 kA | 105 W | 0.5633 kg | 3 |
| PC32UD69V700D1A | V300191 | 690 V | 700 V | 700 A | 76 kA ² s | 440 kA ² s | 200 kA | 110 W | 0.5633 kg | 3 |
| PC32UD69V800D1A | W300192 | 690 V | 700 V | 800 A | 115 kA ² s | 660 kA ² s | 200 kA | 120 W | 0.5633 kg | 3 |
| PC32UD69V900D1A | X300193 | 690 V | 700 V | 900 A | 170 kA ² s | 990 kA ² s | 200 kA | 125 W | 0.5633 kg | 3 |
| PC32UD69V10CD1A | Y300194 | 690 V | 700 V | 1000 A | 240 kA ² s | 1380 kA ² s | 200 kA | 135 W | 0.5633 kg | 3 |

Size 32 type KI short slotted blades

| Catalog number | Reference number | Rated voltage AC (IEC) | Rated voltage AC (UL) | Rated current I _n | Pre-arcing I ² t | Clearing I ² t at Rated Voltage | Rated breaking capacity AC | Power dissipation at In | Weight | Package |
|----------------|------------------|------------------------|-----------------------|------------------------------|-----------------------------|--|----------------------------|-------------------------|-----------|---------|
| A070UD32KI315 | P302164 | 690 V | 700 V | 315 A | 5.2 kA ² s | 31.8 kA ² s | 200 kA | 71 W | 0.5523 kg | 3 |
| A070UD32KI350 | Q302165 | 690 V | 700 V | 350 A | 8.9 kA ² s | 53.7 kA ² s | 200 kA | 74 W | 0.5523 kg | 3 |
| A070UD32KI400 | Z300195 | 690 V | 700 V | 400 A | 15 kA ² s | 90 kA ² s | 200 kA | 75 W | 0.5523 kg | 3 |
| A070UD32KI450 | A300196 | 690 V | 700 V | 450 A | 22 kA ² s | 130 kA ² s | 200 kA | 80 W | 0.5523 kg | 3 |
| A070UD32KI500 | B300197 | 690 V | 700 V | 500 A | 28 kA ² s | 160 kA ² s | 200 kA | 90 W | 0.5523 kg | 3 |
| A070UD32KI550 | C300198 | 690 V | 700 V | 550 A | 37 kA ² s | 215 kA ² s | 200 kA | 95 W | 0.5523 kg | 3 |
| A070UD32KI630 | D300199 | 690 V | 700 V | 630 A | 54 kA ² s | 310 kA ² s | 200 kA | 105 W | 0.5523 kg | 3 |
| A070UD32KI700 | E300200 | 690 V | 700 V | 700 A | 76 kA ² s | 440 kA ² s | 200 kA | 110 W | 0.5523 kg | 3 |
| A070UD32KI800 | F300201 | 690 V | 700 V | 800 A | 115 kA ² s | 660 kA ² s | 200 kA | 120 W | 0.5523 kg | 3 |
| A070UD32KI900 | G300202 | 690 V | 700 V | 900 A | 170 kA ² s | 990 kA ² s | 200 kA | 125 W | 0.5523 kg | 3 |
| A070UD32KI1000 | H300203 | 690 V | 700 V | 1000 A | 240 kA ² s | 1380 kA ² s | 200 kA | 135 W | 0.5523 kg | 3 |

MERSEN reserves the right to change, update or correct, without notice, any information contained in this datasheet.

Protistor® size 32 aR

450 to 690VAC (IEC) / 700VAC (UL)

PRODUCT RANGE

Size 32 type LI long slotted blades

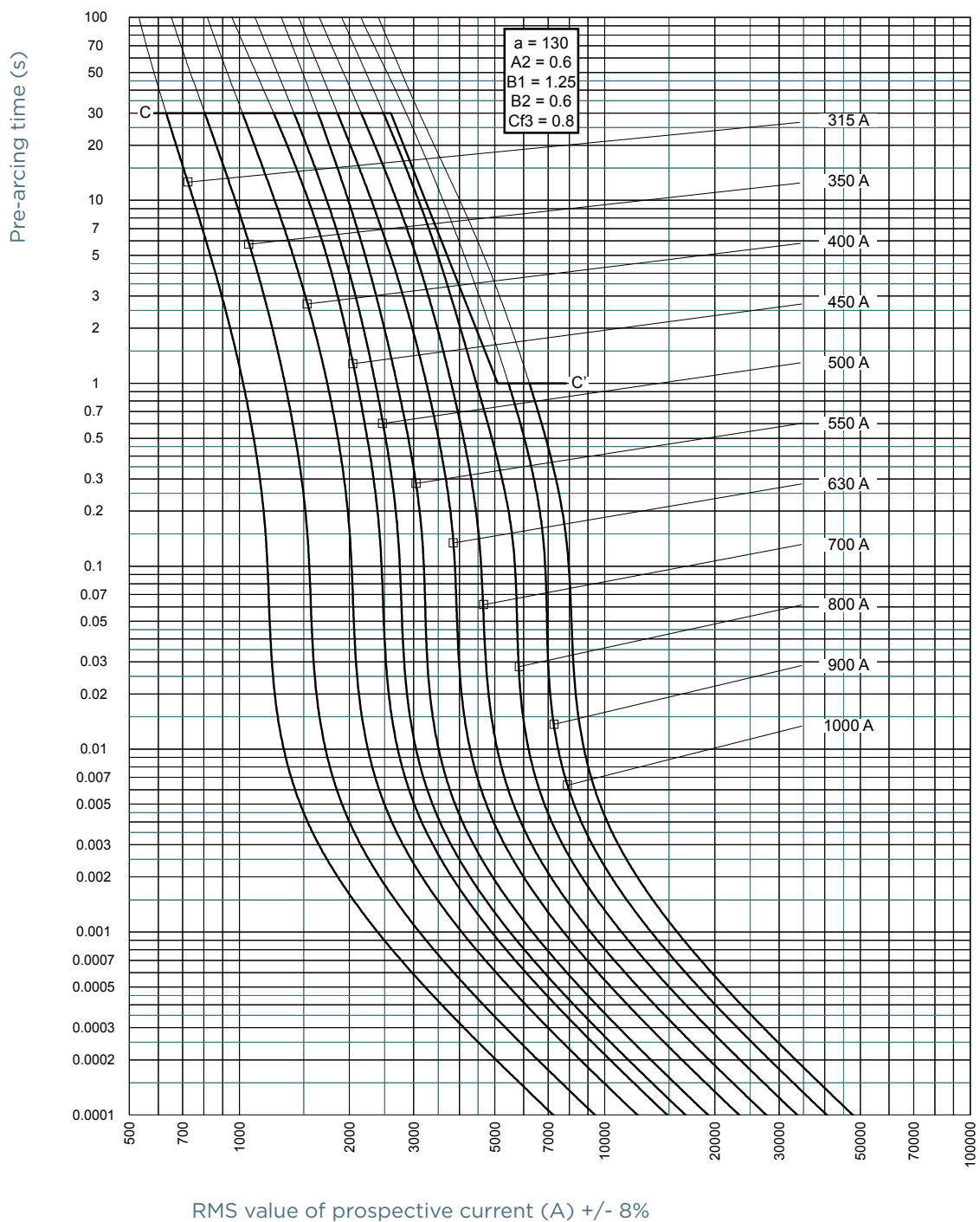
| Catalog number | Reference number | Rated voltage AC (IEC) | Rated voltage AC (UL) | Rated current I _n | Pre-arcing I ² t | Clearing I ² t at Rated Voltage | Rated breaking capacity AC | Power dissipation at I _n | Weight | Package |
|----------------|------------------|------------------------|-----------------------|------------------------------|-----------------------------|--|----------------------------|-------------------------------------|-----------|---------|
| A070UD32LI315 | R302166 | 690 V | 700 V | 315 A | 5.2 kA ² s | 31.8 kA ² s | 200 kA | 71 W | 0.5733 kg | 3 |
| A070UD32LI350 | S302167 | 690 V | 700 V | 350 A | 8.9 kA ² s | 53.7 kA ² s | 200 kA | 74 W | 0.5733 kg | 3 |
| A070UD32LI400 | J300204 | 690 V | 700 V | 400 A | 15 kA ² s | 90 kA ² s | 200 kA | 75 W | 0.5733 kg | 3 |
| A070UD32LI450 | K300205 | 690 V | 700 V | 450 A | 22 kA ² s | 130 kA ² s | 200 kA | 80 W | 0.5733 kg | 3 |
| A070UD32LI500 | L300206 | 690 V | 700 V | 500 A | 28 kA ² s | 160 kA ² s | 200 kA | 90 W | 0.5733 kg | 3 |
| A070UD32LI550 | M300207 | 690 V | 700 V | 550 A | 37 kA ² s | 215 kA ² s | 200 kA | 95 W | 0.5733 kg | 3 |
| A070UD32LI630 | N300208 | 690 V | 700 V | 630 A | 54 kA ² s | 310 kA ² s | 200 kA | 105 W | 0.5733 kg | 3 |
| A070UD32LI700 | P300209 | 690 V | 700 V | 700 A | 76 kA ² s | 440 kA ² s | 200 kA | 110 W | 0.5733 kg | 3 |
| A070UD32LI800 | Q300210 | 690 V | 700 V | 800 A | 115 kA ² s | 660 kA ² s | 200 kA | 120 W | 0.5733 kg | 3 |
| A070UD32LI900 | R300211 | 690 V | 700 V | 900 A | 170 kA ² s | 990 kA ² s | 200 kA | 125 W | 0.7433 kg | 3 |
| A070UD32LI1000 | S300212 | 690 V | 700 V | 1000 A | 240 kA ² s | 1380 kA ² s | 200 kA | 135 W | 0.7433 kg | 3 |
| A065UD32LI1100 | B301071 | 600 V | 650 V | 1100 A | 270 kA ² s | 1450 kA ² s | 160 kA | 165 W | 0.7433 kg | 3 |
| A060UD32LI1250 | C301072 | 550 V | 600 V | 1250 A | 410 kA ² s | 1950 kA ² s | 150 kA | 180 W | 0.7433 kg | 3 |
| A070UD32LI1400 | D301073 | 500 V | 550 V | 1400 A | 555 kA ² s | 2300 kA ² s | 200 kA | 200 W | 0.7433 kg | 3 |

Size 32 type EF blades for bolted connections

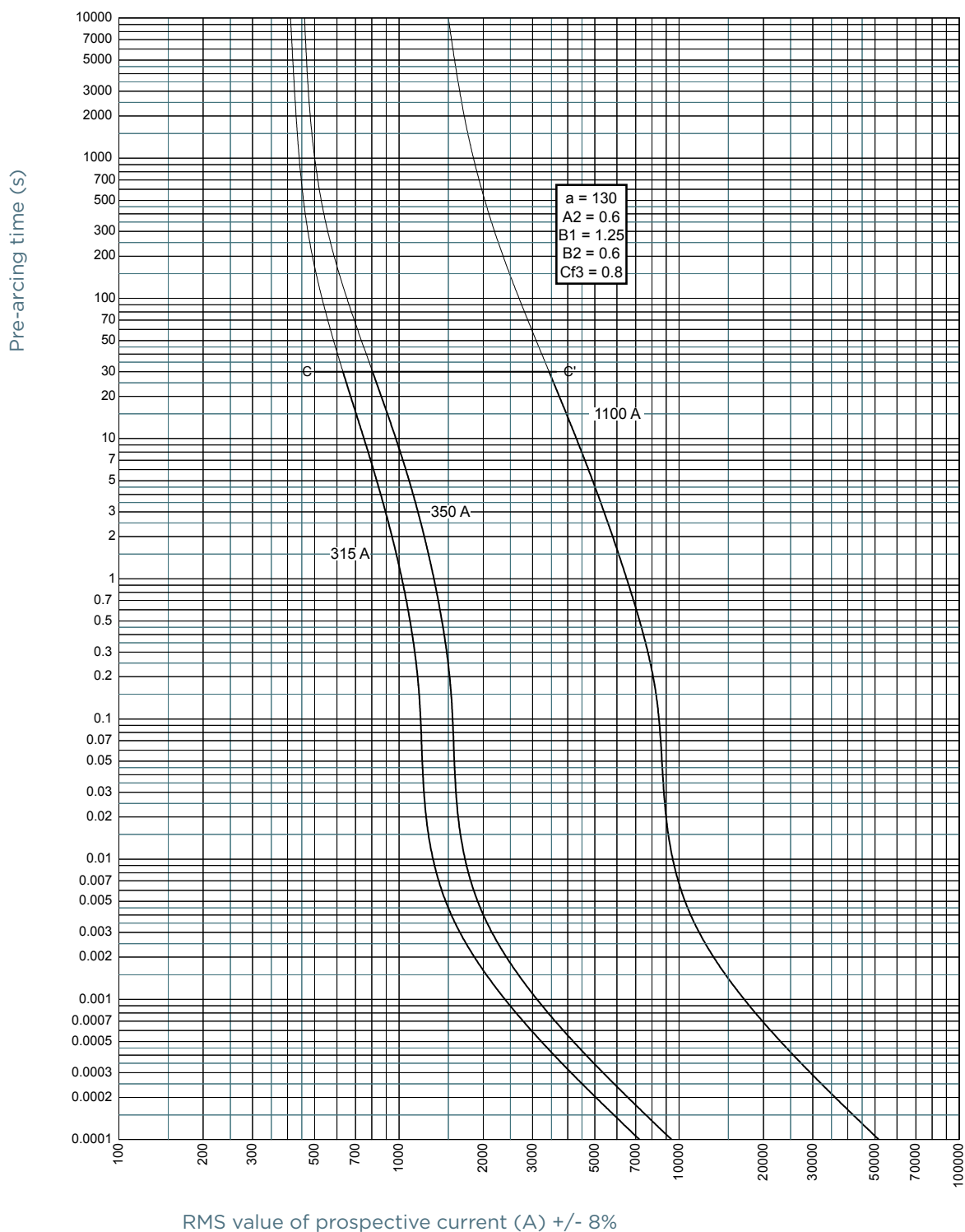
| Catalog number | Reference number | Rated voltage AC (IEC) | Rated voltage AC (UL) | Rated current I _n | Pre-arcing I ² t | Clearing I ² t at Rated Voltage | Rated breaking capacity AC | Power dissipation at I _n | Weight | Package |
|-----------------|------------------|------------------------|-----------------------|------------------------------|-----------------------------|--|----------------------------|-------------------------------------|-----------|---------|
| PC32UD69V400EF | V300168 | 690 V | 700 V | 400 A | 15 kA ² s | 90 kA ² s | 200 kA | 75 W | 0.5716 kg | 3 |
| PC32UD69V450EF | W300169 | 690 V | 700 V | 450 A | 22 kA ² s | 130 kA ² s | 200 kA | 80 W | 0.5716 kg | 3 |
| PC32UD69V500EF | X300170 | 690 V | 700 V | 500 A | 28 kA ² s | 160 kA ² s | 200 kA | 90 W | 0.5716 kg | 3 |
| PC32UD69V550EF | Y300171 | 690 V | 700 V | 550 A | 37 kA ² s | 215 kA ² s | 200 kA | 95 W | 0.5716 kg | 3 |
| PC32UD69V630EF | Z300172 | 690 V | 700 V | 630 A | 54 kA ² s | 310 kA ² s | 200 kA | 105 W | 0.5716 kg | 3 |
| PC32UD69V700EF | A300173 | 690 V | 700 V | 700 A | 76 kA ² s | 440 kA ² s | 200 kA | 110 W | 0.5716 kg | 3 |
| PC32UD69V800EF | B300174 | 690 V | 700 V | 800 A | 115 kA ² s | 660 kA ² s | 200 kA | 120 W | 0.5716 kg | 3 |
| PC32UD69V900EF | C300175 | 690 V | 700 V | 900 A | 170 kA ² s | 990 kA ² s | 200 kA | 125 W | 0.5716 kg | 3 |
| PC32UD69V1000EF | D300176 | 690 V | 700 V | 1000 A | 240 kA ² s | 1380 kA ² s | 200 kA | 135 W | 0.5716 kg | 3 |

MERSEN reserves the right to change, update or correct, without notice, any information contained in this datasheet.

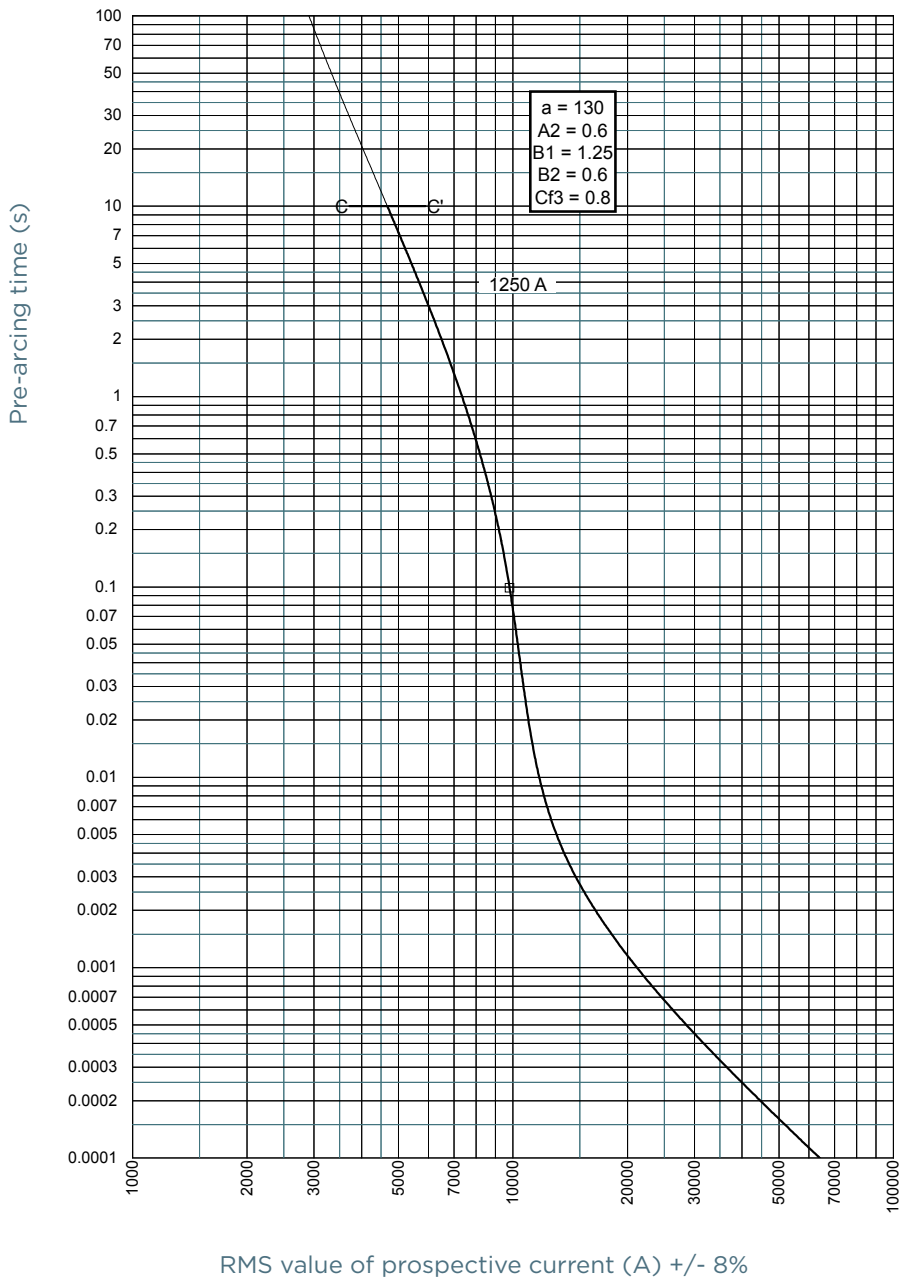
TIME CURRENT CHARACTERISTIC CURVES



TIME CURRENT CHARACTERISTIC CURVES

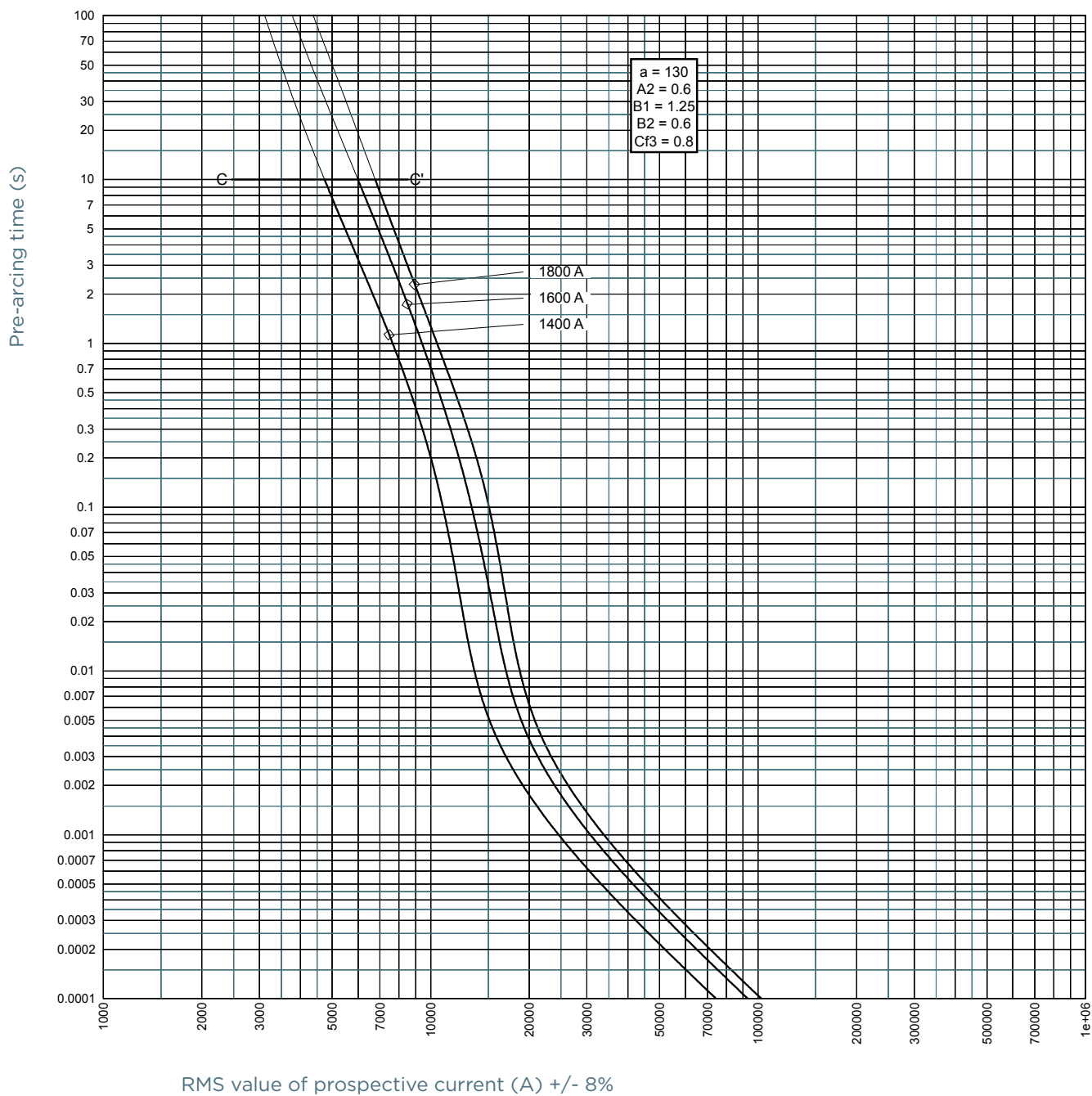


TIME CURRENT CHARACTERISTIC CURVES

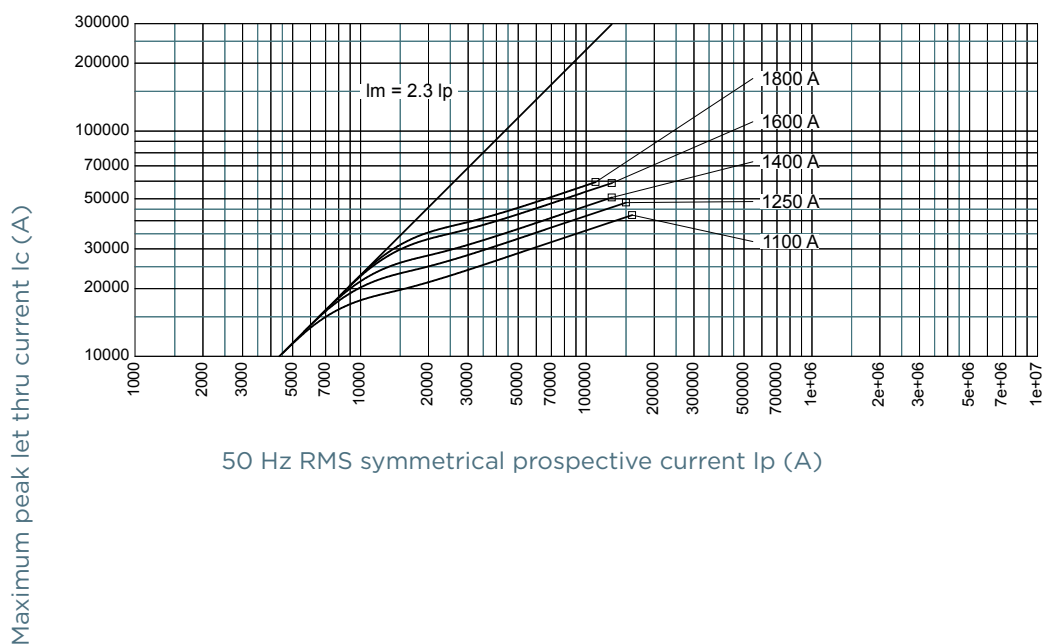
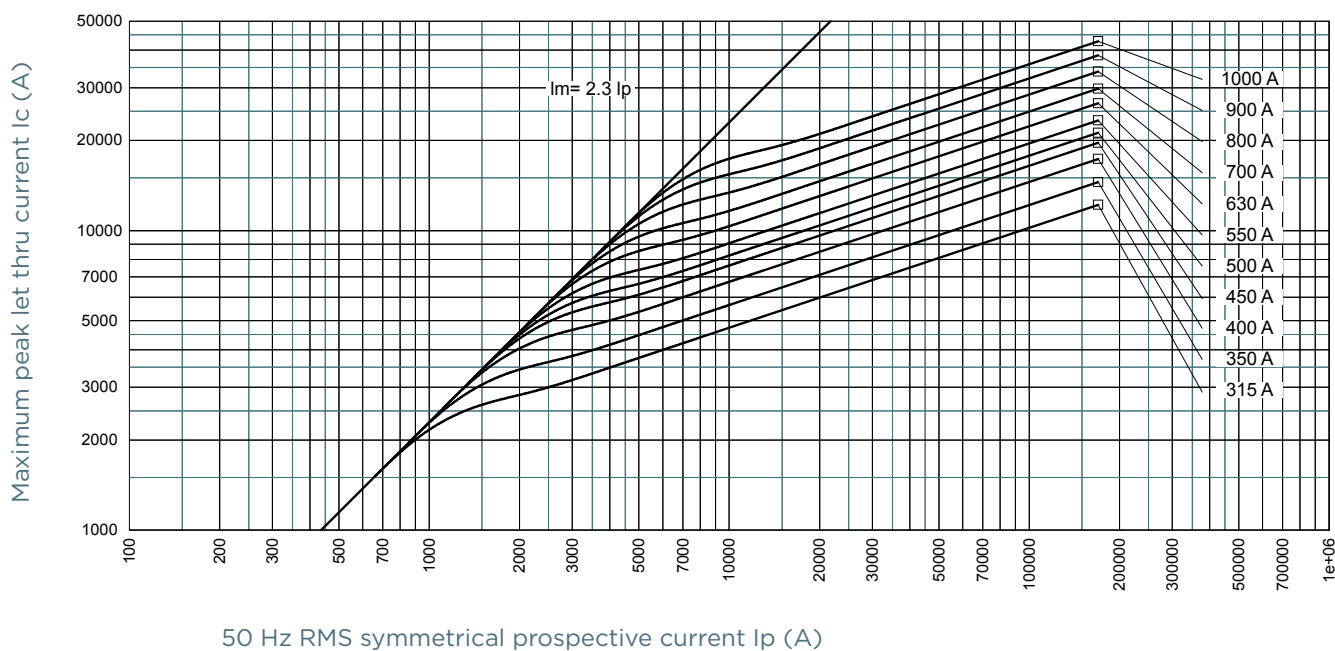


MERSEN reserves the right to change, update or correct, without notice, any information contained in this datasheet.

TIME CURRENT CHARACTERISTIC CURVES

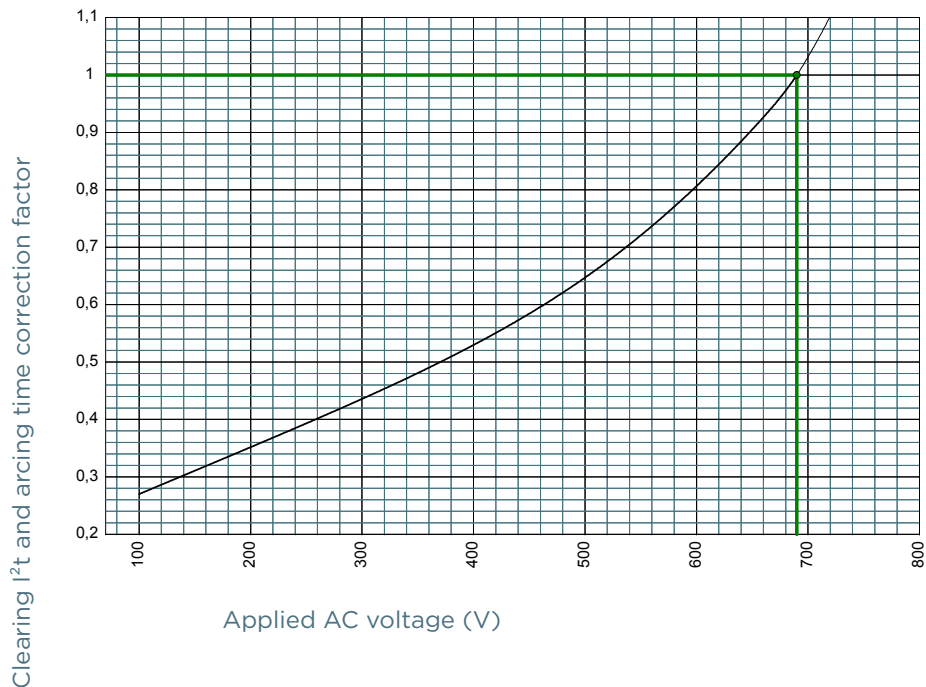


CUT-OFF CURRENT CHARACTERISTIC

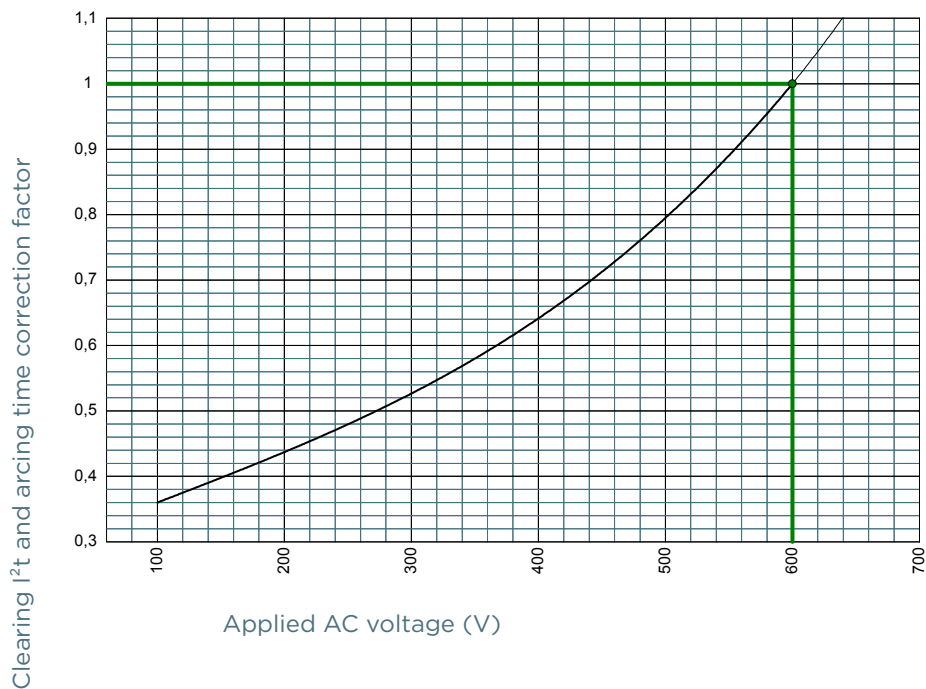


I²T MULTIPLIER COEFFICIENT

Size 32 690V

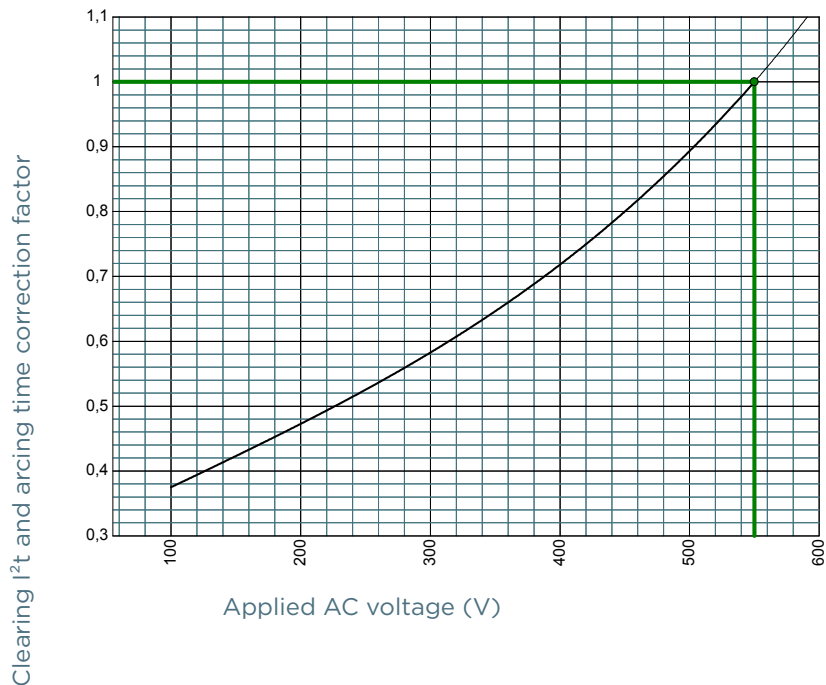


Size 32 600V

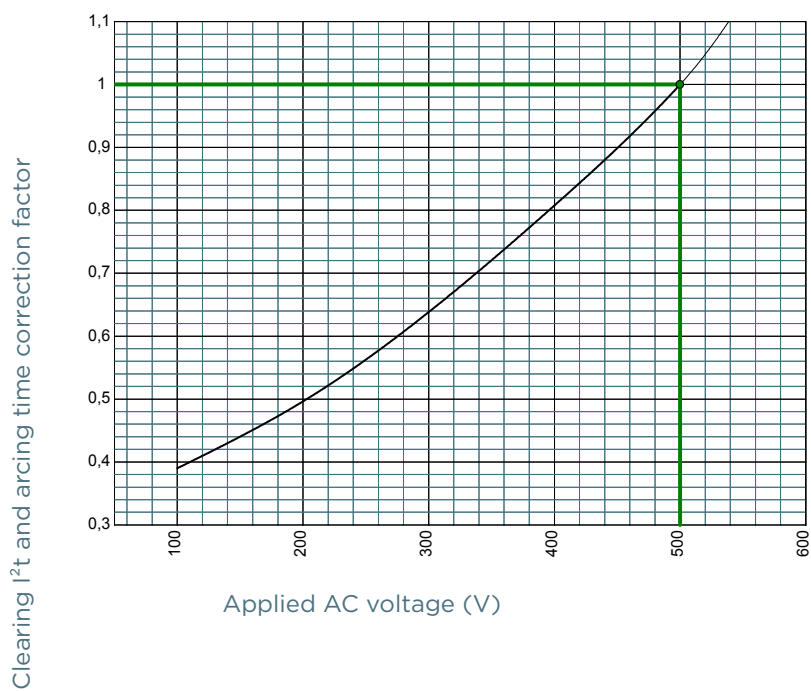


I²T MULTIPLIER COEFFICIENT

Size 32 550V

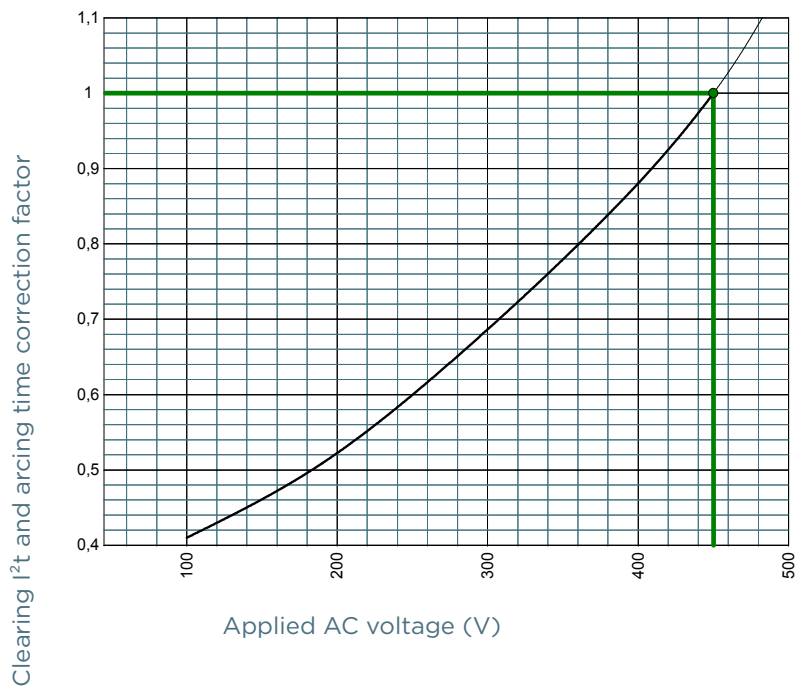


Size 32 500V



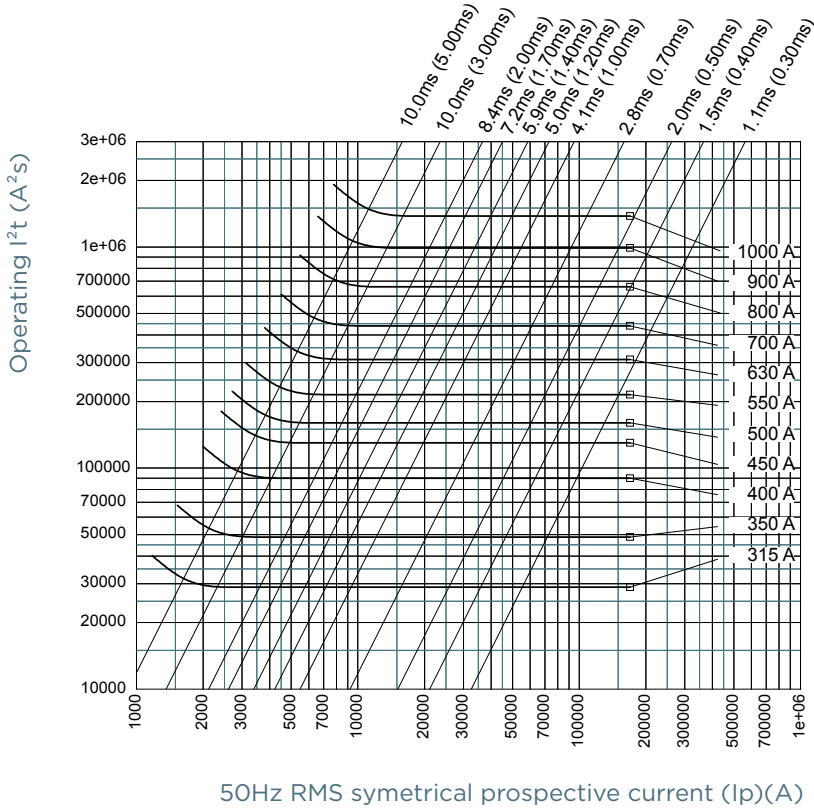
I²T MULTIPLIER COEFFICIENT

Size 32 450V

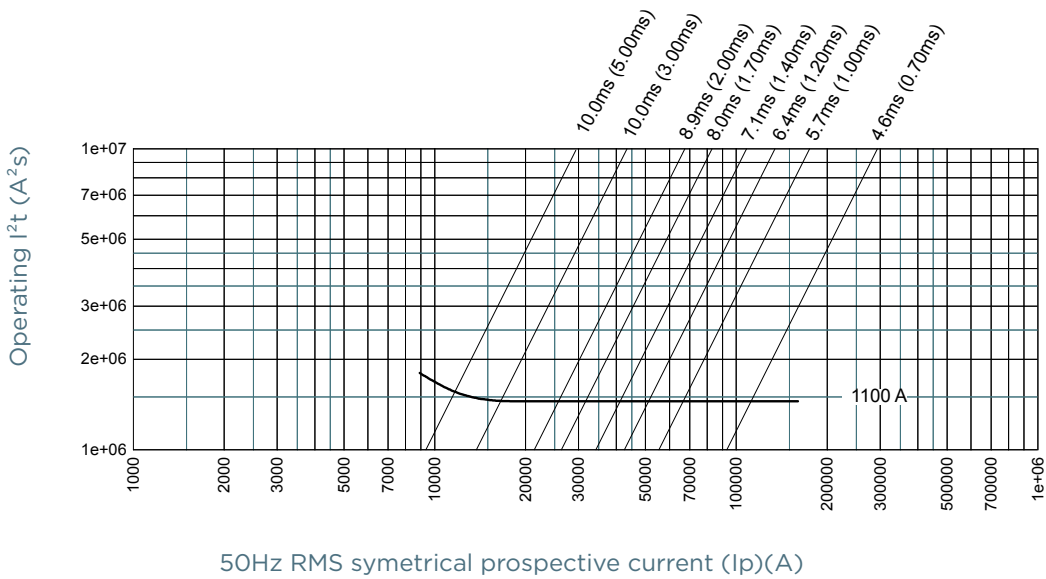


CHARACTERISTICS TOTAL I²T CURVE

Size 32 690V



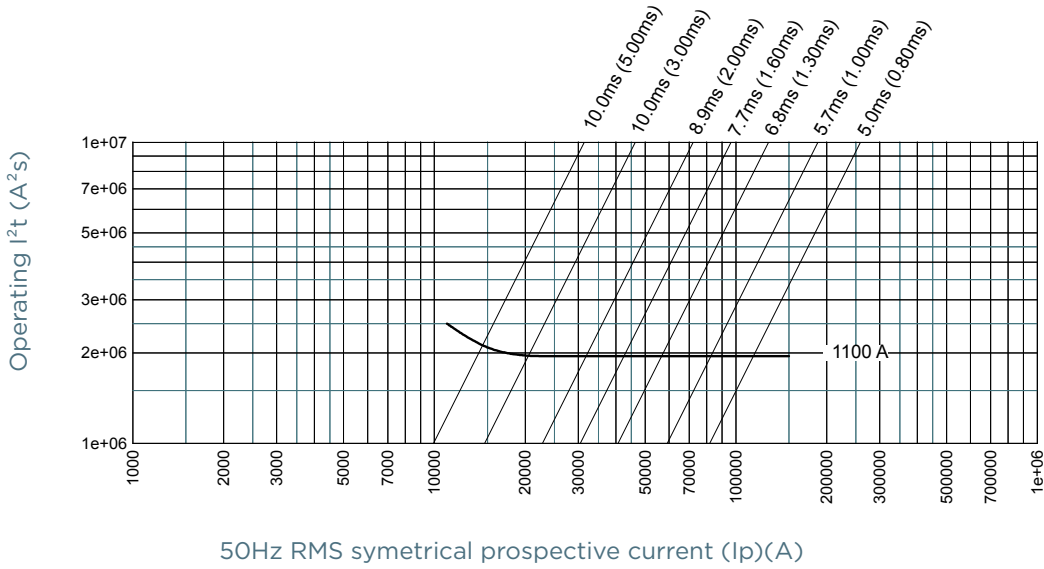
Size 32 660V



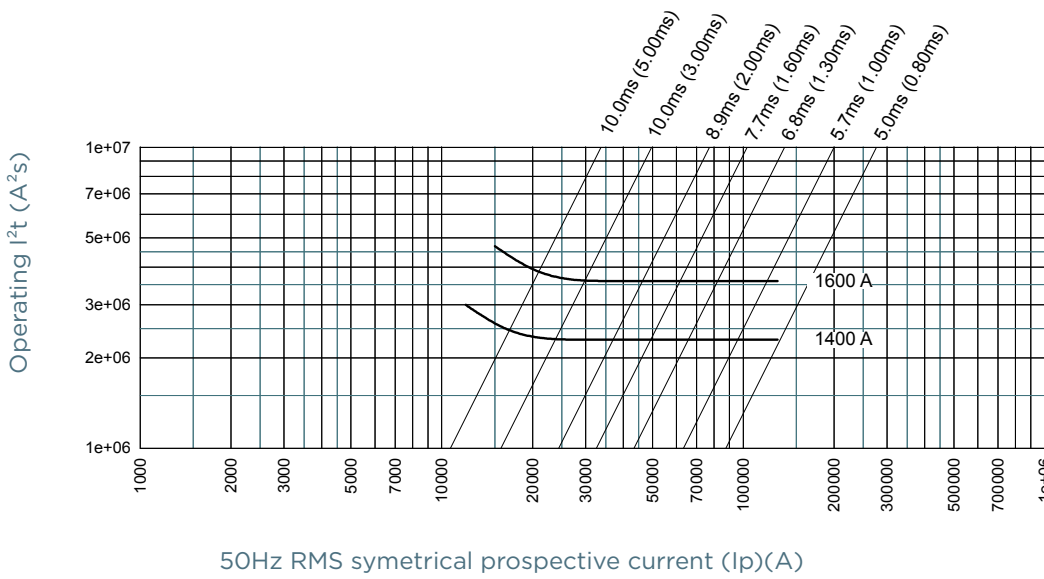
MERSEN reserves the right to change, update or correct, without notice, any information contained in this datasheet.

CHARACTERISTICS TOTAL I²T CURVE

Size 32 550V

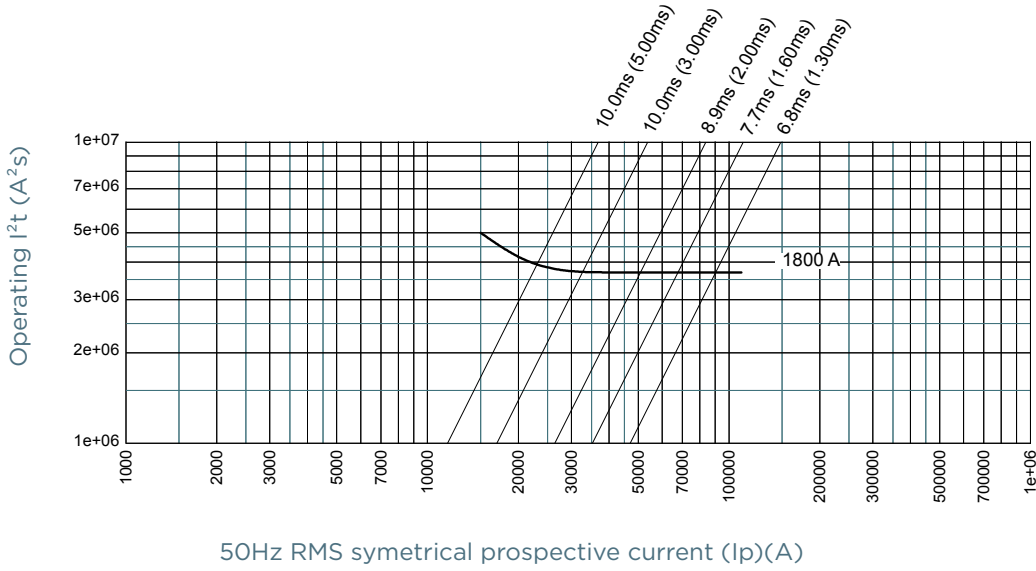


Size 32 500V

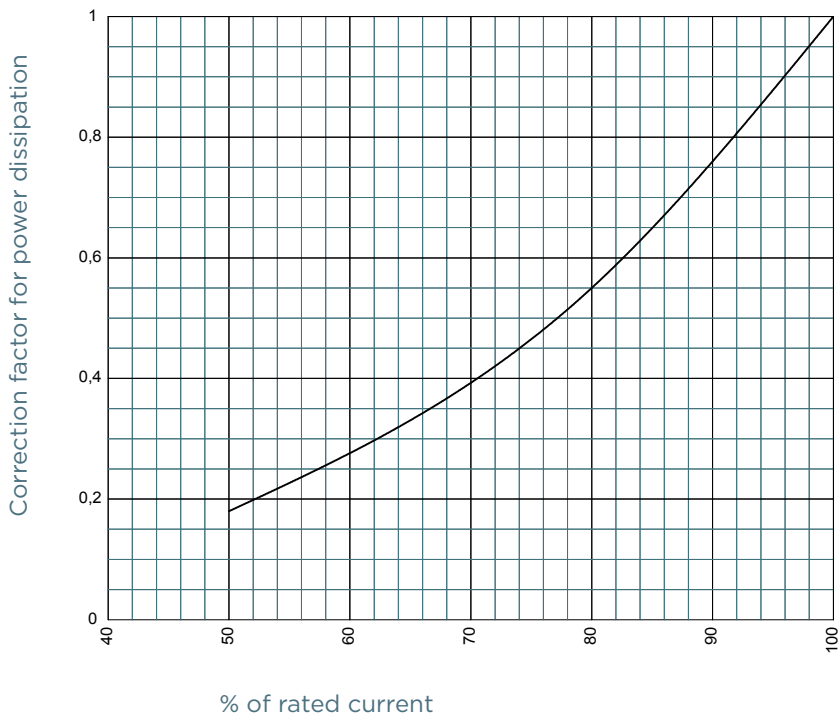


CHARACTERISTICS TOTAL I²T CURVE

Size 32 450V



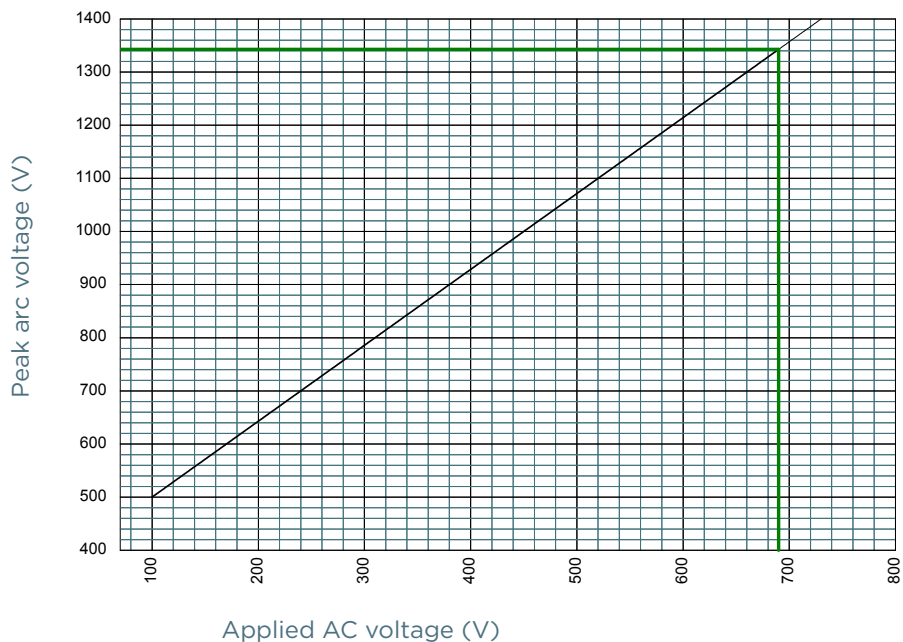
POWER DISSIPATION



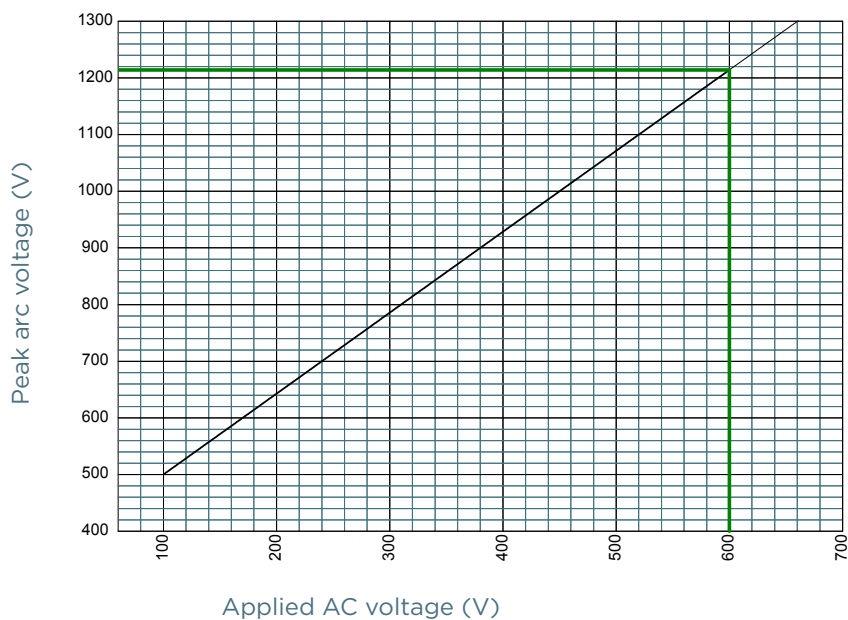
MERSEN reserves the right to change, update or correct, without notice, any information contained in this datasheet.

PEAK ARC VOLTAGE

Size 32 690V

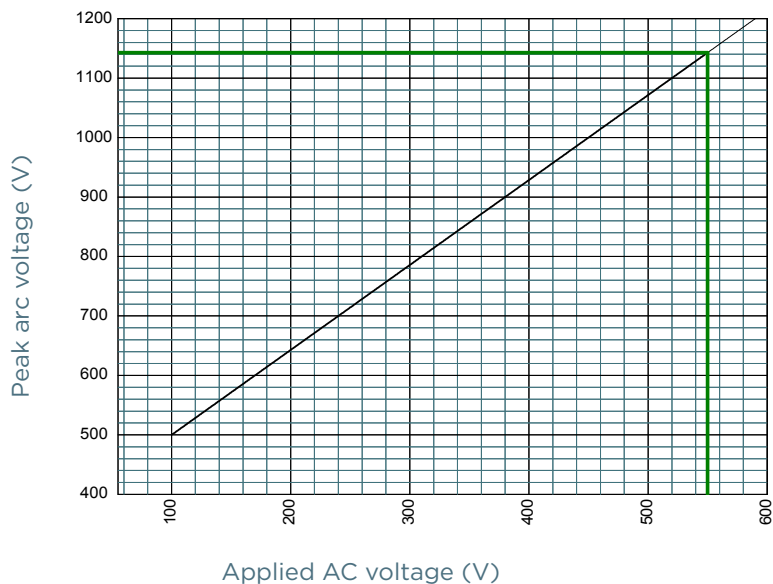


Size 32 600V

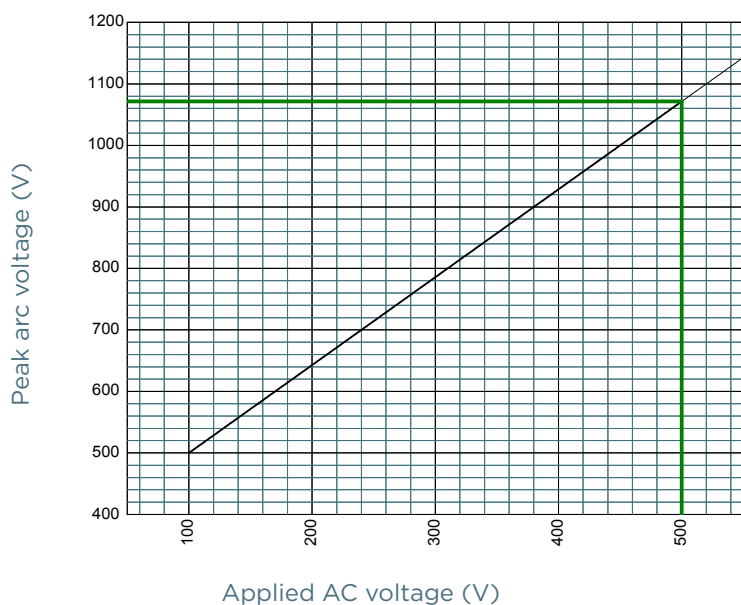


PEAK ARC VOLTAGE

Size 32 550V

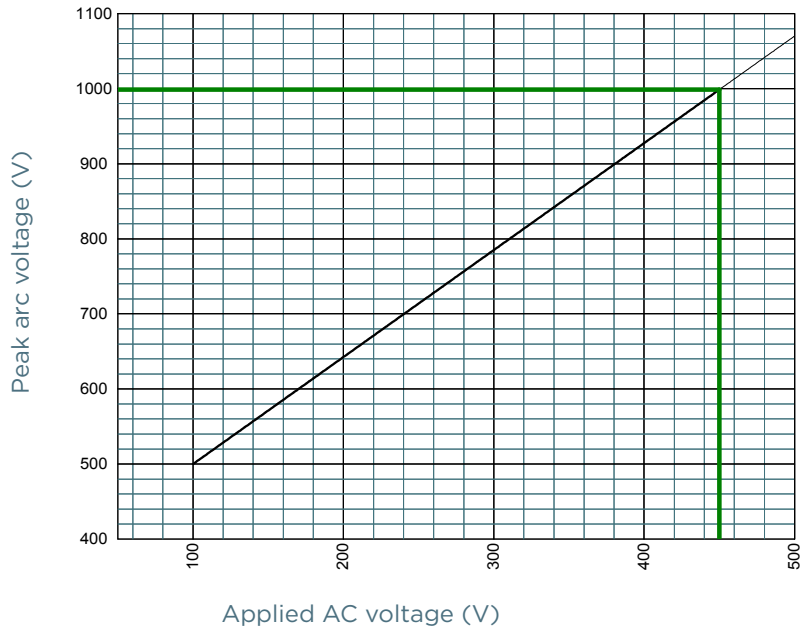


Size 32 500V



PEAK ARC VOLTAGE

Size 32 450V

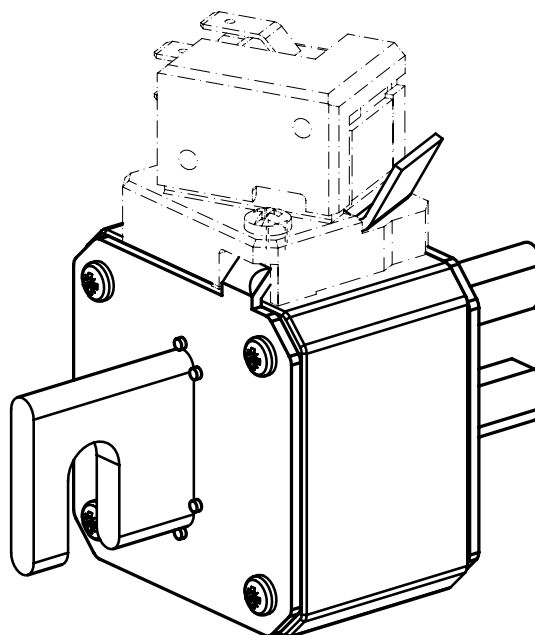
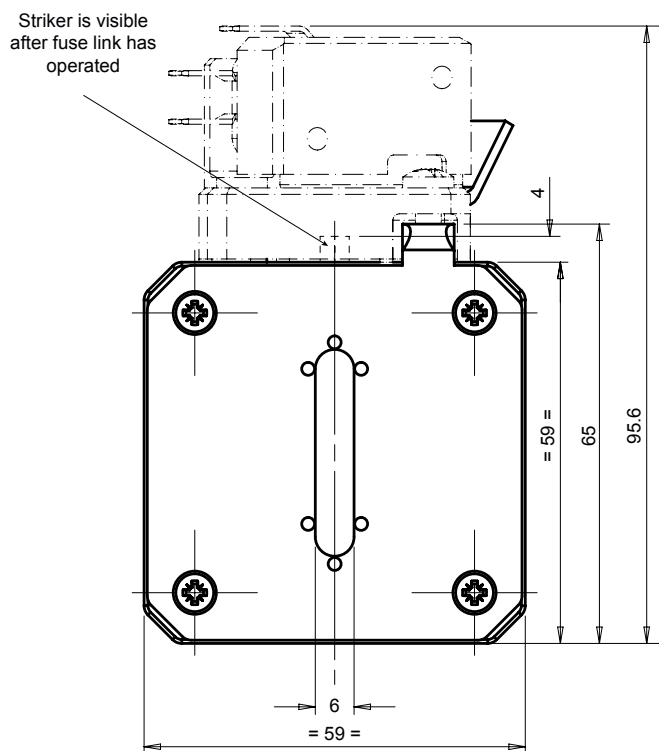
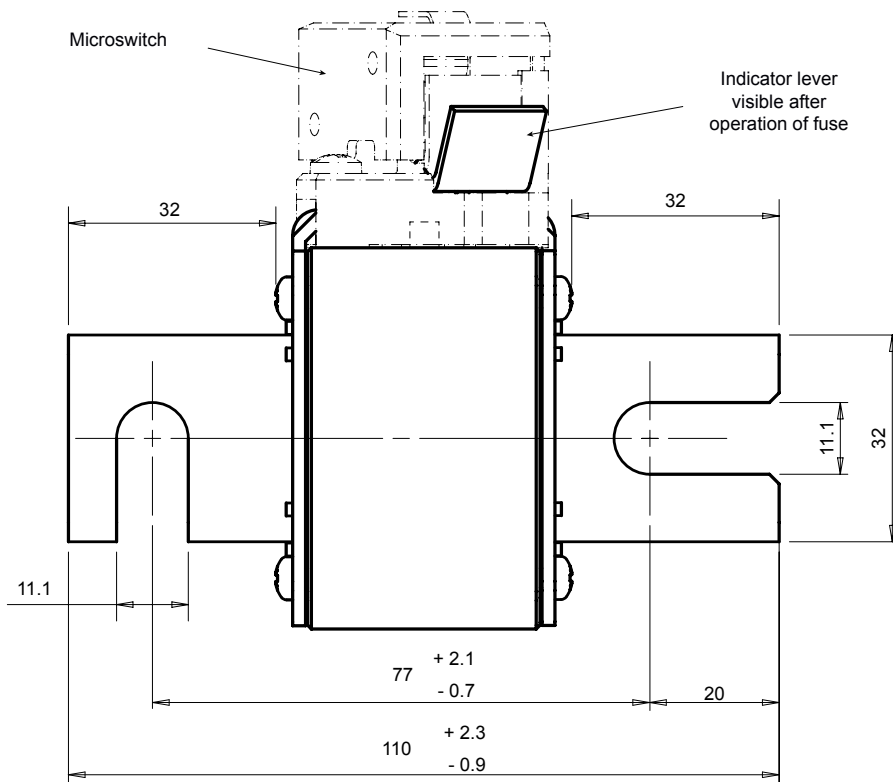


Protistor® size 32 aR

450 to 690VAC (IEC) / 700VAC (UL)

DIMENSIONS

Size 32 type DIN 80 (102923)



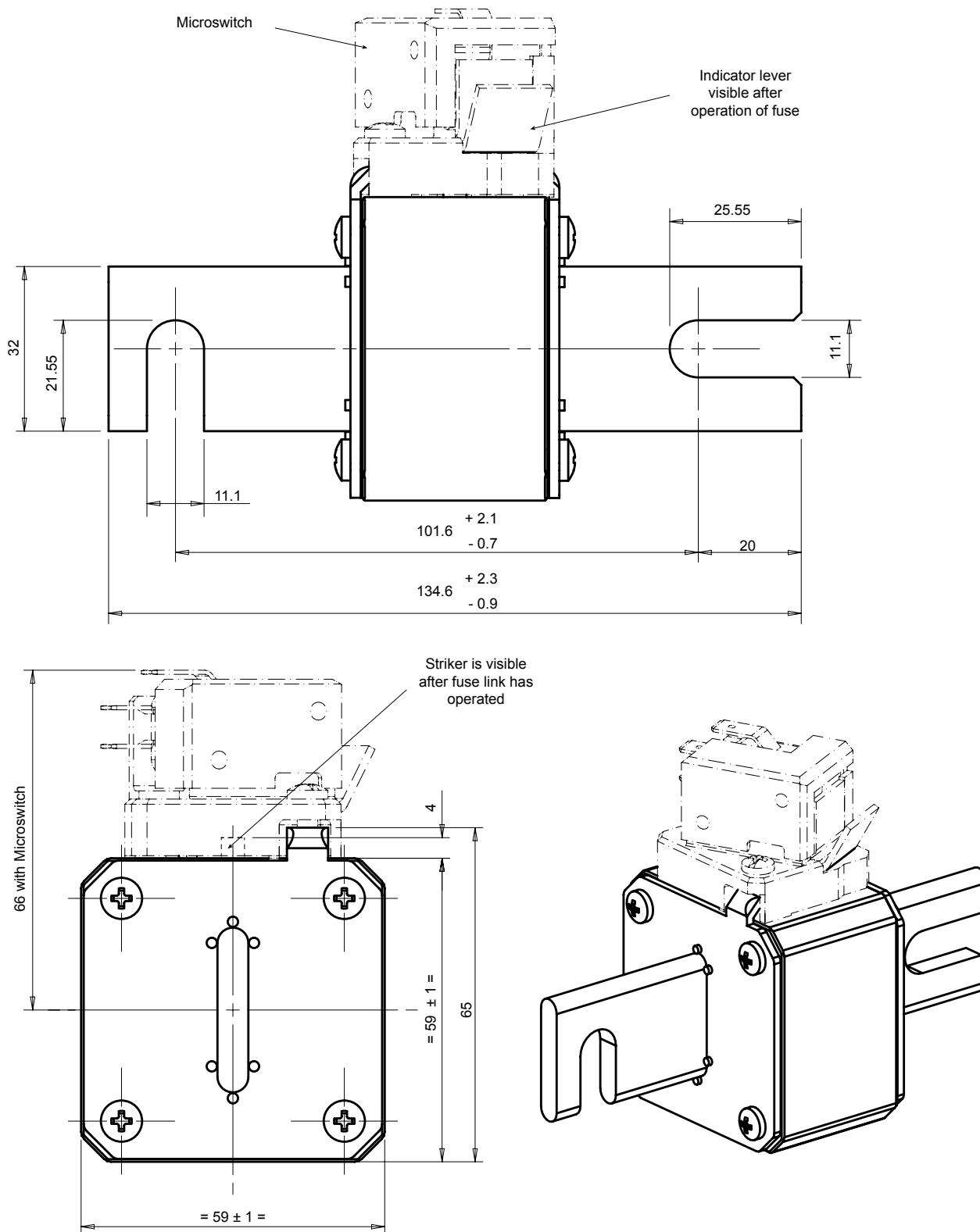
Dimensions in mm

Protistor® size 32 aR

450 to 690VAC (IEC) / 700VAC (UL)

DIMENSIONS

Size 32 type DIN 110 (102922)



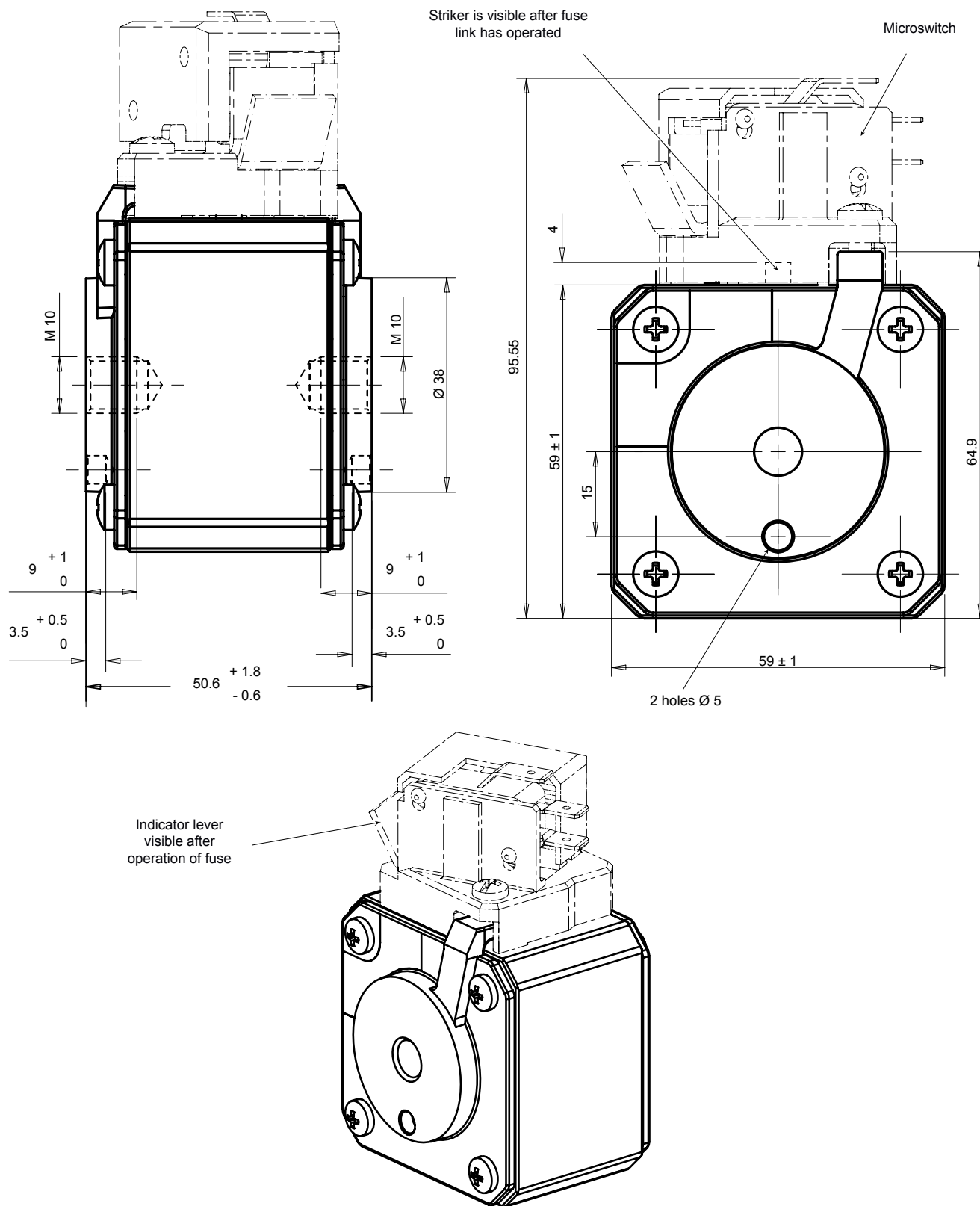
MERSEN reserves the right to change, update or correct, without notice, any information contained in this datasheet.

Protistor® size 32 aR

450 to 690VAC (IEC) / 700VAC (UL)

DIMENSIONS

Size 32 type TTF (102756)



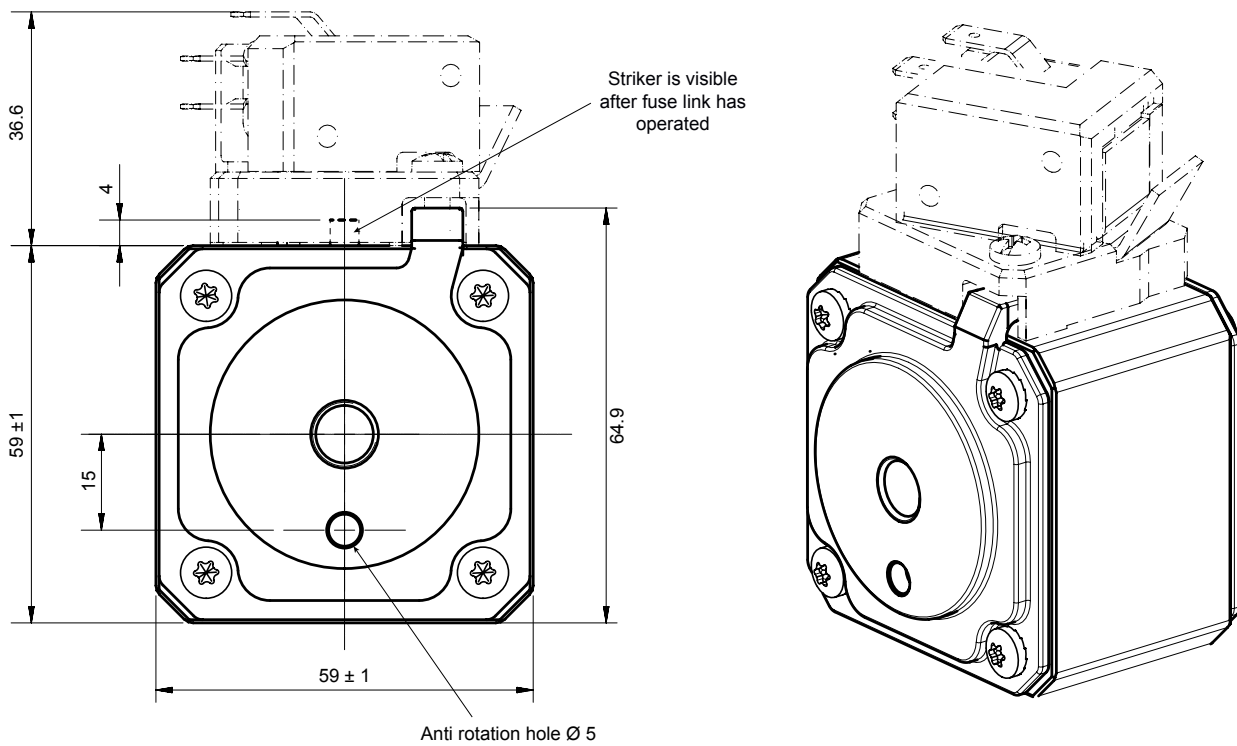
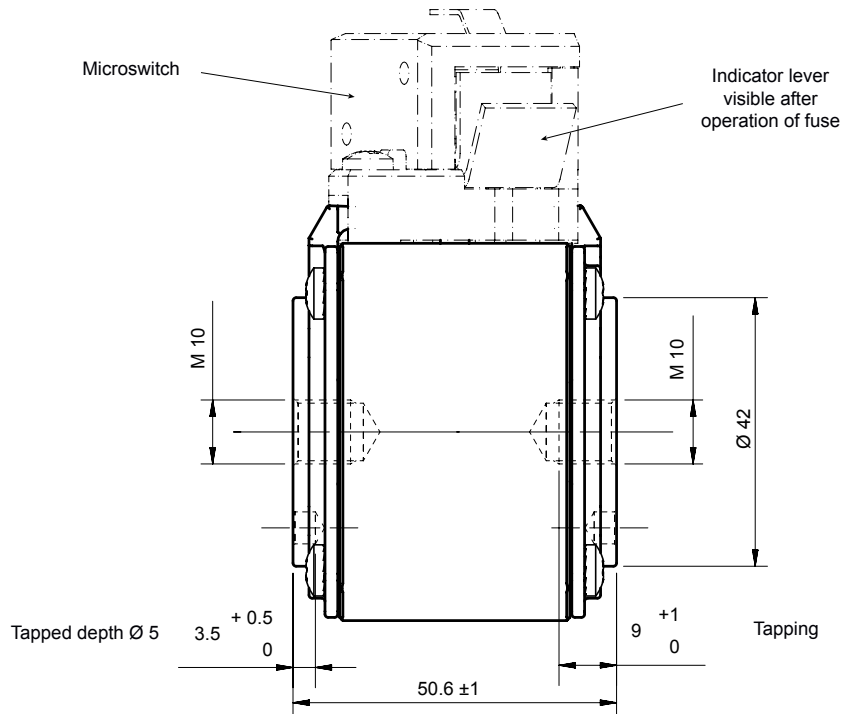
Dimensions in mm

Protistor® size 32 aR

450 to 690VAC (IEC) / 700VAC (UL)

DIMENSIONS

Size 32 type TTF reinforced (108188)



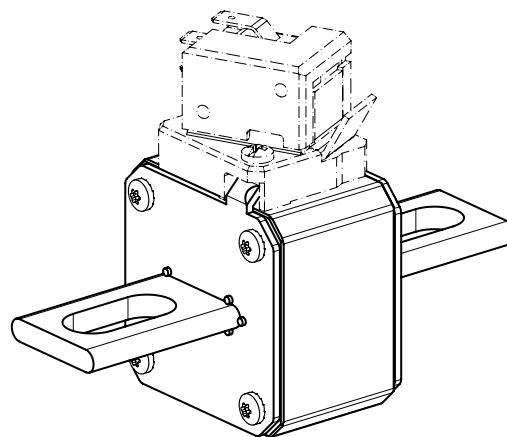
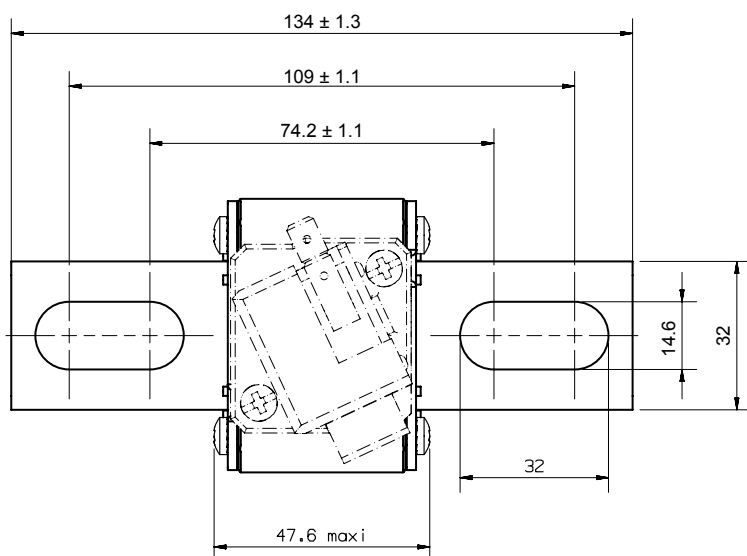
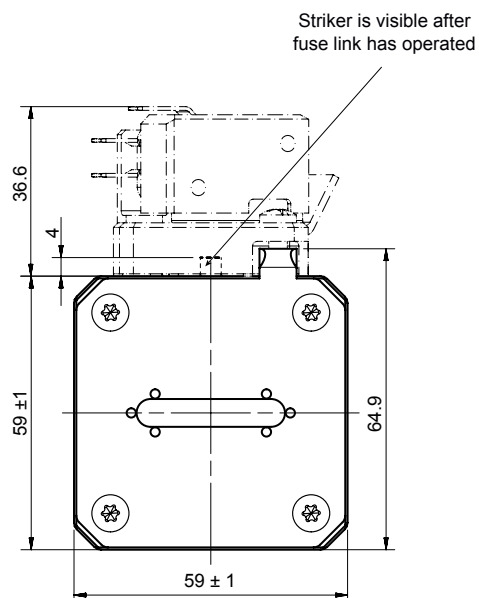
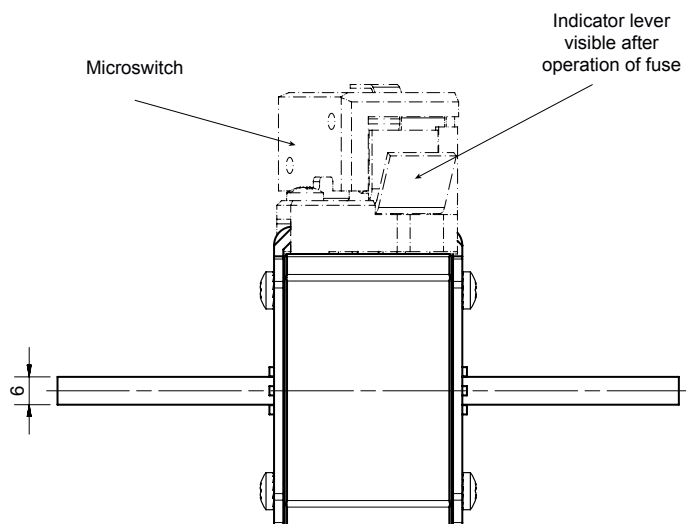
Dimensions in mm

Protistor® size 32 aR

450 to 690VAC (IEC) / 700VAC (UL)

DIMENSIONS

Size 32 type KI (102925)



Dimensions in mm

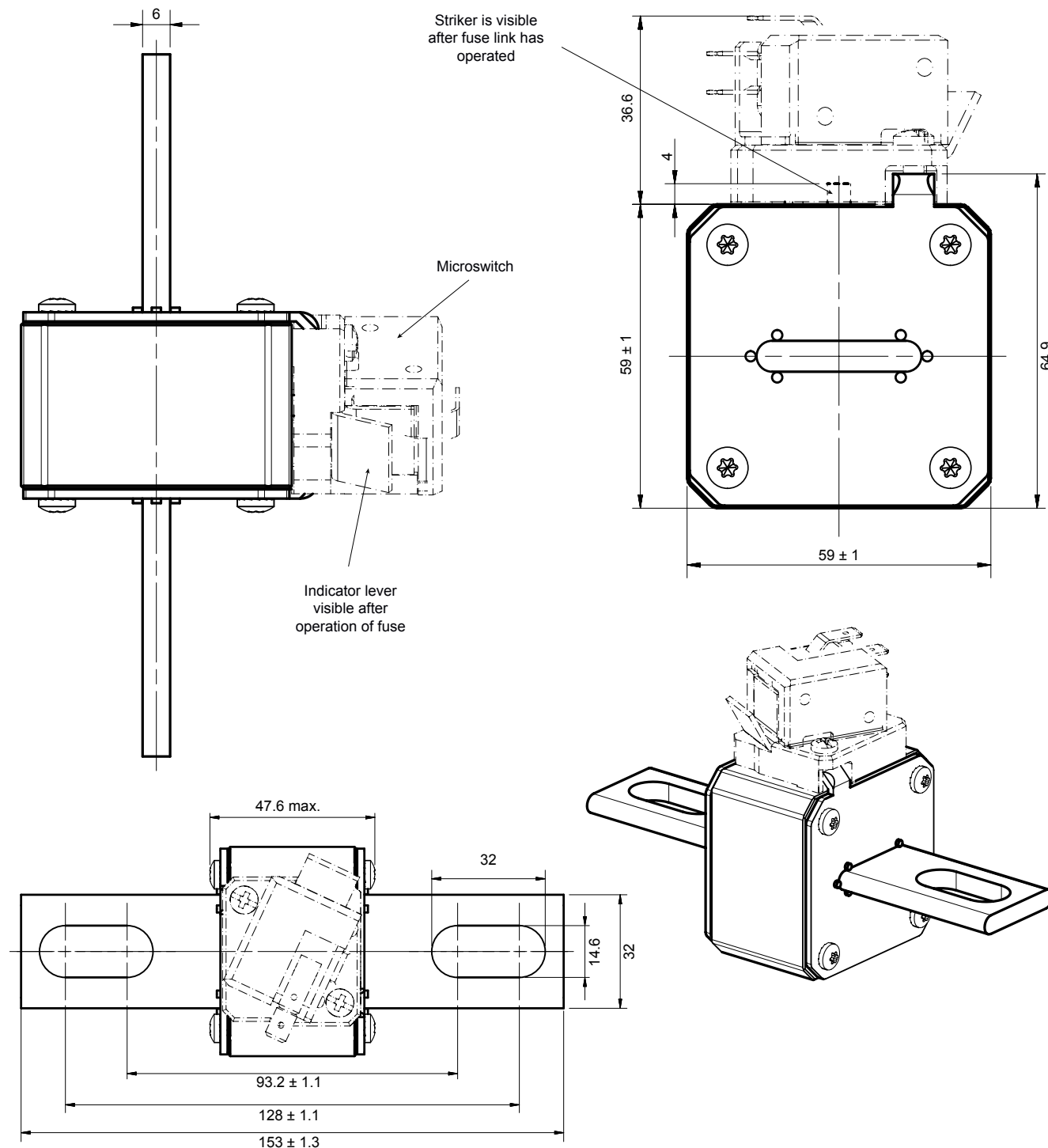
MERSEN reserves the right to change, update or correct, without notice, any information contained in this datasheet.

Protistor® size 32 aR

450 to 690VAC (IEC) / 700VAC (UL)

DIMENSIONS

Size 32 type LI (102926)



Dimensions in mm

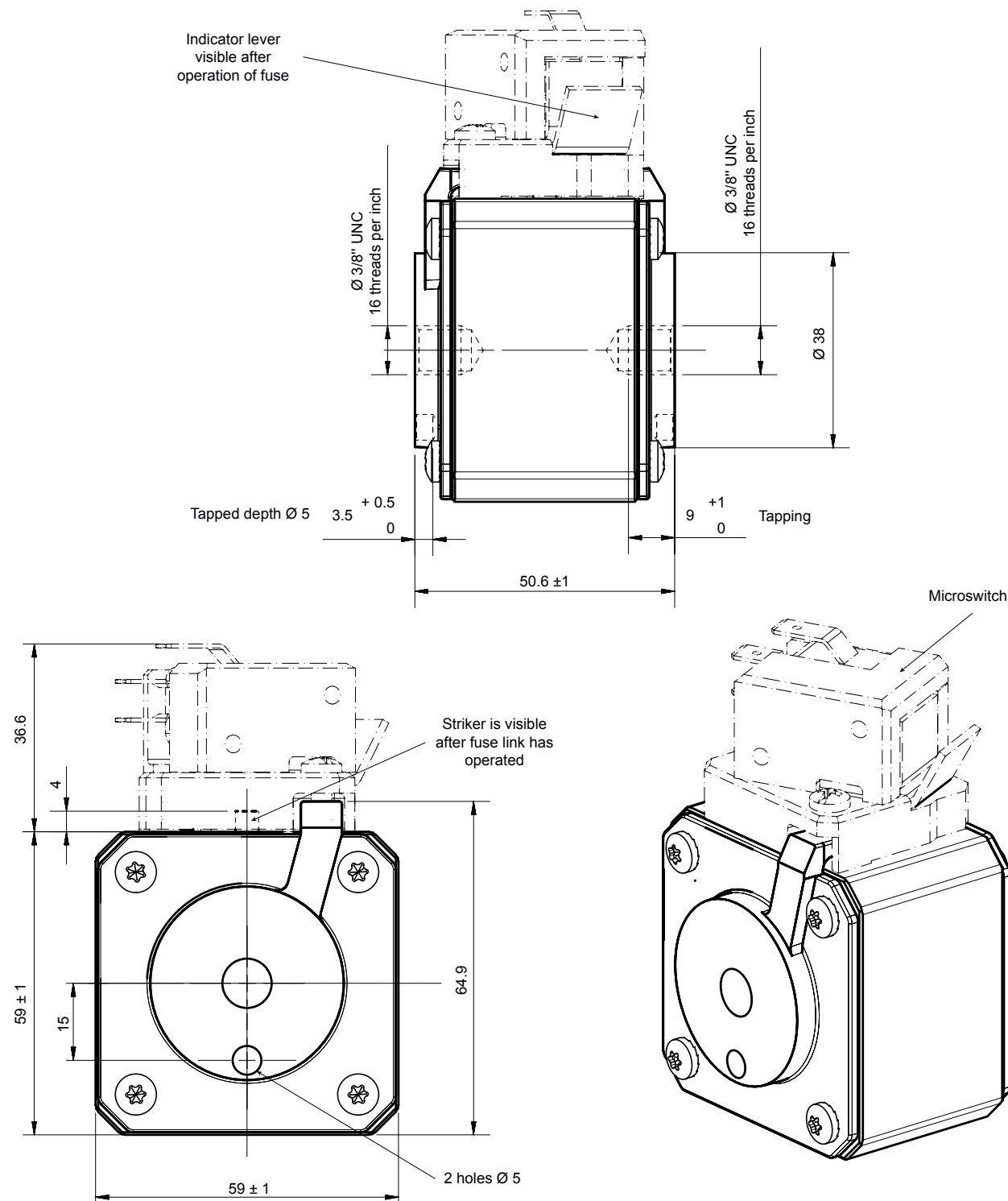
MERSEN reserves the right to change, update or correct, without notice, any information contained in this datasheet.

Protistor® size 32 aR

450 to 690VAC (IEC) / 700VAC (UL)

DIMENSIONS

Size 32 type TTI (107302)



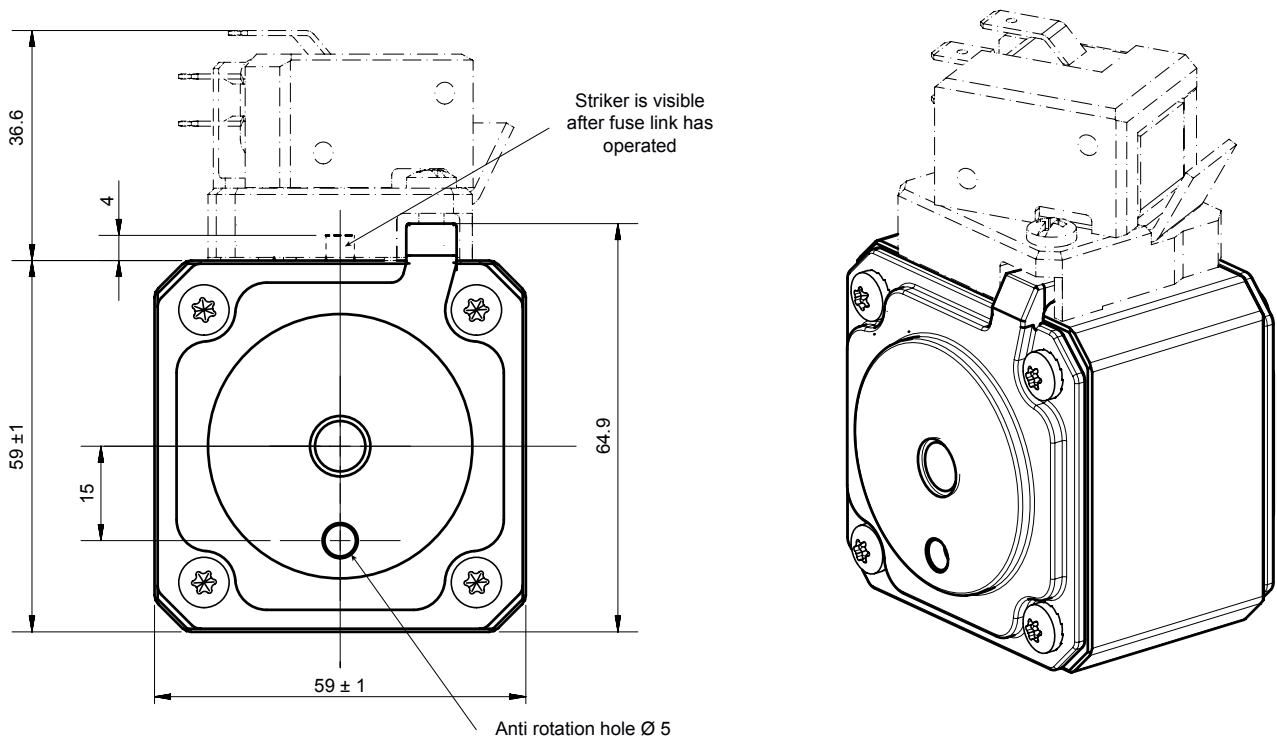
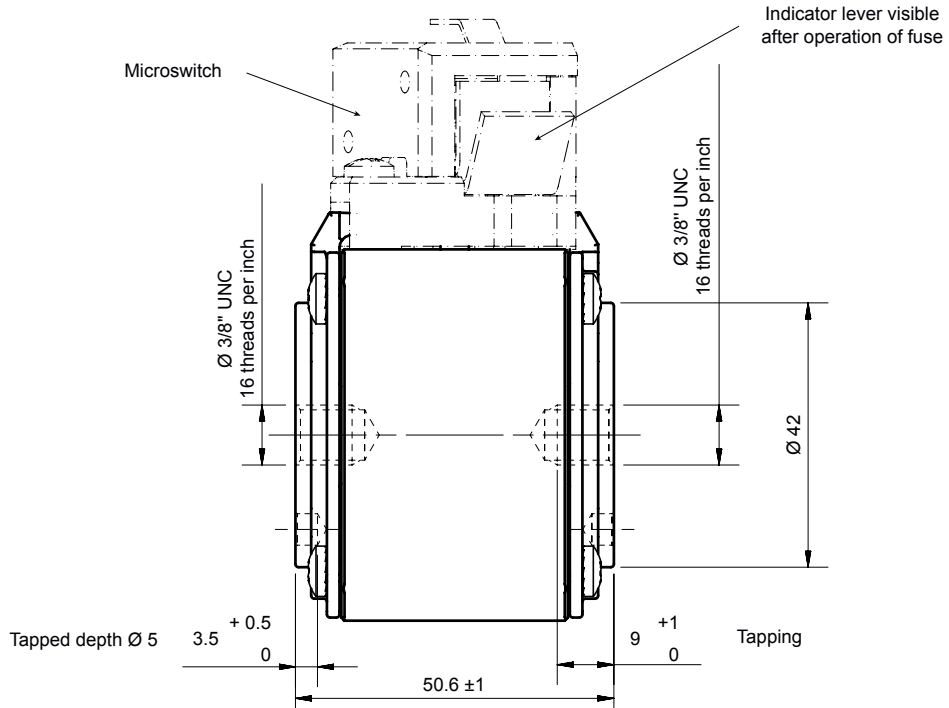
Dimensions in mm

Protistor® size 32 aR

450 to 690VAC (IEC) / 700VAC (UL)

DIMENSIONS

Size 32 type TTI reinforced (108833)



Dimensions in mm

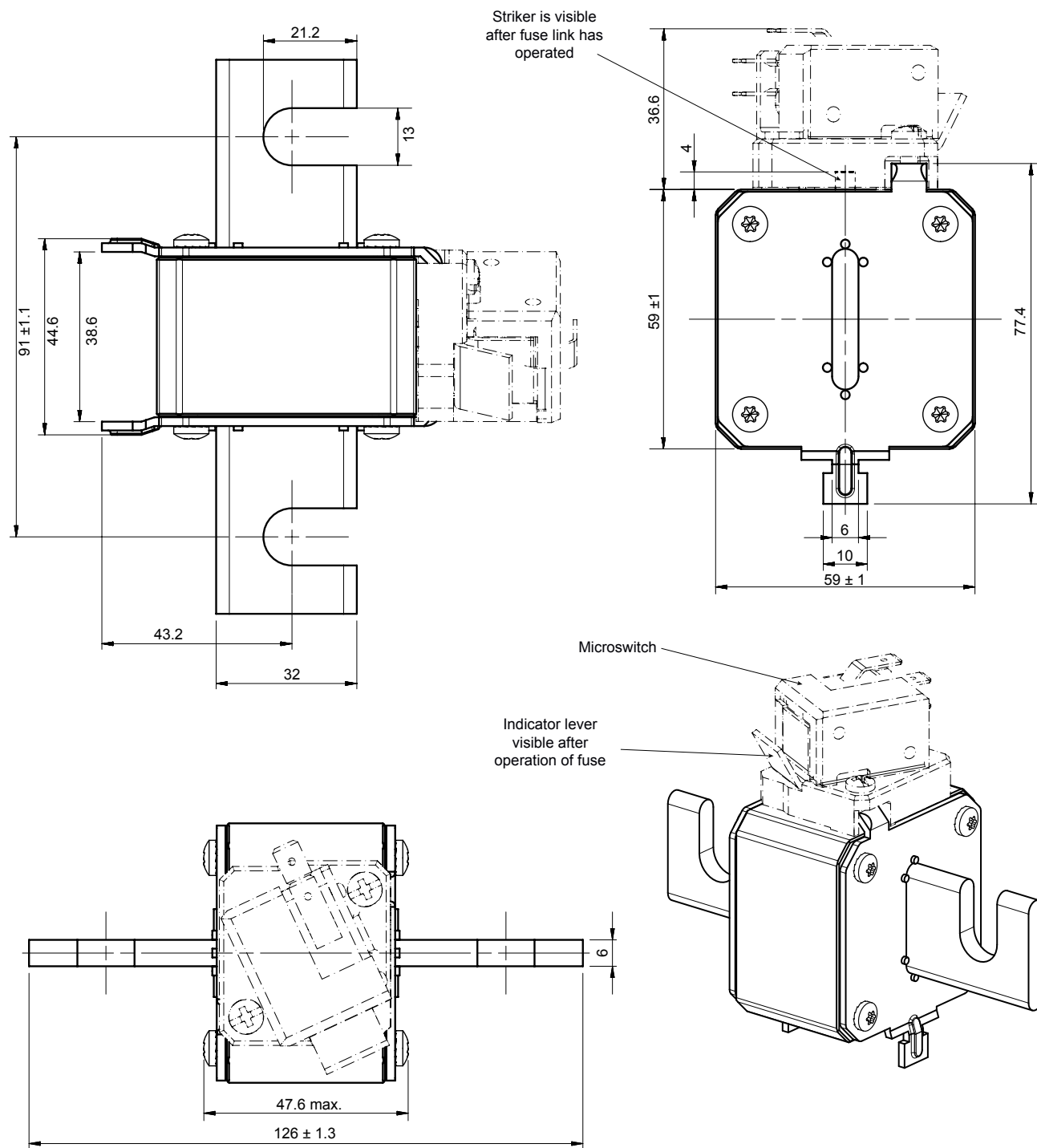
MERSEN reserves the right to change, update or correct, without notice, any information contained in this datasheet.

Protistor® size 32 aR

450 to 690VAC (IEC) / 700VAC (UL)

DIMENSIONS

Size 32 type EF (102924)



Dimensions in mm