

42MC05 Stepper Motor

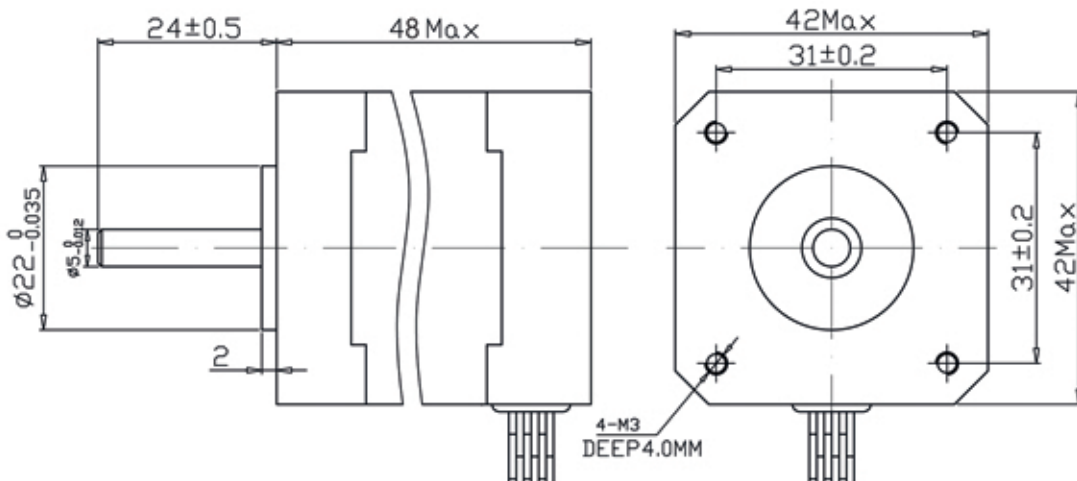
GENERAL SPECIFICATIONS

ITEM	VALUE
Step Angle	1.8 °
Step Angle Accuracy	±5% (full step, no load)
Resistance Accuracy	±10%
Inductance Accuracy	±20%
Temperature Rise	80 °C Max.(rated current, 2 phase on)
Ambient Temperature	-20 °C ~ +50 °C
Insulation Resistance	100 MΩ Min., 500VDC
Dielectric Strength	500 VAC for one minute

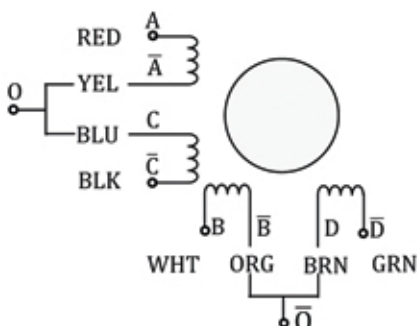
TECHNICAL SPECIFICATIONS

MODEL	CURRENT	RESISTANCE	INDUCTANCE	HOLDING TORQUE	DETENT TORQUE	ROTOR INERTIA	LEAD WIRE	WEIGHT	LENGTH
	A/φ	Ω/φ	mH/φ	N.cm	N.cm	g.cm ²	Pin	Kg	mm
42MC05	1.7			50		54	8	0.28	48

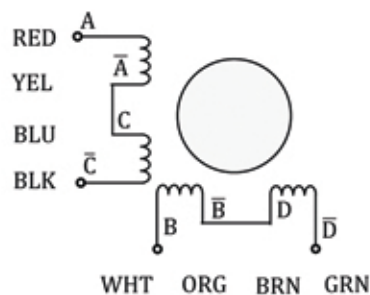
MECHANICAL DIMENSION



Wiring Diagram (unipolar)



Wiring Diagram (bipolar-series)



Wiring Diagram (bipolar-parallel)

