

# 86MC45 Stepper Motor

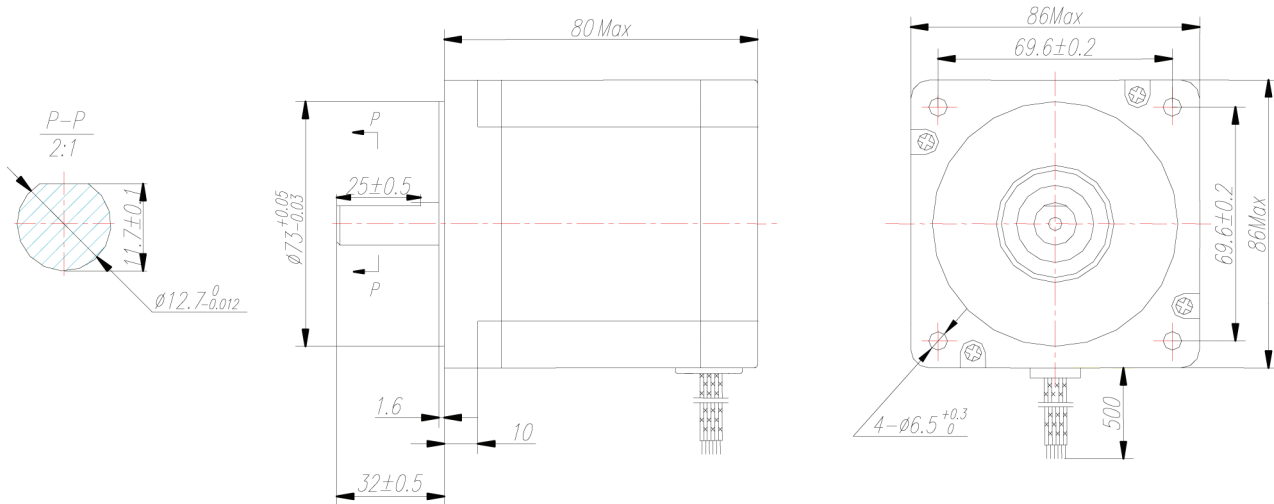
## GENERAL SPECIFICATIONS

ITEM	VALUE
Step Angle	1.8 °
Step Angle Accuracy	± 5% (full step, no load)
Resistance Accuracy	± 10%
Inductance Accuracy	± 20%
Temperature Rise	80 °C Max.(rated current, 2 phase on)
Ambient Temperature	-20 °C ~ +50 °C
Insulation Resistance	100 MΩ Min., 500VDC
Dielectric Strength	820VAC, 1s, 3mA
Shaft Radial Play	0.02 Max. (450 g-load)
Shaft Axial Play	0.08 Max. (450 g-load)
Max. Radial Force	220 N (20 mm from the flange)
Max. Axial Force	60 N

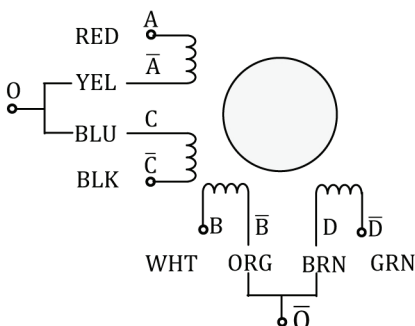
## TECHNICAL SPECIFICATIONS

MODEL	WIRE CONNECTION	CURRENT	RESISTANCE	INDUCTANCE	HOLDING TORQUE	DETENT TORQUE	ROTOR INERTIA	LEAD WIRE	MASS	LENGTH
		A/∅	Ω/∅	mH/∅	N.cm	N.cm	g.cm <sup>2</sup>	Pin	Kg	mm
86MC45	Bipolar-Parallel	5.6	0.4	3.2	450	6.5	1050	8	2.5	80
	Bipolar-Series	2.8	1.6	12.8	450					
	Unipolar	4.0	0.8	3.2	320					

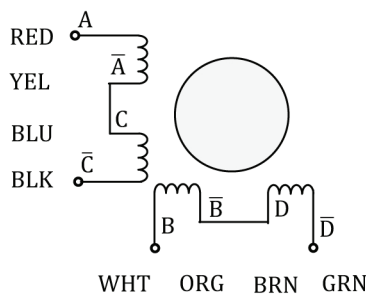
## MECHANICAL DIMENSION



Wiring Diagram (unipolar)



Wiring Diagram (bipolar-series)



Wiring Diagram (bipolar-parallel)

