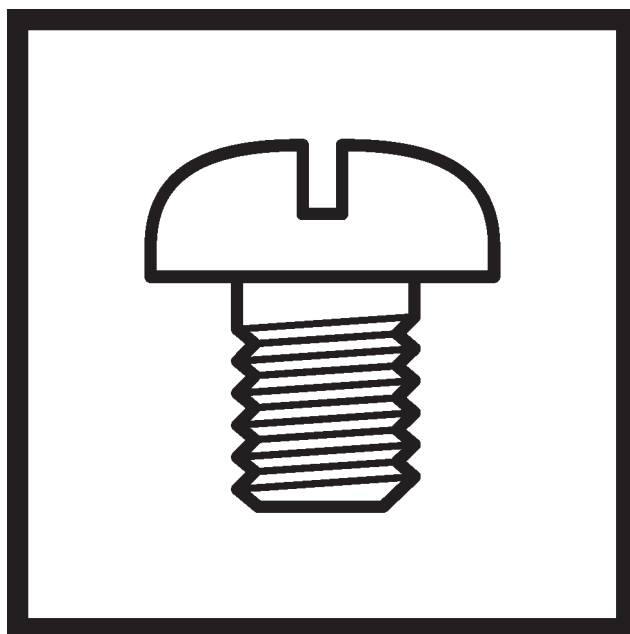


# S-7220B

パーツブック  
PARTS BOOK

---

本縫針送りダイレクトドライブ自動糸切りミシン  
SINGLE NEEDLE DIRECT DRIVE NEEDLE FEED LOCK STITCHER  
WITH THREAD TRIMMER

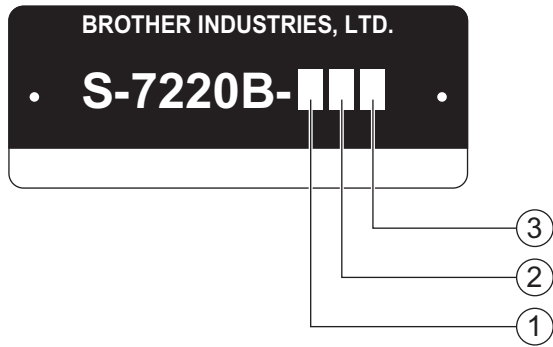


---

**brother**<sup>®</sup>

最新の部品情報は Parts Navigation でご覧いただけます。 <http://partsbook.brother.co.jp/partsnavi/jpn/>  
The latest parts information, refer to the Parts Navigation. <http://partsbook.brother.co.jp/partsnavi/eng/>

## 型式板の見方

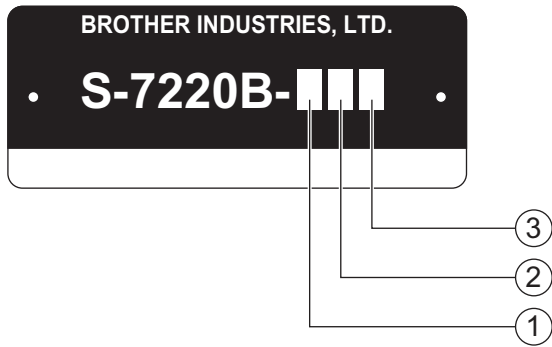


① — 4: 糸切り + 逆転 + 糸払い

② — 0: 微量給油タイプ  
3: セミドライタイプ

③ — 3: 中厚物用  
5: 厚物用

## Description of model plate



① — 4: Thread Trimmer + Quick Reverse + Thread Wiper

② — 0: Minimum lubrication type  
3: Semi dry type

③ — 3: Medium-weight materials  
5: Heavy-weight materials

# パーツブックご利用に際して

1. この本は、2006年05月のデータに基づいて作成されたものです。
2. 部品は予告なしに設計変更される場合があります。
3. 組単位で補給する部品は、破線で示してあります。

## 目 次

|                            |    |
|----------------------------|----|
| A. 主体関係 .....              | 1  |
| B. 針棒・天秤関係 .....           | 3  |
| C. 針送り関係 .....             | 7  |
| D. 押え関係 .....              | 11 |
| E. 送り関係 .....              | 13 |
| F. 膝上げ関係 .....             | 19 |
| G. 逆転関係 .....              | 21 |
| H. かま関係 .....              | 23 |
| J. 給油潤滑関係 .....            | 25 |
| K. 糸通し関係 .....             | 29 |
| L. 糸巻関係 .....              | 31 |
| M. 糸切り関係 .....             | 33 |
| N. 糸緩め関係 .....             | 37 |
| P. 糸払い関係 .....             | 39 |
| Q1. コントロールボックス、モータ関係 ..... | 41 |
| Q2. コントロールボックス関係 .....     | 43 |
| Q3. コントロールボックス関係 .....     | 45 |
| R. 逆転スイッチ関係 .....          | 47 |
| S. 電装品関係 .....             | 49 |
| T. オプション部品 .....           | 51 |
| Z. 付属品関係 .....             | 53 |
| Sp. 仕様別部品一覧表 .....         | 55 |
| Ga. ゲージ部品一覧表 .....         | 57 |
| Wa. 警告ラベル .....            | 61 |
| 索引 .....                   | 62 |

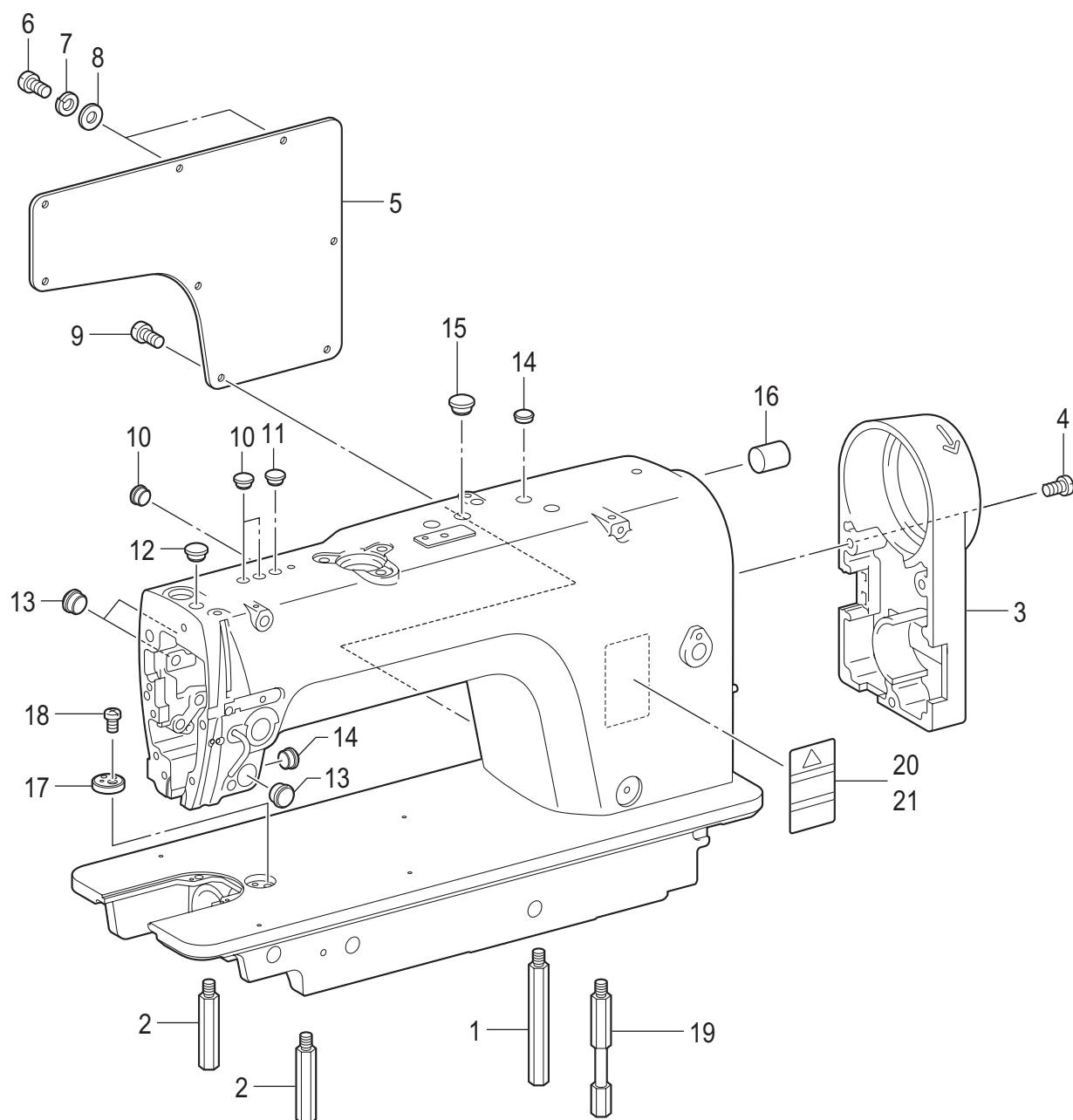
# Notes for using this parts book

1. This book was prepared based on information available in May 2006.
2. Parts are subject to changes in design without prior notice.
3. Parts supplied as complete assemblies are circled by a dotted line.

## CONTENTS

|  |    |
|--|----|
| A. Machine body .....                            | 1  |
| B. Needle bar and thread take-up mechanism ..... | 3  |
| C. Needle feed mechanism .....                   | 7  |
| D. Presser foot mechanism .....                  | 11 |
| E. Feed mechanism .....                          | 13 |
| F. Knee lifter mechanism .....                   | 19 |
| G. Quick reverse mechanism .....                 | 21 |
| H. Rotary hook mechanism .....                   | 23 |
| J. Lubrication .....                             | 25 |
| K. Threading mechanism .....                     | 29 |
| L. Bobbin winder mechanism .....                 | 31 |
| M. Thread trimmer mechanism .....                | 33 |
| N. Tension release mechanism .....               | 37 |
| P. Thread wiper mechanism .....                  | 39 |
| Q1. Control box and motor mechanism .....        | 41 |
| Q2. Control box mechanism .....                  | 43 |
| Q3. Control box mechanism .....                  | 45 |
| R. Quick reverse switch mechanism .....          | 47 |
| S. Power supply equipment mechanism .....        | 49 |
| T. Option parts .....                            | 51 |
| Z. Accessories .....                             | 53 |
| Sp. Different parts list .....                   | 55 |
| Ga. Gauge parts list .....                       | 57 |
| Wa. Warning labels .....                         | 61 |
| Index .....                                      | 62 |

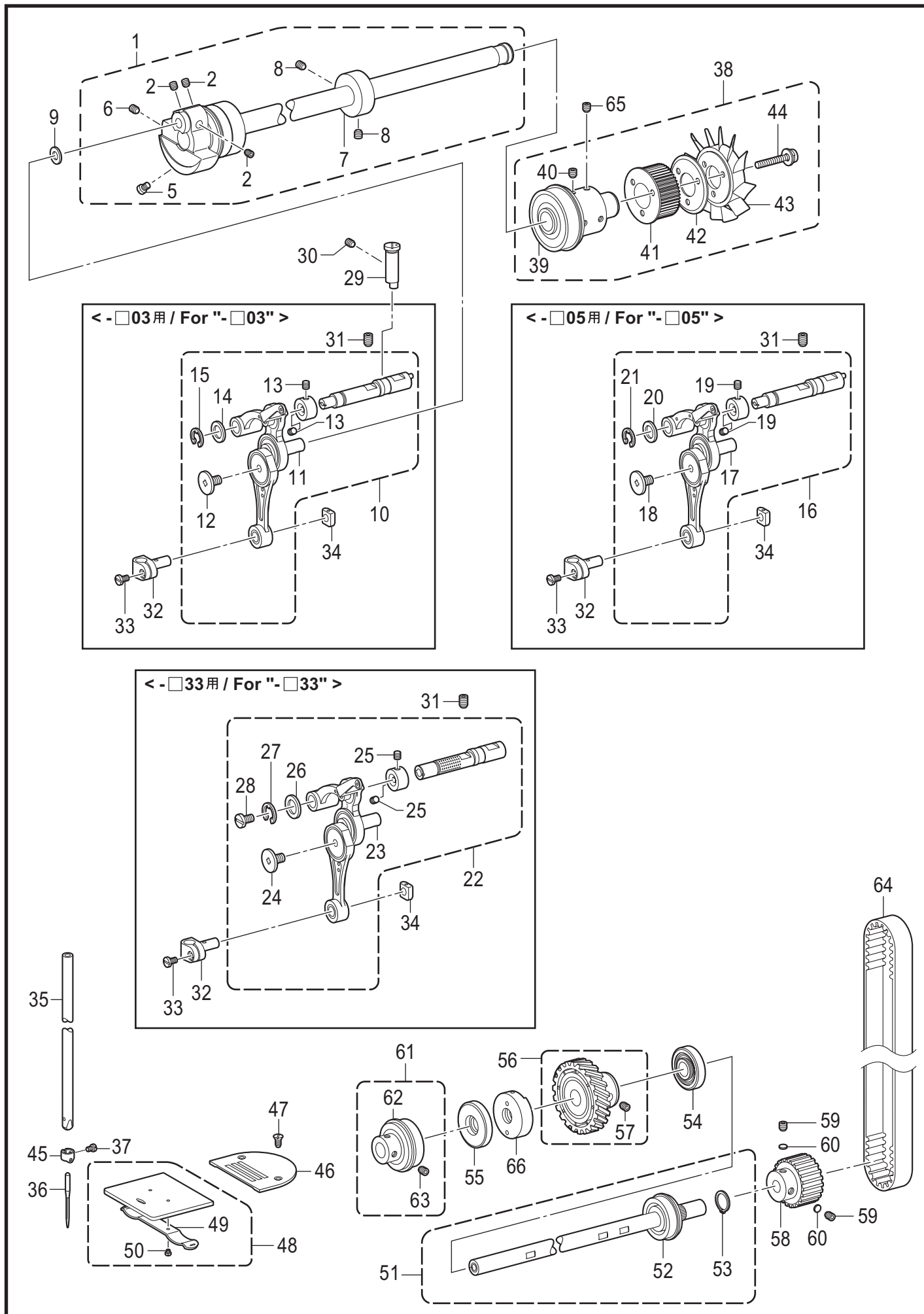
A . 主体関係 / Machine body



## A. 主体関係 / Machine body

| REF.NO | CODE      | Q'TY | 品名            | NAME OF PARTS          | RM |
|--------|-----------|------|---------------|------------------------|----|
| 1      | SA1106001 | 1    | キヤクチュウR       | STAND R                |    |
| 2      | SA1107001 | 2    | キヤクチュウL       | STAND L                |    |
| 3      | SA4259001 | 1    | モータカバー        | MOTOR COVER            |    |
| 4      | 062501216 | 3    | ナベコ5X12       | SCREW PAN M5X12        |    |
| 5      | SA7336001 | 1    | ガワイタ          | SIDE PLATE             |    |
| 6      | 062501816 | 2    | ナベコ5X18       | SCREW, PAN M5X18       |    |
| 7      | 028050246 | 2    | バネザガネ2-5      | WASHER SPRING 2-5      |    |
| 8      | 025050236 | 2    | ヒラザガネチュウ5     | WASHER PLAIN M 5       |    |
| 9      | 062501216 | 6    | ナベコ5X12       | SCREW PAN M5X12        |    |
| 10     | 104450101 | 3    | ゴムセン8         | RUBBER CAP, 8          |    |
| 11     | S32263001 | 1    | ゴムセン8.5       | RUBBER CAP, 8.5        |    |
| 12     | S12717000 | 1    | ゴムセン11.5      | RUBBER CAP, 11.5       |    |
| 13     | 104449001 | 3    | ゴムセン15.5      | RUBBER CAP, 15.5       |    |
| 14     | 117936001 | 2    | ゴムセン9.4       | RUBBER CAP, 9.4        |    |
| 15     | 159150000 | 1    | ゴムセン20.5      | RUBBER CAP, 20.5       |    |
| 16     | SA7814001 | 1    | ゴムセン 20       | RUBBER CAP 20          |    |
| 17     | S09621151 | 1    | ジヨウギイタ        | RULER PLATE            |    |
| 18     | 062400616 | 1    | ナベコ4X6        | SCREW PAN M4X6         |    |
| 19     | SA2170001 | 1    | キヤクチュウRF      | STAND RF               |    |
|        |           |      | <日本向>         | <For Japan only>       |    |
| 20     | SA2040001 | 1    | ラベルチュウイ.ワエイ   | LABEL, CAUTION JPN/ENG |    |
|        |           |      | <日本向以外>       | <Except for Japan>     |    |
| 21     | SA2041001 | 1    | ラベルチュウイ.チュウエイ | LABEL, CAUTION CHN/ENG |    |

B. 針棒・天秤關係 / Needle bar and thread take-up mechanism

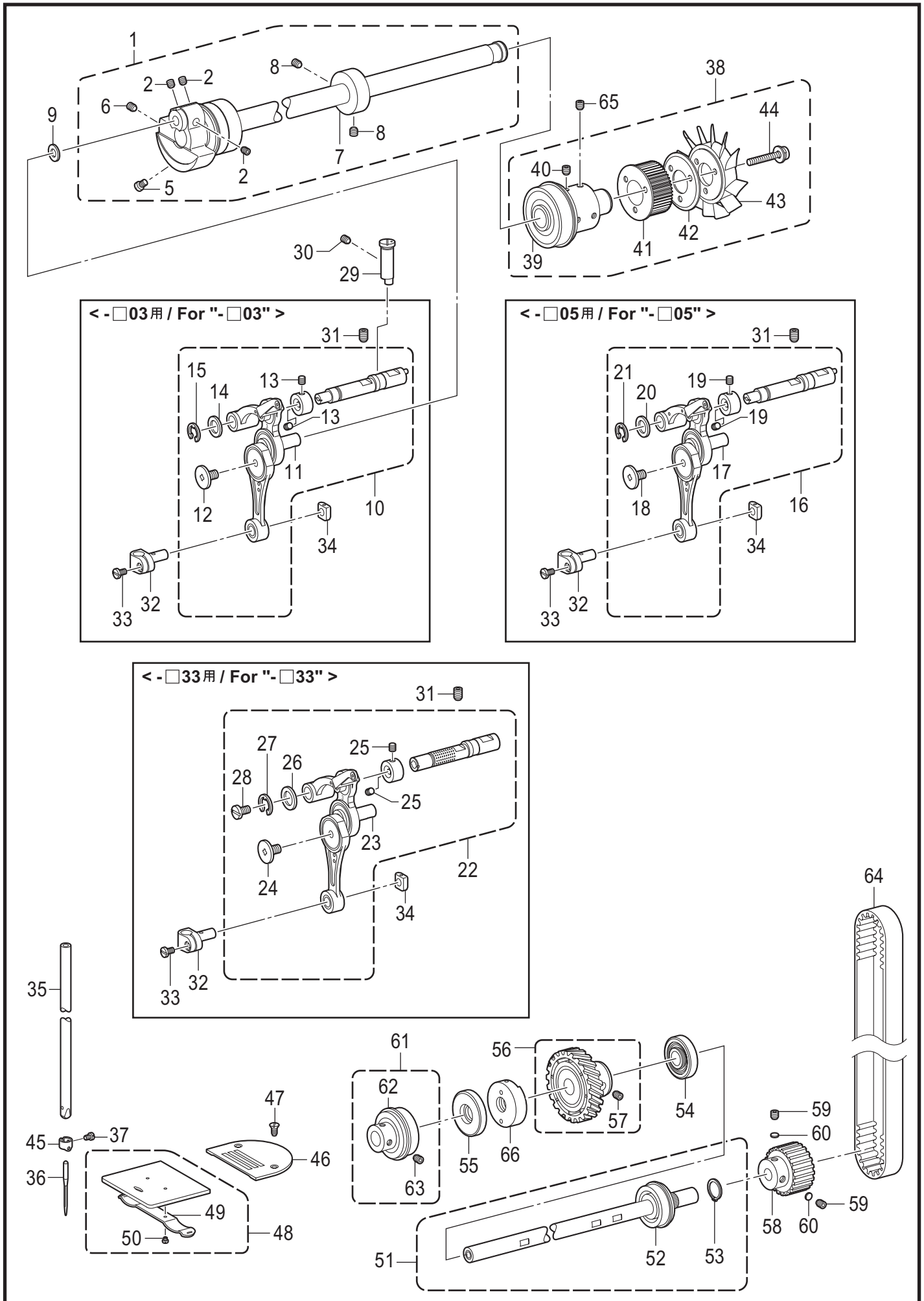




## B. 針棒・天秤関係 / Needle bar and thread take-up mechanism

| REF.NO | CODE      | Q'TY | 品名             | NAME OF PARTS                 | RM |
|--------|-----------|------|----------------|-------------------------------|----|
| 1      | SA7824001 | 1    | ウワジククミ         | UPPER SHAFT ASSY              |    |
| 2      | S23651001 | 3    | アナヒラ6X6ホソメ     | SET SCREW SOCKET (FT) M6X6    |    |
| 5      | S25235001 | 1    | シメネジ8          | SCREW M8                      |    |
| 6      | S25236001 | 1    | アナヒラ6X10ホソメ    | SET SCREW SOCKET (FT) M6X10   |    |
| 7      | SA1120001 | 1    | イトマキドウリン       | BOBBIN WINDER DRIVING WHEEL   |    |
| 8      | S23651001 | 2    | アナヒラ6X6ホソメ     | SET SCREW SOCKET (FT) M6X6    |    |
| 9      | 110367001 | 1    | ザガネ            | WASHER, PLAIN SPECIAL 8       |    |
|        |           |      | <-□03用>        | <For "-□03">                  |    |
| 10     | SA7351101 | 1    | ハリボウレンカンソウクミ   | NEEDLE BAR CONNECTING ROD SET |    |
| 11     | SA7628001 | 1    | ハリボウクランク       | NEEDLE BAR CRANK              |    |
| 12     | SA2422001 | 1    | シメネジ3.57L      | SCREW, SM3.57L                |    |
| 13     | 012400436 | 2    | アナヒラ4X4        | SET SCREW SOCKET (FT) M4X4    |    |
| 14     | SA2161001 | 1    | ザガネ            | WASHER                        |    |
| 15     | 048060342 | 1    | トメワE6          | RETAINING RING E6             |    |
|        |           |      | <-□05用>        | <For "-□05">                  |    |
| 16     | SA7353101 | 1    | ハリボウレンカンソウクミ   | NEEDLE BAR CONNECTING ROD SET |    |
| 17     | SA7626001 | 1    | ハリボウクランク       | NEEDLE BAR CRANK              |    |
| 18     | SA2422001 | 1    | シメネジ3.57L      | SCREW, SM3.57L                |    |
| 19     | 012400436 | 2    | アナヒラ4X4        | SET SCREW SOCKET (FT) M4X4    |    |
| 20     | SA2161001 | 1    | ザガネ            | WASHER                        |    |
| 21     | 048060342 | 1    | トメワE6          | RETAINING RING E6             |    |
|        |           |      | <-□33用>        | <For "-□33">                  |    |
| 22     | SA7355101 | 1    | ハリボウレンカンソウクミ   | NEEDLE BAR CONNECTING ROD SET |    |
| 23     | SA7628001 | 1    | ハリボウクランク       | NEEDLE BAR CRANK              |    |
| 24     | SA2422001 | 1    | シメネジ3.57L      | SCREW, SM3.57L                |    |
| 25     | 012400436 | 2    | アナヒラ4X4        | SET SCREW SOCKET (FT) M4X4    |    |
| 26     | SA2161001 | 1    | ザガネ            | WASHER                        |    |
| 27     | 048060342 | 1    | トメワE6          | RETAINING RING E6             |    |
| 28     | SA7654001 | 1    | シメネジM3X5       | SCREW M3X5                    |    |
| 29     | SA7239101 | 1    | ストッパーピン        | STOPPER PIN                   |    |
| 30     | 012500536 | 1    | アナヒラ5X5        | SET SCREW SOCKET (FT) M5X5    |    |
| 31     | 012061036 | 2    | アナヒラ6X10       | SET SCREW SOCKET (FT) M6X10   |    |
| 32     | SA7230001 | 1    | ハリボウダキ         | NEEDLE BAR CLAMP              |    |
| 33     | 140004001 | 1    | シメネジ3.57       | SCREW, SM3.57-40X7            |    |
| 34     | SA4344001 | 1    | ハリボウアンナイカクコマ   | NEEDLE BAR GUIDE SLIDE BLOCK  |    |
| 35     | * P. 55   | 1    | ハリボウ           | NEEDLE BAR                    |    |
| 36     | * P. 55   | 1    | ミシンハリ          | NEEDLE                        |    |
| 37     | 140553102 | 1    | アタマツキトメネジ3.18  | SET SCREW, SM3.18             |    |
| 38     | SA1140001 | 1    | ツギテソクミ         | JOINT UNIT                    |    |
| 39     | S38710001 | 1    | タマジクウケ6204ZZNR | BALL BEARING, 6204ZZNR        |    |
| 40     | S23651001 | 2    | アナヒラ6X6ホソメ     | SET SCREW SOCKET (FT) M6X6    |    |
| 41     | SA2250001 | 1    | タイミングプーリU      | TIMING PULLEY, U              |    |
| 42     | S38712001 | 1    | フランジ           | FLANGE                        |    |
| 43     | S38713100 | 1    | ファン            | FAN                           |    |
| 44     | SA2404001 | 3    | ナベザクミ4X35DB    | SCREW, PAN (S WASHER) M4X35   |    |
| 45     | 151594001 | 1    | ハリボウイトアンナイ     | NEEDL BAR THREAD GUIDE        |    |
| 46     | * P. 55   | 1    | ハリイタ           | NEEDLE PLATE                  |    |
| 47     | 151267001 | 2    | サラネジ4.37       | SCREW, FLAT SM4.37-40X8       |    |
| 48     | 180018151 | 1    | スベリイタクミ        | SLIDE PLATE ASSY              |    |
| 49     | 114561001 | 1    | スベリイタウラバネ      | SPRING, PLATE                 |    |
| 50     | 122771051 | 2    | シメネジ2.38       | SCREW, SM2.38                 |    |
| 51     | SA5278001 | 1    | シタジククミ         | LOWER SHAFT ASSY              |    |
| 52     | SA1145001 | 1    | タマジクウケ6301ZZNR | BALL BEARING, 6301ZZNR        |    |
| 53     | 048120142 | 1    | トメワジクヨウC12     | RETAINING RING EXTERNAL C12   |    |
| 54     | S25401100 | 1    | オイルシール         | OIL SEAL                      |    |

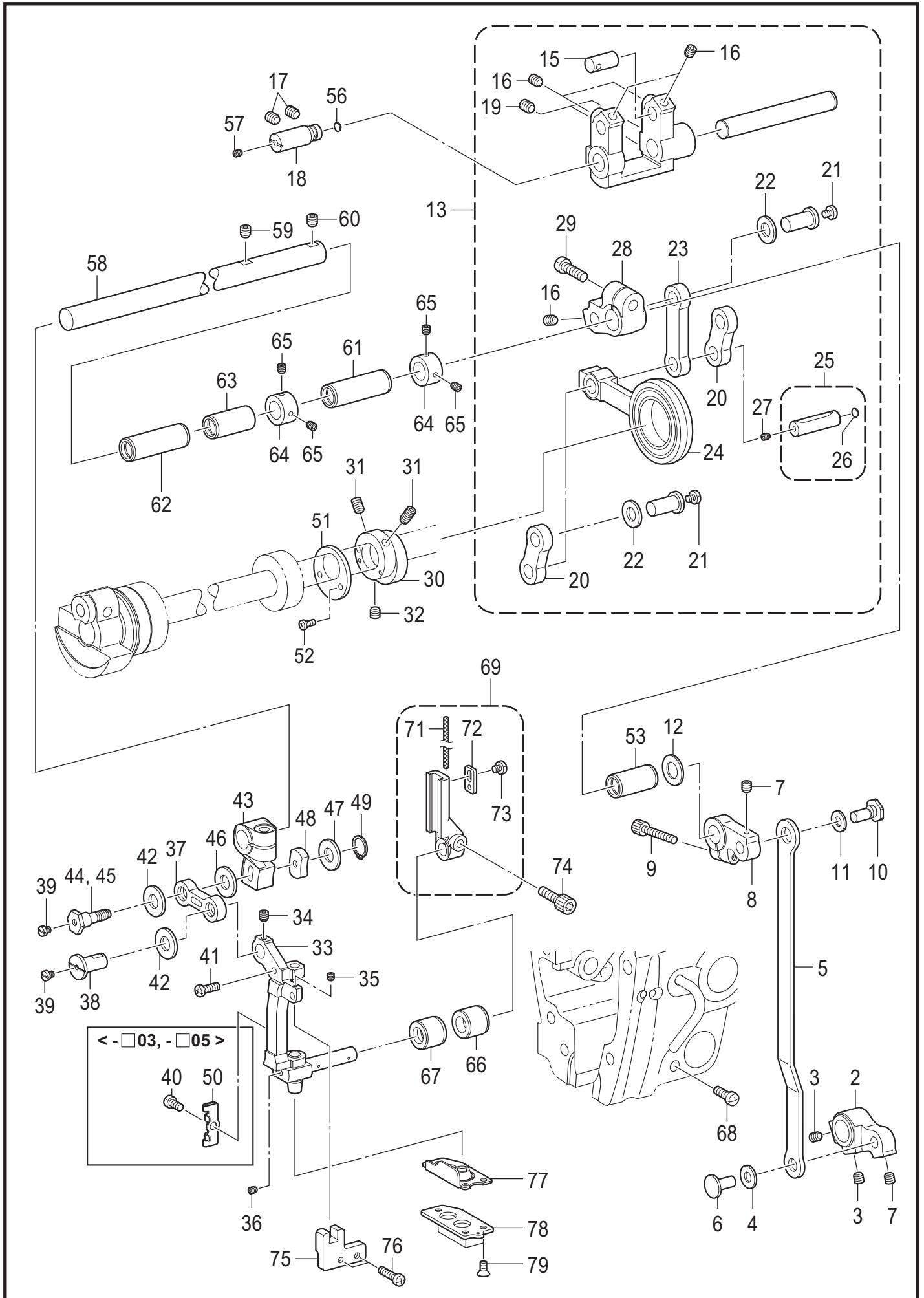
B. 針棒・天秤關係 / Needle bar and thread take-up mechanism



B. 針棒・天秤関係 / Needle bar and thread take-up mechanism

| REF.NO | CODE      | Q'TY | 品名             | NAME OF PARTS              | RM |
|--------|-----------|------|----------------|----------------------------|----|
| 55     | SA1317001 | 1    | オイルシール         | OIL SEAL                   |    |
| 56     | SA1166001 | 1    | シタジクギアクミ       | LOWER SHAFT GEAR ASSY      |    |
| 57     | S23651001 | 2    | アナヒラ6X6ホソメ     | SET SCREW SOCKET (FT) M6X6 |    |
| 58     | SA2251001 | 1    | タイミングプーリD      | TIMING PULLEY, D           |    |
| 59     | S23651001 | 2    | アナヒラ6X6ホソメ     | SET SCREW SOCKET (FT) M6X6 |    |
| 60     | SA2378001 | 2    | カンザ4.8         | SPACER,4.8                 |    |
| 61     | SA1150001 | 1    | ベアリングブツシュクミ    | BEARING BUSH ASSY          |    |
| 62     | S38707001 | 1    | タマジクウケ6004ZZNR | BALL BEARING, 6004ZZNR     |    |
| 63     | S23651001 | 2    | アナヒラ6X6ホソメ     | SET SCREW SOCKET (FT) M6X6 |    |
| 64     | SA2252001 | 1    | タイミングベルト       | TIMING BELT                |    |
| 65     | S23651001 | 2    | アナヒラ6X6ホソメ     | SET SCREW SOCKET (FT) M6X6 |    |
| 66     | SA2254101 | 1    | シタジクメタル        | LOWER SHAFT BUSH           |    |

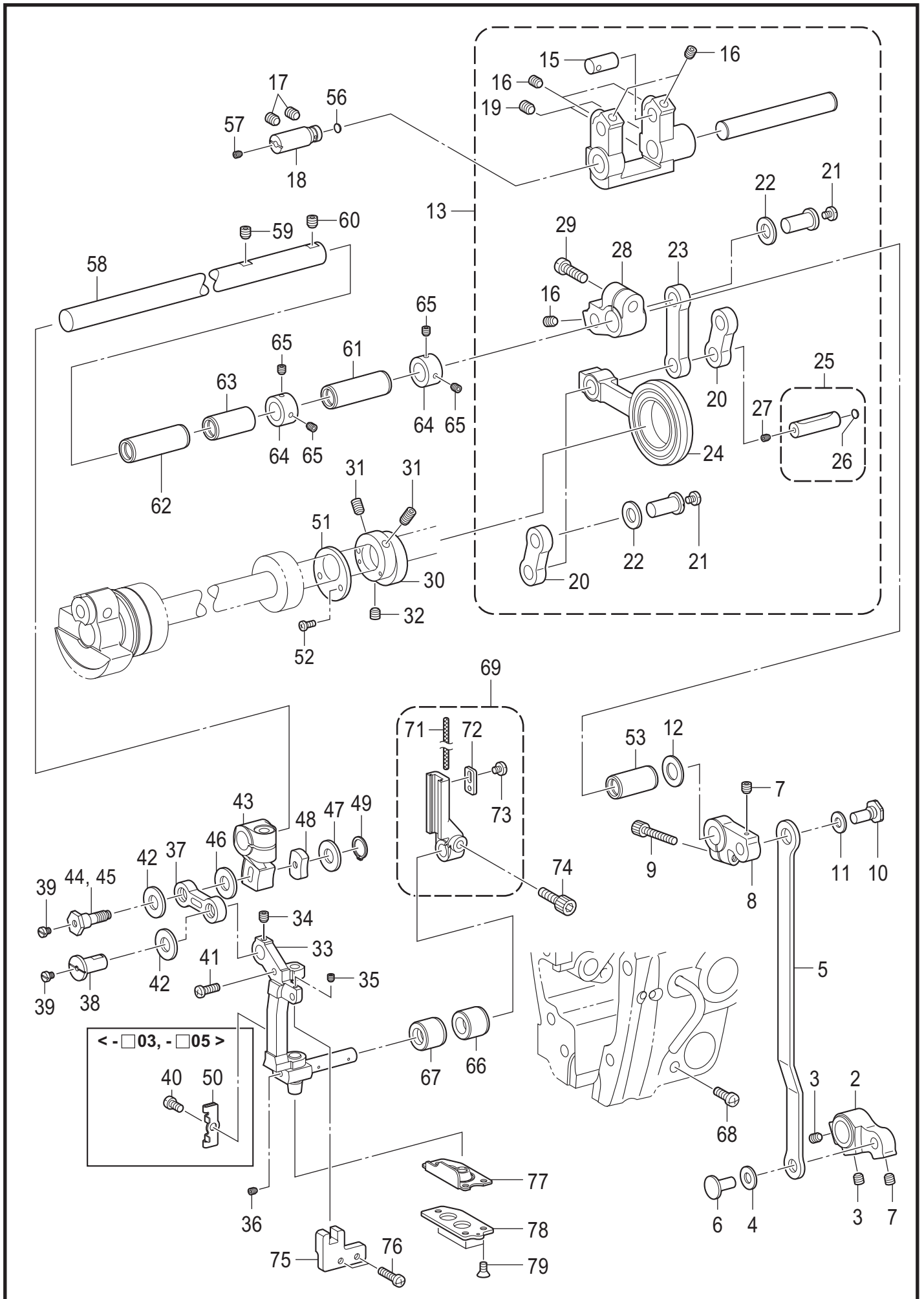
C. 針送り関係 / Needle feed mechanism



C. 針送り関係 / Needle feed mechanism

| REF.NO | CODE      | Q'TY | 品名             | NAME OF PARTS                | RM |
|--------|-----------|------|----------------|------------------------------|----|
| 2      | SA7358101 | 1    | ハリオクリキリカエキウデD  | N F REGULATOR ARM D          |    |
| 3      | S23651001 | 2    | アナヒラ6X6ホソメ     | SET SCREW SOCKET (FT) M6X6   |    |
| 4      | 110367001 | 1    | ザガネ            | WASHER, PLAIN SPECIAL 8      |    |
| 5      | SA7359101 | 1    | ハリオクリキリカエキレンカン | N F REGULATOR CONNECTING ROD |    |
| 6      | 151308102 | 1    | レンカンジク12.5     | STUD, 12.5                   |    |
| 7      | 012500536 | 2    | アナヒラ5X5        | SET SCREW SOCKET (FT) M5X5   |    |
| 8      | SA7361101 | 1    | ハリオクリキリカエキウデU  | N F REGULATOR ARM U          |    |
| 9      | 018501436 | 1    | アナボルト5X14      | BOLT SOCKET M5X14            |    |
| 10     | SA7725001 | 1    | キリカエウデヘンシンピン   | REGULATOR ARM ELECTRIC PIN   |    |
| 11     | 110367001 | 1    | ザガネ            | WASHER, PLAIN SPECIAL 8      |    |
| 12     | S20356001 | 1    | ヒラザガネ10        | WASHER, PLAIN 10             |    |
| 13     | SA7362301 | 1    | ハリオクリキリカエキソウクミ | NEEDLE FEED REGULATOR UNIT   |    |
| 15     | SA7364101 | 1    | キリカエキリンクジクS    | FEED REGULATOR LINK STUD S   |    |
| 16     | 012500536 | 7    | アナヒラ5X5        | SET SCREW SOCKET (FT) M5X5   |    |
| 17     | 012060536 | 2    | アナヒラ6X5        | SET SCREW, SOCKET (FT) M6X5  |    |
| 18     | SA7384101 | 1    | キリカエキササエクミ     | FEED REGULATOR SUPPORT ASSY  |    |
| 19     | S23651001 | 2    | アナヒラ6X6ホソメ     | SET SCREW SOCKET (FT) M6X6   |    |
| 20     | SA7368001 | 1    | リンクSクミ         | LINK S ASSY                  |    |
| 21     | 060400416 | 2    | バインド4X4        | SCREW, BIND M4X4             |    |
| 22     | 110367001 | 2    | ザガネ            | WASHER, PLAIN SPECIAL 8      |    |
| 23     | SA7370201 | 1    | リンクL           | LINK L                       |    |
| 24     | SA7371201 | 1    | ハリオクリレンカンクミ    | N F CONNECTING ROD ASSY      |    |
| 25     | SA7374001 | 1    | リンクジククミ        | LINK STUD ASSY               |    |
| 26     | 113024000 | 1    | クミヒモフタ         | PUSHER                       |    |
| 27     | 014300432 | 1    | アナクボミ3X4       | SET SCREW SOCKET (CP) M3X4   |    |
| 28     | SA7377201 | 1    | ハリオクリウデR       | NEEDLE FEED ARM R            |    |
| 29     | 062061616 | 1    | ナベコ6X16        | SCREW PAN M6X16              |    |
|        |           |      | <-□□3用>        | <For "-□□3">                 |    |
| 30     | SA7379101 | 1    | ハリオクリヘンシンリン3.1 | N F ECCENTRIC WHEEL3.1       |    |
| 31     | S25236001 | 2    | アナヒラ6X10ホソメ    | SET SCREW SOCKET (FT) M6X10  |    |
| 32     | S23651001 | 1    | アナヒラ6X6ホソメ     | SET SCREW SOCKET (FT) M6X6   |    |
|        |           |      | <-□□5用>        | <For "-□□5">                 |    |
| 30     | SA7379101 | 1    | ハリオクリヘンシンリン3.1 | N F ECCENTRIC WHEEL3.1       |    |
| 31     | S25236001 | 2    | アナヒラ6X10ホソメ    | SET SCREW SOCKET (FT) M6X10  |    |
| 32     | S23651001 | 1    | アナヒラ6X6ホソメ     | SET SCREW SOCKET (FT) M6X6   |    |
|        |           |      | <-□03、-□05用>   | <For "-□03 & -□05">          |    |
| 33     | SA7391001 | 1    | ハリボウダイクミ       | N-BAR BASE ASSY              |    |
| 34     | 014500536 | 1    | アナクボミ5X5       | SET SCREW SOCKET (CP) M5X5   |    |
| 35     | 012400436 | 1    | アナヒラ4X4        | SET SCREW SOCKET (FT) M4X4   |    |
| 36     | 012400436 | 1    | アナヒラ4X4        | SET SCREW SOCKET (FT) M4X4   |    |
| 37     | SA7394201 | 1    | ハリオクリリンク       | LINK                         |    |
| 38     | SA7471001 | 1    | リンクジク          | LINK STUD                    |    |
| 39     | SA7842001 | 2    | フタネジM4         | SCREW M4                     |    |
| 40     | 062400616 | 1    | ナベコ4X6         | SCREW PAN M4X6               |    |
| 41     | 062061616 | 1    | ナベコ6X16        | SCREW PAN M6X16              |    |
| 42     | 110367001 | 2    | ザガネ            | WASHER, PLAIN SPECIAL 8      |    |
| 43     | SA7396101 | 1    | ハリオクリジクウデL     | NEEDLE FEED SHAFT ARM L      |    |
| 44     | SA7558001 | 1    | ハリオクリウデジク      | NF ARM SHAFT                 |    |
| 45     | SA7397001 | 1    | ハリオクリウデジク      | NEEDLE FEED ARM SHAFT        |    |
| 46     | SA4302001 | 1    | ザガネ            | WASHER                       |    |
| 47     | 025040232 | 1    | ヒラザガネチュウ4      | WASHER PLAIN M 4             |    |
| 48     | SA7401101 | 1    | ハリオクリウデジクトメ    | N-F ARM SHAFT STOPPER        |    |
| 49     | 048040142 | 1    | トメワジクヨウC4      | RETAINING RING EXTERNAL C4   |    |
| 50     | SA4499001 | 1    | トウシンホルダー       | WICK HOLDER                  |    |

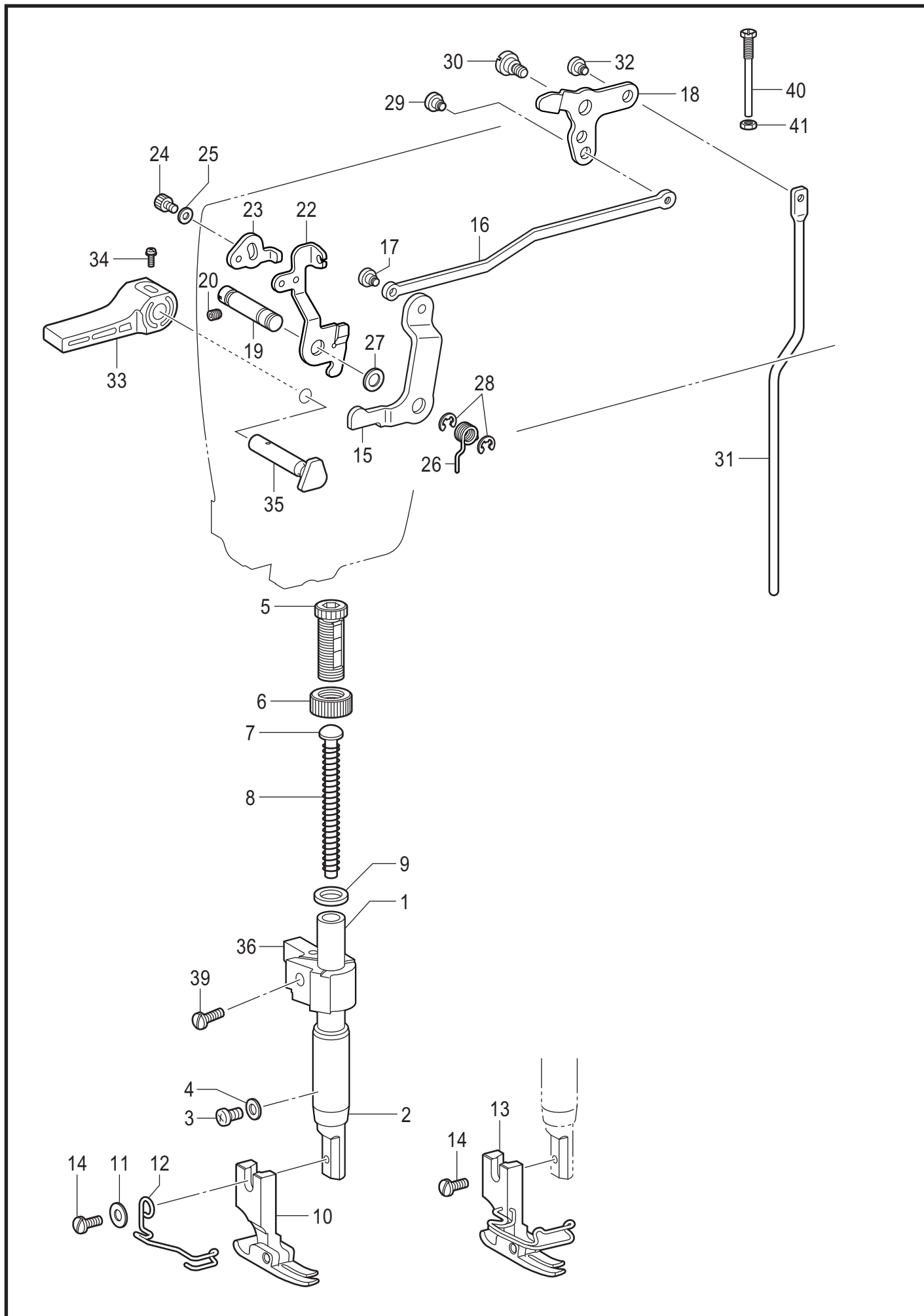
C. 針送り関係 / Needle feed mechanism



## C. 針送り関係 / Needle feed mechanism

| REF.NO | CODE      | Q'TY | 品名              | NAME OF PARTS               | RM |
|--------|-----------|------|-----------------|-----------------------------|----|
|        |           |      | <-□33用>         | <For "-□33">                |    |
| 33     | SA7390201 | 1    | ハリボウダイソウクミ      | N-BAR BASE UNIT             |    |
| 34     | 014500536 | 1    | アナクボミ5X5        | SET SCREW SOCKET (CP) M5X5  |    |
| 35     | 012400436 | 1    | アナヒラ4X4         | SET SCREW SOCKET (FT) M4X4  |    |
| 36     | 012400436 | 1    | アナヒラ4X4         | SET SCREW SOCKET (FT) M4X4  |    |
| 37     | SA7394201 | 1    | ハリオクリリンク        | LINK                        |    |
| 38     | SA7471001 | 1    | リンクジク           | LINK STUD                   |    |
| 39     | SA7842001 | 2    | フタネジM4          | SCREW M4                    |    |
| 41     | 062061616 | 1    | ナベコ6X16         | SCREW PAN M6X16             |    |
| 42     | 110367001 | 2    | ザガネ             | WASHER, PLAIN SPECIAL 8     |    |
| 43     | SA7396101 | 1    | ハリオクリジクウデL      | NEEDLE FEED SHAFT ARM L     |    |
| 44     | SA7558001 | 1    | ハリオクリウデジク       | NF ARM SHAFT                |    |
| 45     | SA7397001 | 1    | ハリオクリウデジク       | NEEDLE FEED ARM SHAFT       |    |
| 46     | SA4302001 | 1    | ザガネ             | WASHER                      |    |
| 47     | 025040232 | 1    | ヒラザガネチュウ4       | WASHER PLAIN M 4            |    |
| 48     | SA7401101 | 1    | ハリオクリウデジクトメ     | N-F ARM SHAFT STOPPER       |    |
| 49     | 048040142 | 1    | トメワジクヨウC4       | RETAINING RING EXTERNAL C4  |    |
| 51     | SA7382001 | 1    | レンカンオサエ         | HOLDER                      |    |
| 52     | 062350616 | 2    | ナベコ35X6         | SCREW PAN M3.5X6            |    |
| 53     | SA7383201 | 1    | ハリオクリキリカエキジクメタル | N F REGULATOR SHAFT BUSH    |    |
| 56     | 113024000 | 1    | クミヒモフタ          | PUSHER                      |    |
| 57     | 012400436 | 1    | アナヒラ4X4         | SET SCREW SOCKET (FT) M4X4  |    |
| 58     | SA7389201 | 1    | ハリオクリジク         | NEEDLE FEED SHAFT           |    |
| 59     | 012060536 | 1    | アナヒラ6X5         | SET SCREW, SOCKET (FT) M6X5 |    |
| 60     | 012060536 | 1    | アナヒラ6X5         | SET SCREW, SOCKET (FT) M6X5 |    |
| 61     | SA7483201 | 1    | ハリオクリジクメタルRクミ   | N FEED SHAFT METAL R ASSY   |    |
| 62     | SA7485101 | 1    | ハリオクリジクメタルLクミ   | N FEED SHAFT METAL L ASSY   |    |
| 63     | SA7826001 | 1    | ハリオクリジクメタルMクミ   | N FEED SHAFT METAL M ASSY   |    |
| 64     | SA4588001 | 3    | セットカラー          | SET COLLAR                  |    |
| 65     | 012500536 | 6    | アナヒラ5X5         | SET SCREW SOCKET (FT) M5X5  |    |
| 66     | SA4295001 | 1    | ハリボウダイメタルR      | BUSH,R                      |    |
| 67     | SA4294001 | 1    | ハリボウダイメタルL      | BUSH,L                      |    |
| 68     | 062500816 | 1    | ナベコ5X8          | SCREW PAN M5X8              |    |
| 69     | SA4505001 | 1    | カクコマアンナイクミ      | SLIDE BLOCK GUIDE ASSY      |    |
| 71     | SA4346001 | 1    | クミヒモ3X3         | WICK,3X3                    |    |
| 72     | SA4503001 | 1    | クミヒモオサエイタ       | WICK SETTING PLATE          |    |
| 73     | 060400416 | 1    | バインド4X4         | SCREW, BIND M4X4            |    |
| 74     | 018501636 | 1    | アナボルト5X16       | BOLT SOCKET M5X16           |    |
| 75     | SA4298001 | 1    | ハリボウダイアンナイ      | NEEDLE BAR BRACKET GUIDE    |    |
| 76     | 062401216 | 2    | ナベコ4X12         | SCREW PAN M4X12             |    |
| 77     | SA4300001 | 1    | ゴムパッキン          | RUBBER PACKING              |    |
| 78     | SA4301001 | 1    | ゴムパッキンフタ        | RUBBER PACKING PLATE        |    |
| 79     | S25310101 | 3    | サラネジ4           | SCREW, FLAT M4              |    |

D . 押え関係 / Presser foot mechanism





## D. 押え関係 / Presser foot mechanism

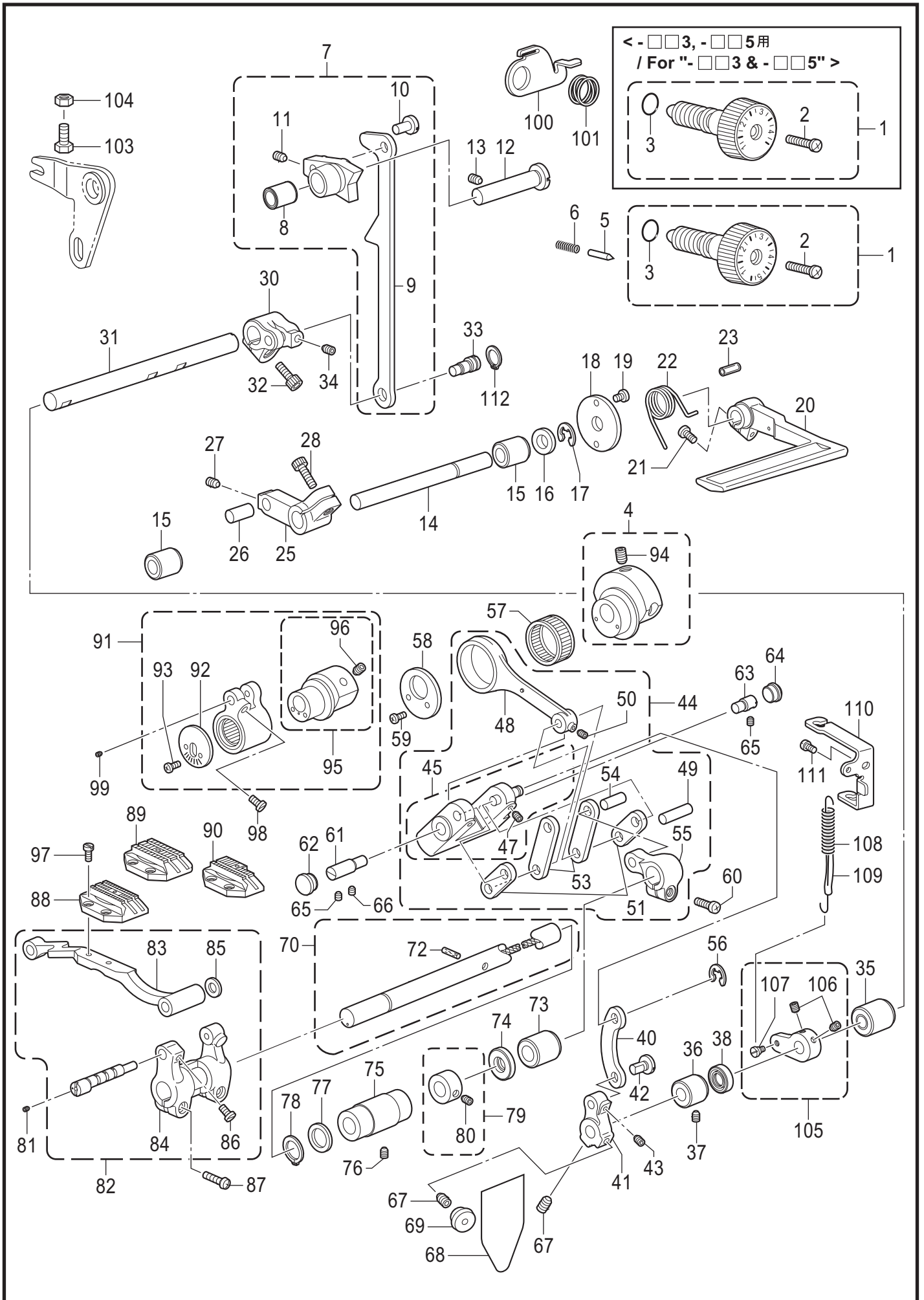
| REF.NO | CODE      | Q'TY | 品名                 | NAME OF PARTS                      | RM |
|--------|-----------|------|--------------------|------------------------------------|----|
| 1      | SA1171001 | 1    | <-□□3用><br>オサエボウ   | <For "-□□3"><br>PRESSER BAR        |    |
| 1      | SA1173001 | 1    | <-□□5用><br>オサエボウ   | <For "-□□5"><br>PRESSER BAR        |    |
| 2      | SA7242001 | 1    | オサエボウメタル           | PRESSER BAR BUSH                   |    |
| 3      | 062500616 | 1    | ナベコ5X6             | SCREW PAN M5X6                     |    |
| 4      | 026050136 | 1    | ヒラザガネコガタ5          | WASHER PLAIN S 5                   |    |
| 5      | SA1174001 | 1    | オサエチヨウセツネジM14      | PRESSER ADJUSTING SCREW, M14       |    |
| 6      | SA1175001 | 1    | チヨウセツネジナットM14      | ADJUST SCREW NUT                   |    |
| 7      | SA7607001 | 1    | オサエバネアンナイ          | SPRING GUIDE                       |    |
| 8      | S13561101 | 1    | <-□□3用><br>オサエバネ   | <For "-□□3"><br>PRESSER BAR SPRING |    |
| 8      | 141728001 | 1    | <-□□5用><br>オサエバネ   | <For "-□□5"><br>PRESSER BAR SPRING |    |
| 9      | 140407001 | 1    | ザガネ                | WASHER                             |    |
| 10     | SA4484001 | 1    | <-□□3用><br>オサエクミ   | <For "-□□3"><br>PRESSER FOOT ASSY  |    |
| 11     | 025350132 | 1    | ヒラザガネショウ3.5        | WASHER PLAIN S 3.5                 |    |
| 12     | SA2778201 | 1    | フィンガーガード           | FINGER GUARD                       |    |
| 13     | SA4487101 | 1    | オサエクミ (フィンガーガード付き) | PRESSER FOOT ASSY W/F-GUARD        |    |
| 10     | SA4489001 | 1    | <-□□5用><br>オサエクミ   | <For "-□□5"><br>PRESSER FOOT ASSY  |    |
| 11     | 025350132 | 1    | ヒラザガネショウ3.5        | WASHER PLAIN S 3.5                 |    |
| 12     | SA2778201 | 1    | フィンガーガード           | FINGER GUARD                       |    |
| 13     | SA4490101 | 1    | オサエクミ (フィンガーガード付き) | PRESSER FOOT ASSY W/F-GUARD        |    |
| 14     | S13385001 | 1    | シメネジ3.57X10        | SCREW, SM3.57-40X10                |    |
| 15     | SA4483001 | 1    | オサエアゲレバー           | PRESSER BAR LIFTER LEVER           |    |
| 16     | SA7407101 | 1    | ヒザアゲレンカン           | KNEE LIFTER CONNECTING ROD         |    |
| 17     | SA1179001 | 1    | ダンネジ5              | SHOULDER SCREW, M5                 |    |
| 18     | SA7406101 | 1    | ヒザアゲレバー            | KNEE LIFTER LEVER                  |    |
| 19     | SA1181001 | 1    | オサエアゲレバー-ジク        | PRESSER BAR LIFTER LEVER SHAFT     |    |
| 20     | 012500536 | 1    | アナヒラ5X5            | SET SCREW SOCKET (FT) M5X5         |    |
| 22     | SA1183001 | 1    | イトユルメイタ            | TENSION RELEASE PLATE              |    |
| 23     | SA1184001 | 1    | イトユルメキリカエイタ        | T-RELEASE SELECTION PLATE          |    |
| 24     | 018400532 | 1    | アナボルト4X5           | BOLT SOCKET M4X5                   |    |
| 25     | 025040232 | 1    | ヒラザガネチュウ4          | WASHER PLAIN M 4                   |    |
| 26     | SA1186001 | 1    | オサエアゲレバー-バネ        | P-BAR LIFTER LEVER SPRING          |    |
| 27     | S07350001 | 1    | ザガネ                | WASHER PLAIN                       |    |
| 28     | 048050342 | 2    | トメワE5              | RETAINING RING E5                  |    |
| 29     | SA1179001 | 1    | ダンネジ5              | SHOULDER SCREW, M5                 |    |
| 30     | SA2165001 | 1    | ダンネジ6              | SHOULDER SCREW, M6                 |    |
| 31     | SA7408001 | 1    | ヒザアゲボウ             | KNEE LIFTER BAR                    |    |
| 32     | SA1179001 | 1    | ダンネジ5              | SHOULDER SCREW, M5                 |    |
| 33     | S31006001 | 1    | オサエアゲテコ            | LIFTING LEVER                      |    |
| 34     | S39051001 | 1    | ナベザクミ35X12         | SCREW, PAN (S/P W) M3.5X12         |    |
| 35     | S45837001 | 1    | オサエアゲクランク          | PRESSER BAR LIFTER CRANK           |    |
| 36     | SA4468001 | 1    | オサエボウダキクミ          | PRESSER BAR GUIDE BRACKET ASSY     |    |
| 39     | S13399001 | 1    | シメネジ3.57X12        | SCREW, SM3.57X12                   |    |
| 40     | SA4256101 | 1    | チヨウセツネジ6           | ADJUSTING SCREW M6                 |    |
| 41     | 021060306 | 1    | 3シュナット6            | NUT 3 M6                           |    |



## E. 送り関係 / Feed mechanism

| REF.NO | CODE      | Q'TY | 品名             | NAME OF PARTS                | RM |
|--------|-----------|------|----------------|------------------------------|----|
|        |           |      | <-□□3用>        | <For "-□□3">                 |    |
| 1      | SA7859001 | 1    | オクリメモリダイヤルクミ   | STITCH LENGTH DIAL ASSY      |    |
| 2      | SA4494001 | 1    | シメネジ4.76       | SCREW SM4.76                 |    |
| 3      | 108549001 | 1    | Oリング           | O RING                       |    |
|        |           |      | <-□□5用>        | <For "-□□5">                 |    |
| 1      | SA7860001 | 1    | オクリメモリダイヤルクミ   | STITCH LENGTH DIAL ASSY      |    |
| 2      | SA4494001 | 1    | シメネジ4.76       | SCREW SM4.76                 |    |
| 3      | 108549001 | 1    | Oリング           | O RING                       |    |
|        |           |      | <-□□3用>        | <For "-□□3">                 |    |
| 4      | SA1261001 | 1    | スイヘイヘンシンリンネジツキ | ECCENTRIC WHEEL, W/SCREW     |    |
| 94     | S25236001 | 2    | アナヒラ6X10ホソメ    | SET SCREW SOCKET (FT) M6X10  |    |
|        |           |      | <-□□5用>        | <For "-□□5">                 |    |
| 4      | SA1263001 | 1    | スイヘイヘンシンリンネジツキ | ECCENTRIC WHEEL, W/SCREW     |    |
| 94     | S25236001 | 2    | アナヒラ6X10ホソメ    | SET SCREW SOCKET (FT) M6X10  |    |
| 5      | S50098101 | 1    | メモリイチギメピン      | POSITIONING PIN              |    |
| 6      | 100328001 | 1    | メモリイチギメピンバネ    | NOTCH SPRING                 |    |
| 7      | SA7660001 | 1    | オクリチョウセツクミ     | FEED REGULATOR ASSY          |    |
| 8      | 142374100 | 1    | ドライブツシュ        | BUSH DRY :L=20               |    |
| 9      | SA2849001 | 1    | キリカエキレンカン      | F-REGULATOR CONNECTING ROD   |    |
| 10     | 151308102 | 1    | レンカンジク12.5     | STUD, 12.5                   |    |
| 11     | 012500536 | 1    | アナヒラ5X5        | SET SCREW SOCKET (FT) M5X5   |    |
| 12     | SA7635001 | 1    | オクリチョウセツクジク    | FEED REGULATOR SHAFT         |    |
| 13     | 012060536 | 2    | アナヒラ6X5        | SET SCREW, SOCKET (FT) M6X5  |    |
| 14     | SA1206001 | 1    | カエシヌイレバージク     | REVERSE SEWING SHAFT         |    |
| 15     | S25469100 | 2    | ドライブツシュ        | BUSH DRY :L=12               |    |
| 16     | 025100132 | 1    | ヒラザガネショウ10     | WASHER PLAIN S 10            |    |
| 17     | 048080342 | 1    | トメワE8          | RETAINING RING E8            |    |
| 18     | SA1207001 | 1    | カンザ            | SPACER                       |    |
| 19     | 062500816 | 2    | ナベコ5X8         | SCREW PAN M5X8               |    |
| 20     | SA7321001 | 1    | カエシヌイレバー       | REVERSE LEVER                |    |
| 21     | 062501416 | 1    | ナベコ5X14        | SCREW PAN M5X14              |    |
| 22     | SA1209001 | 1    | カエシヌイレバーバネ     | REVERSE LEVER SPRING         |    |
| 23     | 153132000 | 1    | ナイロンチューブ       | NYLON TUBE, L=13.5           |    |
| 25     | SA1211001 | 1    | ハンドルジクウデ       | HANDLE SHAFT ARM             |    |
| 26     | 156958021 | 1    | スイヘイオクリウデジク    | FEED ROCK ARM SHAFT          |    |
| 27     | 012500536 | 1    | アナヒラ5X5        | SET SCREW SOCKET (FT) M5X5   |    |
| 28     | 018501636 | 1    | アナボルト5X16      | BOLT SOCKET M5X16            |    |
| 30     | SA2850101 | 1    | キリカエキジクウデ      | FEED REGULATOR SHAFT ARM     |    |
| 31     | SA7661001 | 1    | キリカエキジク        | FEED REGULATOR SHAFT         |    |
| 32     | 018501436 | 1    | アナボルト5X14      | BOLT SOCKET M5X14            |    |
| 33     | SA2851001 | 1    | ヘンシンピン         | ECCENTRIC PIN                |    |
| 34     | 012500536 | 1    | アナヒラ5X5        | SET SCREW SOCKET (FT) M5X5   |    |
| 35     | SA7670001 | 1    | キリカエキジクメタルRクミ  | FEED REGULATOR SHAFT R ASSY  |    |
| 36     | SA7253001 | 1    | キリカエキジクメタルL    | FEED REGULATOR SHAFT BUSH(L) |    |
| 37     | 012060536 | 1    | アナヒラ6X5        | SET SCREW, SOCKET (FT) M6X5  |    |
| 38     | SA1269001 | 1    | オイルシール         | OIL SEAL                     |    |
| 40     | SA7697001 | 1    | キリカエキレンカンS     | CONNECTING ROD S             |    |
| 41     | SA1218001 | 1    | キリカエキジクツギテ     | FEED REGULATOR SHAFT JOINT   |    |
| 42     | 151308102 | 1    | レンカンジク12.5     | STUD, 12.5                   |    |
| 43     | 012500536 | 1    | アナヒラ5X5        | SET SCREW SOCKET (FT) M5X5   |    |
| 44     | SA7323201 | 1    | キリカエキソウクミ      | FEED REGULATOR UNIT          |    |
| 45     | SA7324201 | 1    | キリカエキクミ        | FEED REGULATOR ASSY          |    |
| 47     | 012500536 | 2    | アナヒラ5X5        | SET SCREW SOCKET (FT) M5X5   |    |
| 48     | SA1223001 | 1    | スイヘイオクリレンカン    | LEVEL FEED CONNECTING ROD    |    |
| 49     | SA7254001 | 1    | リンクジク          | LINK SHAFT                   |    |
| 50     | 012500536 | 2    | アナヒラ5X5        | SET SCREW SOCKET (FT) M5X5   |    |
| 51     | S16335001 | 1    | スイヘイオクリリンククミ   | LEVEL FEED LINK ASSY         |    |
| 53     | S16337001 | 1    | スイヘイオクリウデリンククミ | FEED ROCKER ARM LINK ASSY    |    |

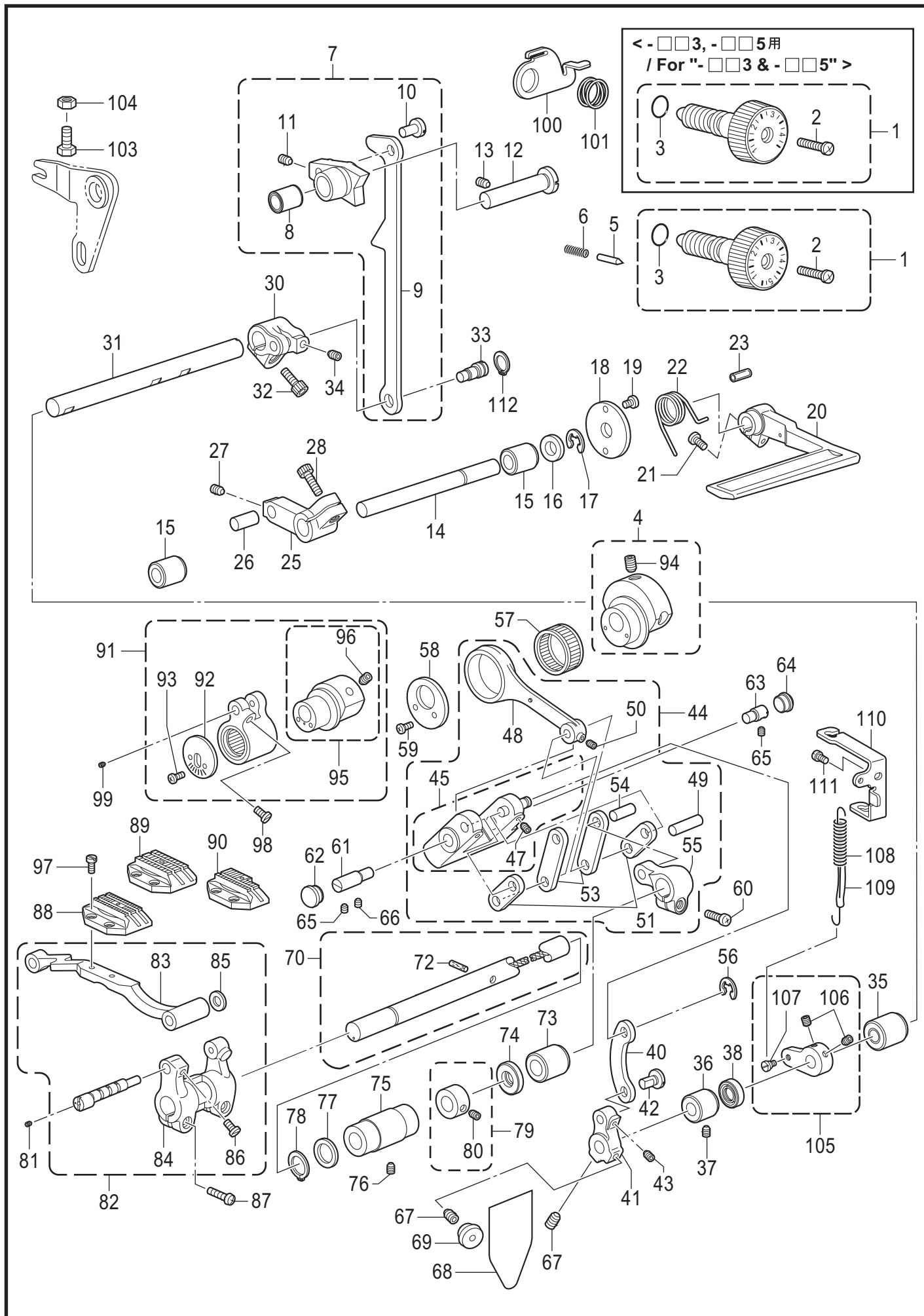
E. 送り関係 / Feed mechanism



## E. 送り関係 / Feed mechanism

| REF.NO | CODE      | Q'TY | 品名                      | NAME OF PARTS                                  | RM |
|--------|-----------|------|-------------------------|--|----|
| 54     | 156958021 | 1    | スイヘイオクリウデジク             | FEED ROCK ARM SHAFT                            |    |
| 55     | SA1225001 | 1    | スイヘイオクリウデ               | FEED ROCK ARM                                  |    |
| 56     | 048040342 | 1    | トメワE4                   | RETAINING RING E4                              |    |
| 57     | S12915001 | 1    | ニードルジクウケ25              | ROLLER BEARING, RADIAL 25 :RED                 |    |
| 58     | S25321001 | 1    | レンカンオサエ                 | HOLDER   |    |
| 59     | 062350616 | 2    | ナベコ35X6                 | SCREW PAN M3.5X6                               |    |
| 60     | 062501416 | 1    | ナベコ5X14                 | SCREW PAN M5X14                                |    |
| 61     | SA1226101 | 1    | キリカエジクL                 | FEED REGULATOR SHAFT, L                        |    |
| 62     | 104449001 | 1    | ゴムセン15.5                | RUBBER CAP, 15.5                               |    |
| 63     | SA1227101 | 1    | キリカエキササエジク              | FEED REGULATOR SUPPORT SHAFT                   |    |
| 64     | SA1228001 | 1    | ゴムセン14.5                | RUBBER CAP, 14.5                               |    |
| 65     | 012060536 | 2    | アナヒラ6X5                 | SET SCREW, SOCKET (FT) M6X5                    |    |
| 66     | SA1229101 | 1    | アナトメネジ6トガリ              | SET SCREW (FT) M6X6                            |    |
| 67     | S23651001 | 2    | アナヒラ6X6ホソメ              | SET SCREW SOCKET (FT) M6X6                     |    |
| 68     | SA2377001 | 1    | ゴムセンラベル                 | RUBBER CAP LABEL                               |    |
| 69     | S34352101 | 1    | ゴムセン13.5                | RUBBER CAP, 13.5                               |    |
| 70     | SA1230001 | 1    | スイヘイオクリジククミ             | FEED ROCK SHAFT ASSY                           |    |
| 72     | SA2162001 | 1    | フェルト                    | FELT   |    |
| 73     | SA7255001 | 1    | オクリジクメタルR               | FEED SHAFT BUSH(R)                             |    |
| 74     | SA1237001 | 1    | オイルシール                  | OIL SEAL                                       |    |
| 75     | SA1233101 | 1    | オクリジクメタルL               | FEED SHAFT BUSH L                              |    |
| 76     | 012060536 | 1    | アナヒラ6X5                 | SET SCREW, SOCKET (FT) M6X5                    |    |
| 77     | 156243021 | 1    | オクリジクスラストリング            | THRUST RING                                    |    |
| 78     | 048150142 | 1    | トメワジクヨウC15              | RETAINING RING EXTERNAL C15                    |    |
| 79     | SA1234001 | 1    | セツトカラークミ                | SET SCREW COLLAR                               |    |
| 80     | S23651001 | 2    | アナヒラ6X6ホソメ              | SET SCREW SOCKET (FT) M6X6                     |    |
| 81     | 014300432 | 1    | アナクボミ3X4                | SET SCREW SOCKET (CP) M3X4                     |    |
| 82     | SA7673001 | 1    | オクリダイクミ                 | FEED BAR ASSY                                  |    |
| 83     | SA7674001 | 1    | オクリダイ                   | FEED BAR                                       |    |
| 84     | SA7330001 | 1    | スイヘイオクリダイウデ             | FEED ROCK BRACKET ARM                          |    |
| 85     | 158722001 | 1    | ザガネ4.2                  | WASHER PLAIN 4.2                               |    |
| 86     | SA1242001 | 1    | アタマトメクボミ5X7             | SET SCREW 5X7                                  |    |
| 87     | SA7257001 | 2    | シメネジ5X12                | SCREW 5X12                                     |    |
| 88     | 159521001 | 1    | <-□□3用><br>オクリバ         | <For "-□□3"><br>FEED DOG                       |    |
| 89     | S13102101 | 1    | <-□□5用><br>オクリバ         | <For "-□□5"><br>FEED DOG                       |    |
| 90     | 159525001 | 1    | オクリバ                    | FEED DOG                                       |    |
| 91     | SA1245101 | 1    | <-□□3用><br>ジヨウゲヘンシンリンクミ | <For "-□□3"><br>F-LIFTING ECCENTRIC WHEEL ASSY |    |
| 92     | S25339201 | 1    | オクリダイウデオサエ              | FEED BAR ARM PRESSER                           |    |
| 93     | 062300616 | 2    | ナベコ3X6                  | SCREW PAN M3X6                                 |    |
| 95     | SA1247001 | 1    | ヘンシンリンネジツキ              | ECCENTRIC WHEEL, W/SCREW                       |    |
| 96     | S25236001 | 2    | アナヒラ6X10ホソメ             | SET SCREW SOCKET (FT) M6X10                    |    |
| 91     | SA1250101 | 1    | <-□□5用><br>ジヨウゲヘンシンリンクミ | <For "-□□5"><br>F-LIFTING ECCENTRIC WHEEL ASSY |    |
| 92     | S25339201 | 1    | オクリダイウデオサエ              | FEED BAR ARM PRESSER                           |    |
| 93     | 062300616 | 2    | ナベコ3X6                  | SCREW PAN M3X6                                 |    |
| 95     | SA1251001 | 1    | ヘンシンリンネジツキ              | ECCENTRIC WHEEL W/SCREW                        |    |
| 96     | S25236001 | 2    | アナヒラ6X10ホソメ             | SET SCREW SOCKET (FT) M6X10                    |    |
| 97     | 100080004 | 2    | シメネジ3.18                | SCREW, SM3.18-44X6.5                           |    |
| 98     | SA1242001 | 1    | アタマトメクボミ5X7             | SET SCREW 5X7                                  |    |
| 99     | 014300432 | 1    | アナクボミ3X4                | SET SCREW SOCKET (CP) M3X4                     |    |
| 100    | S47508101 | 1    | ダイヤルロックレバー              | DIAL LOCK LEVER                                |    |
| 101    | S39830101 | 1    | ダイヤルロックレバーバネ            | SPRING   |    |
| 103    | SA2347001 | 1    | ボルト5X16                 | BOLT M5X16                                     |    |

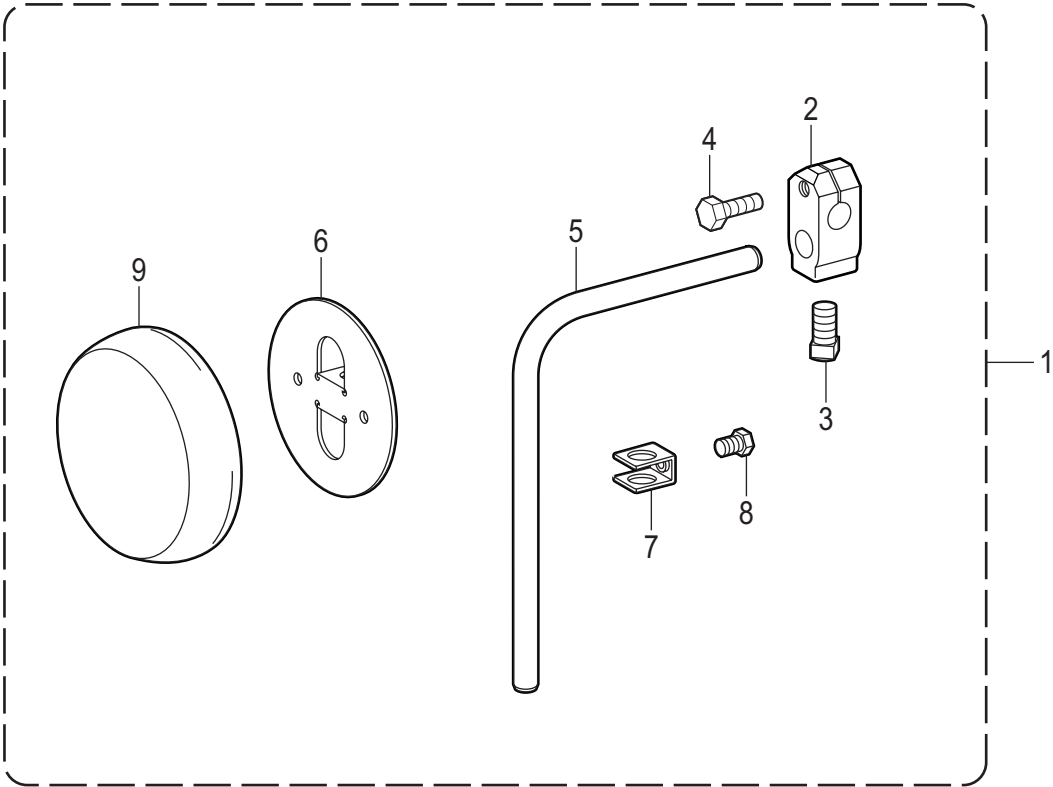
E. 送り関係 / Feed mechanism



## E. 送り関係 / Feed mechanism

| REF.NO | CODE      | Q'TY | 品名         | NAME OF PARTS               | RM |
|--------|-----------|------|------------|-----------------------------|----|
| 104    | 021500316 | 1    | 3シュナット5    | NUT 3 M5                    |    |
| 105    | SA7664201 | 1    | バネカケウデクミ   | SPRING HOOK ARM ASSY        |    |
| 106    | S23651001 | 2    | アナヒラ6X6ホソメ | SET SCREW SOCKET (FT) M6X6  |    |
| 107    | S25427101 | 1    | ダンネジ4      | SHOULDER SCREW, M4          |    |
| 108    | SA7675001 | 1    | ヒキバネクミ     | SPRING ASSY                 |    |
| 109    | SA3114001 | 1    | ビニルチューブ    | VINYL TUBE                  |    |
| 110    | SA7679001 | 1    | バネトリツケイタ   | SPRING SET PLATE            |    |
| 111    | 062500816 | 1    | ナベコ5X8     | SCREW PAN M5X8              |    |
| 112    | 048100142 | 1    | トメワジクヨウC10 | RETAINING RING EXTERNAL C10 |    |

F . 膝上げ関係 / Knee lifter mechanism

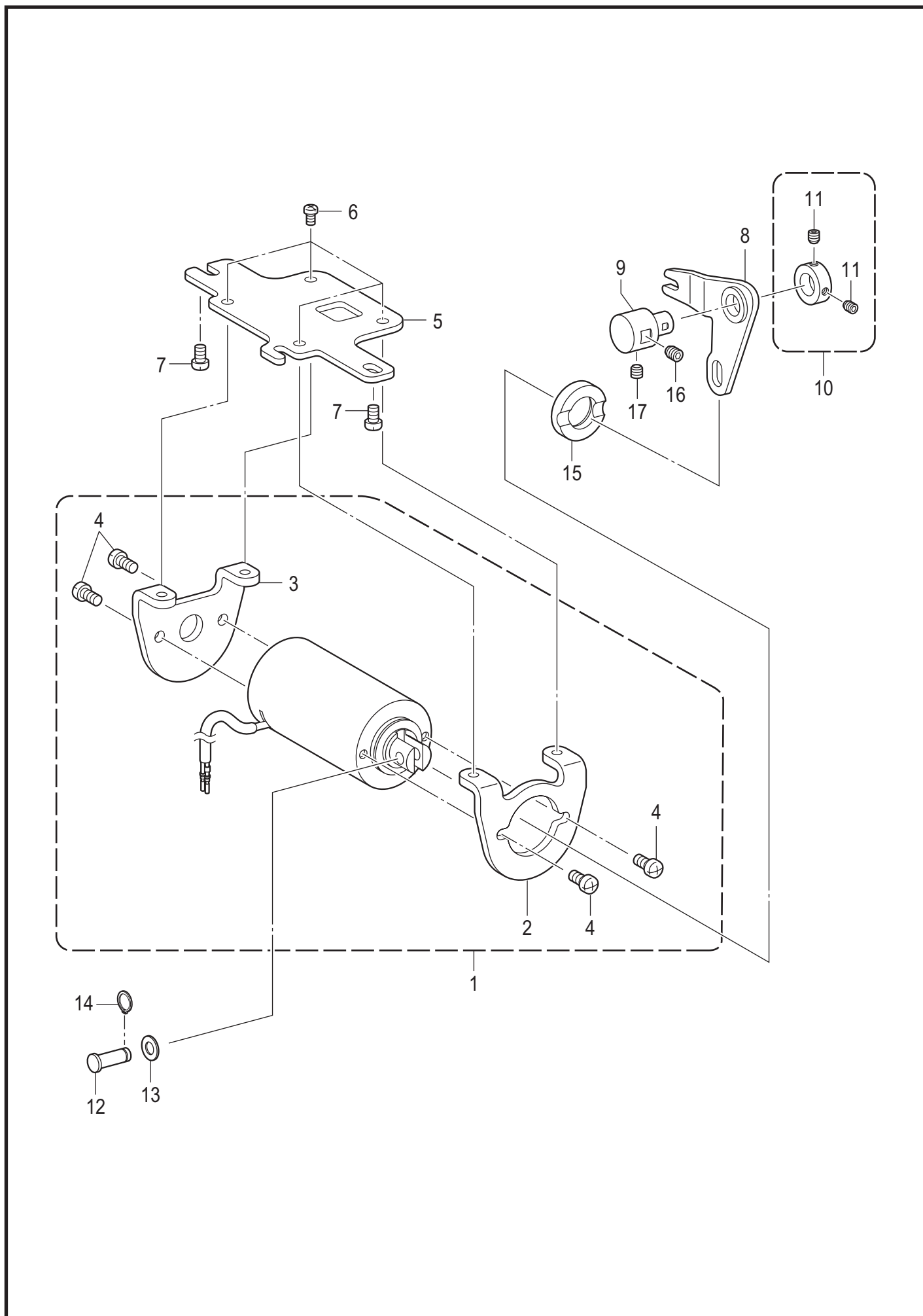




## F. 膝上げ関係 / Knee lifter mechanism

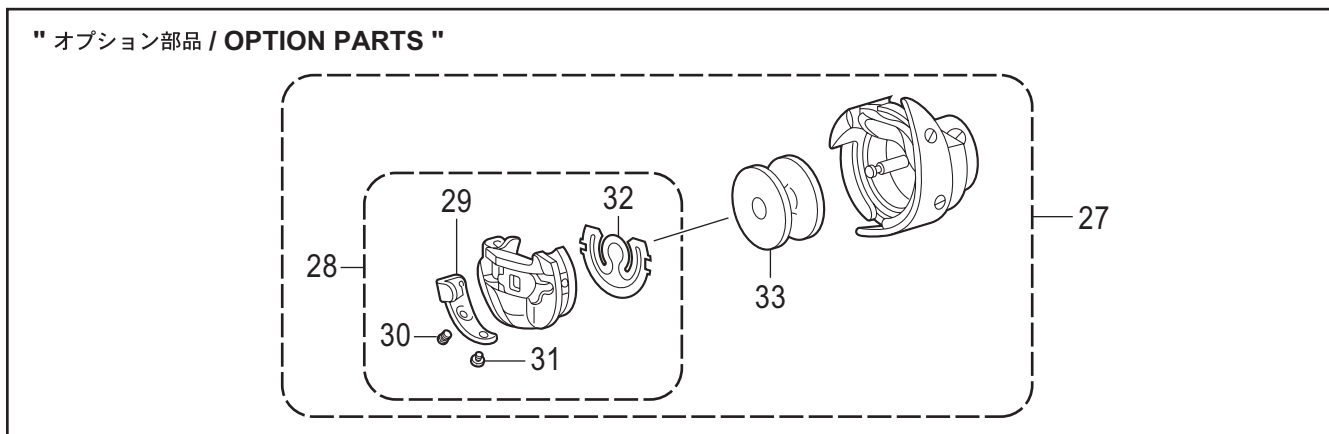
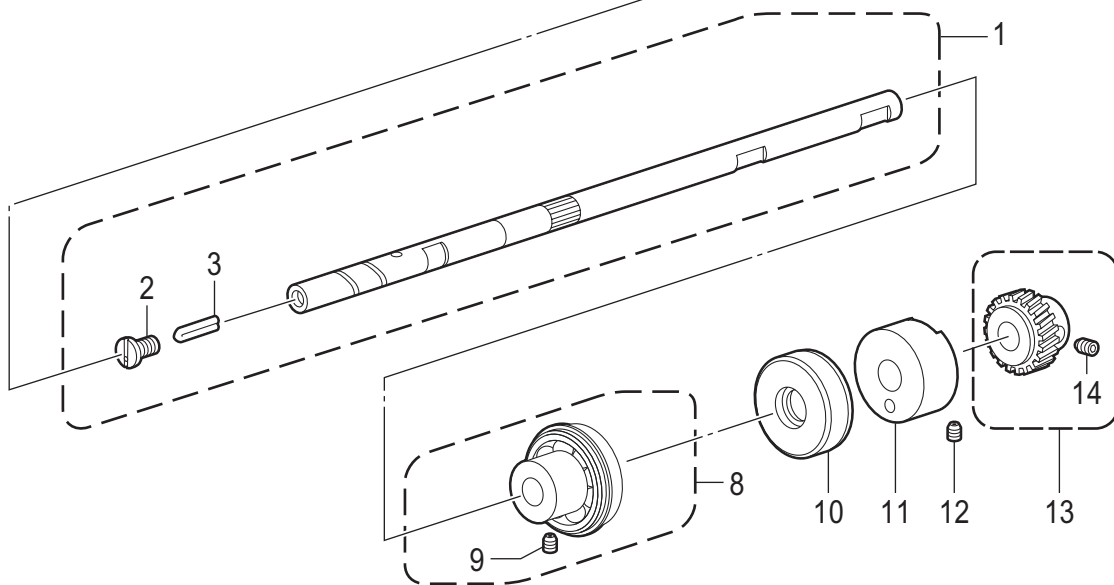
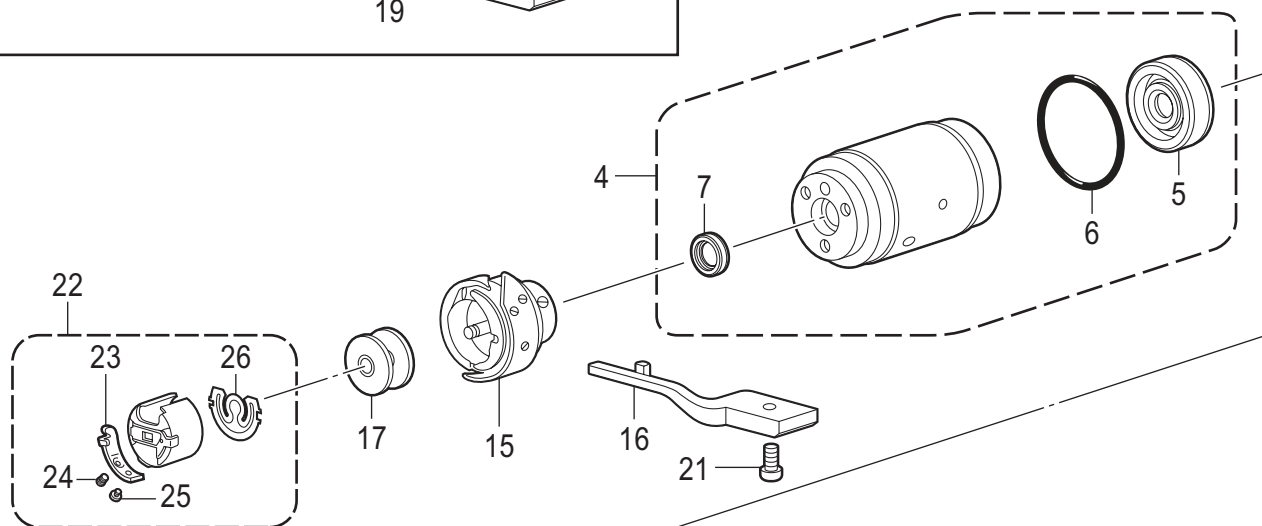
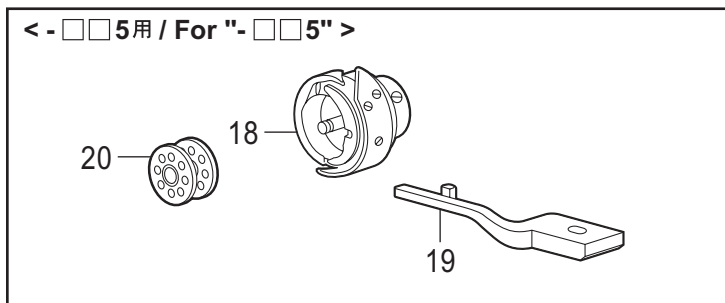
| REF.NO | CODE      | Q'TY | 品名         | NAME OF PARTS             | RM |
|--------|-----------|------|------------|---------------------------|----|
| 1      | S35821021 | 1    | ヒザアテクミ     | KNEE LIFTER ASSY          |    |
| 2      | 146039021 | 1    | ヒザアテツギテ    | KNEE LIFTER BRACKET       |    |
| 3      | 100463021 | 1    | 4カクボルト7.94 | BOLT, SQUARE SM7.94       |    |
| 4      | S35820021 | 1    | ボルト5.95X20 | BOLT, SM5.95X20           |    |
| 5      | 104619022 | 1    | ヒザアゲタテジク   | KNEE LIFTER BAR           |    |
| 6      | S34756021 | 1    | ヒザアテ       | KNEE LIFTER PLATE         |    |
| 7      | 114967021 | 1    | ヒザアテストップ   | KNEE LIFTER PLATE STOPPER |    |
| 8      | 110087021 | 1    | ボルト5.95    | BOLT, SM5.95-28X8         |    |
| 9      | S31885001 | 1    | ヒザアテカバー    | KNEE LIFTER PLATE COVER   |    |

G . 逆転関係 / Quick reverse mechanism



## G. 逆転関係 / Quick reverse mechanism

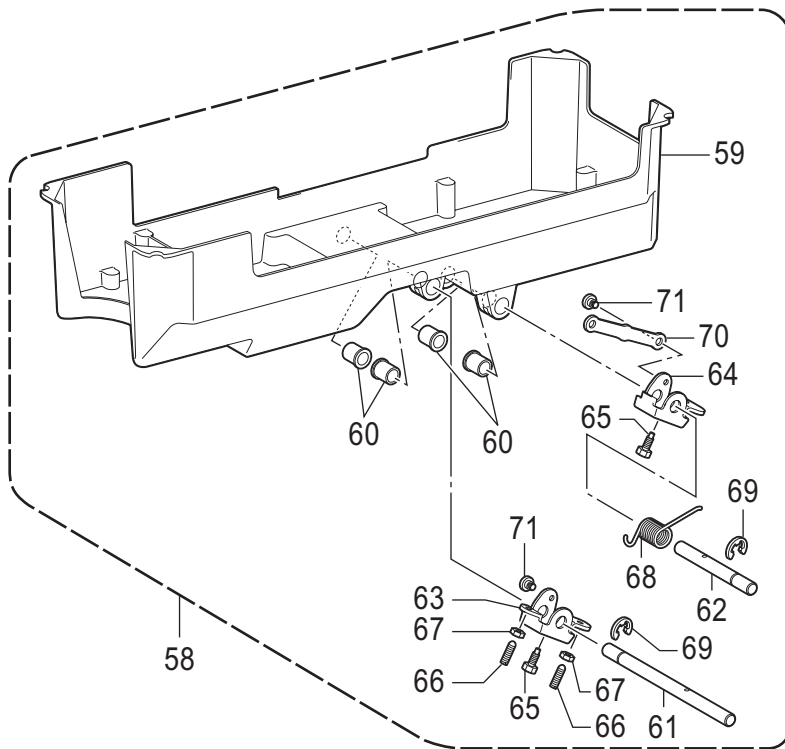
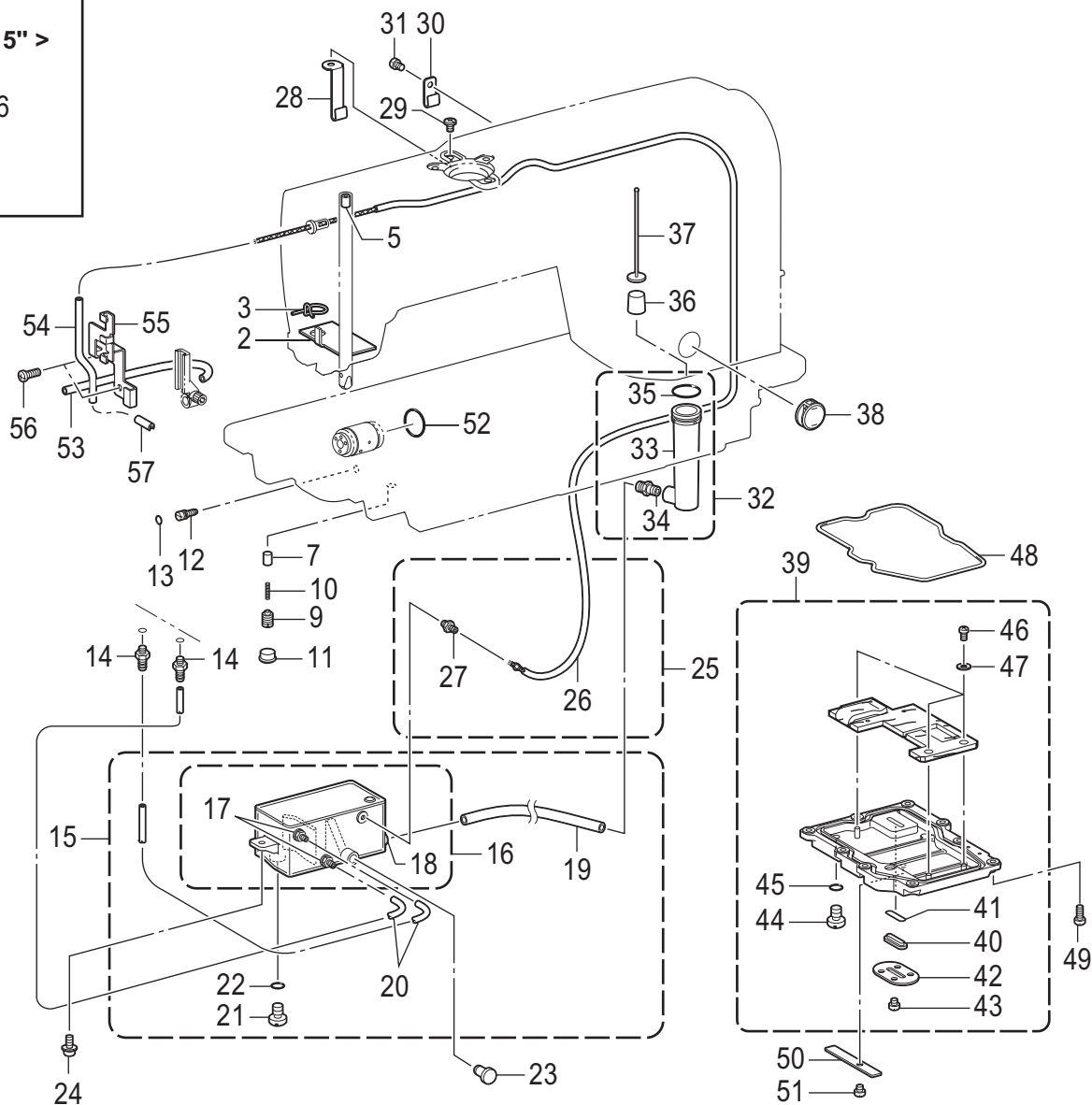
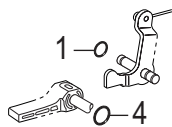
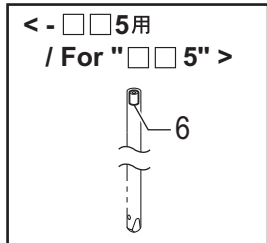
| REF.NO | CODE      | Q'TY | 品名            | NAME OF PARTS               | RM |
|--------|-----------|------|---------------|-----------------------------|----|
| 1      | SA7850001 | 1    | ギャクテンソレノイドクミ  | QUICK REVERSE SOLENOID ASSY |    |
| 2      | SA7904001 | 1    | ソレノイドトリツケイタ F | SOLENOID PLATE F            |    |
| 3      | SA7907001 | 1    | ソレノイドトリツケイタ B | SOLENOID PLATE B            |    |
| 4      | 062500816 | 4    | ナベコ5X8        | SCREW PAN M5X8              |    |
| 5      | SA7903001 | 1    | ソレノイドダイ       | SOLENOID BASE               |    |
| 6      | 062500816 | 4    | ナベコ5X8        | SCREW PAN M5X8              |    |
| 7      | 062061016 | 2    | ナベコ6X10       | SCREW PAN M6X10             |    |
| 8      | SA2852001 | 1    | ソレノイドレバー      | SOLENOID LEVER              |    |
| 9      | SA2844101 | 1    | ソレノイドレバージク    | SOLENOID LEVER SHAFT        |    |
| 10     | SA2848001 | 2    | セットカラークミ      | SET COLLAR ASSY             |    |
| 11     | 012500536 | 4    | アナヒラ5X5       | SET SCREW SOCKET (FT) M5X5  |    |
| 12     | SA2992001 | 1    | レンケツピン        | PIN                         |    |
| 13     | 153138001 | 1    | ザガネ           | WASHER, PLAIN 6.5           |    |
| 14     | 048060142 | 1    | トメワジクヨウC6     | RETAINING RING EXTERNAL C6  |    |
| 15     | SA7854001 | 1    | ゴムクッション       | RUBBER CUSHION              |    |
| 16     | 012060536 | 1    | アナヒラ6X5       | SET SCREW, SOCKET (FT) M6X5 |    |
| 17     | 012500536 | 1    | アナヒラ5X5       | SET SCREW SOCKET (FT) M5X5  |    |



H. かま関係 / Rotary hook mechanism

| REF.NO | CODE      | Q'TY | 品名            | NAME OF PARTS                 | RM |
|--------|-----------|------|---------------|-------------------------------|----|
| 1      | SA7261101 | 1    | カマジククミ        | ROTARY HOOK SHAFT ASSY        |    |
| 2      | SA7148001 | 1    | オイルアナフタネジ     | SCREW CAP W/HOLE M5-0.8       |    |
| 3      | SA7525001 | 1    | フェルト          | FELT                          |    |
| 4      | SA7263301 | 1    | ポンプメタルオオクミ    | PUMP BUSH UNIT                |    |
| 5      | SA7693001 | 1    | オイルシール        | OIL SEAL                      |    |
| 6      | 081025870 | 1    | OリングS25       | O RING S25                    |    |
| 7      | SA7320001 | 1    | オイルシール        | OIL SEAL                      |    |
| 8      | SA7554001 | 1    | ベアリングブツシュクミ   | BEARING BUSH ASSY             |    |
| 9      | S23651001 | 2    | アナヒラ6X6ホソメ    | SET SCREW SOCKET (FT) M6X6    |    |
| 10     | SA1284001 | 1    | オイルシール        | OIL SEAL                      |    |
| 11     | SA1285001 | 1    | カマジクギヤメタル     | ROTARY HOOK SHAFT GEAR BUSH   |    |
| 12     | 012060536 | 1    | アナヒラ6X5       | SET SCREW, SOCKET (FT) M6X5   |    |
| 13     | SA1286001 | 1    | カマジクギアクミ      | ROTARY HOOK SHAFT GEAR ASSY   |    |
| 14     | S23651001 | 2    | アナヒラ6X6ホソメ    | SET SCREW SOCKET (FT) M6X6    |    |
|        |           |      | <-□□3用>       | <For "-□□3">                  |    |
| 15     | SA7949001 | 1    | コウソクカマ        | ROTARY HOOK                   |    |
| 16     | SA7830001 | 1    | ウチカマトメ        | HOOK STOPPER                  |    |
| 17     | 146290001 | 1    | ボビン           | BOBBIN                        |    |
|        |           |      | <-□□5用>       | <For "-□□5">                  |    |
| 18     | SA7689001 | 1    | コウソクカマ        | ROTARY HOOK ASSY              |    |
| 19     | SA7829001 | 1    | ウチカマトメ        | HOOK STOPPER                  |    |
| 20     | 117132001 | 1    | ボビン           | BOBBIN                        |    |
| 21     | 062401216 | 2    | ナベコ4X12       | SCREW PAN M4X12               |    |
| 22     | S20553001 | 1    | ボビンケースクミ      | BOBBIN CASE ASSY              |    |
| 23     | 183291001 | 1    | ボビンケースチヨウシバネ  | TENSION SPRING                |    |
| 24     | 183292001 | 1    | チヨウシバネチヨウセツネジ | ADJUSTING SCREW               |    |
| 25     | 183293001 | 1    | チヨウシバネトメネジ    | SET SCREW                     |    |
| 26     | 148967101 | 1    | クウテンボウシバネ     | ANTI-SPIN SPRING              |    |
|        |           |      | "オプション部品"     | "OPTION PARTS "               |    |
| 27     | SA1719001 | 1    | S53203カマハコセット | ROTARY HOOK SET, W/BOX S53203 |    |
| 28     | S24904201 | 1    | ボビンケースクミ1.7   | BOBBIN CASE ASSY, 1.7         |    |
| 29     | S24905101 | 1    | ボビンケースチヨウシバネ  | TENSION SPRING                |    |
| 30     | 183809001 | 1    | チヨウシバネチヨウセツネジ | ADJUSTING SCREW               |    |
| 31     | 183810001 | 1    | チヨウシバネトメネジ    | SET SCREW                     |    |
| 32     | 183811001 | 1    | クウテンボウシバネ     | ANTI-SPIN SPRING              |    |
| 33     | S23848001 | 1    | ボビン1.7        | BOBBIN, 1.7                   |    |

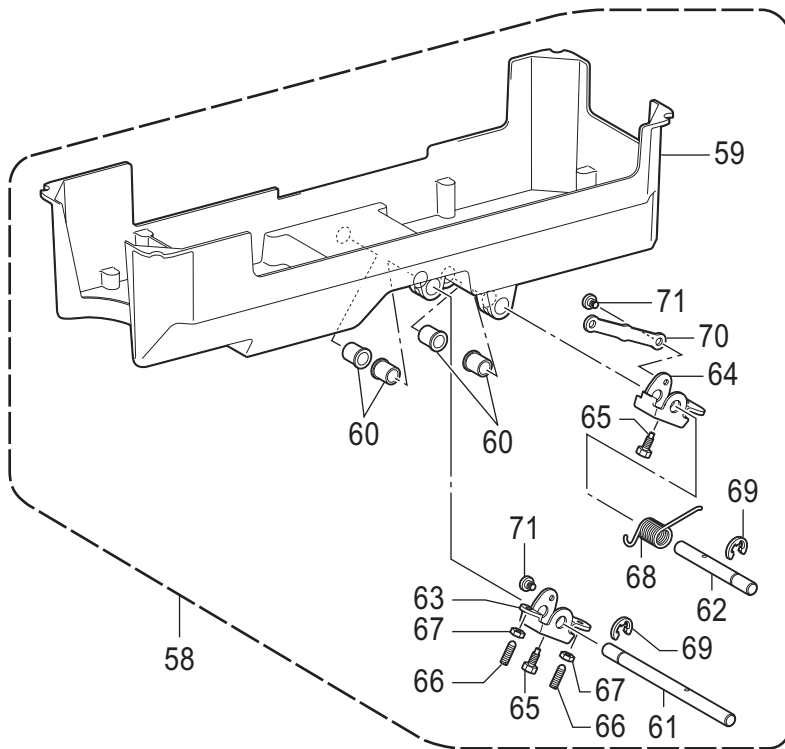
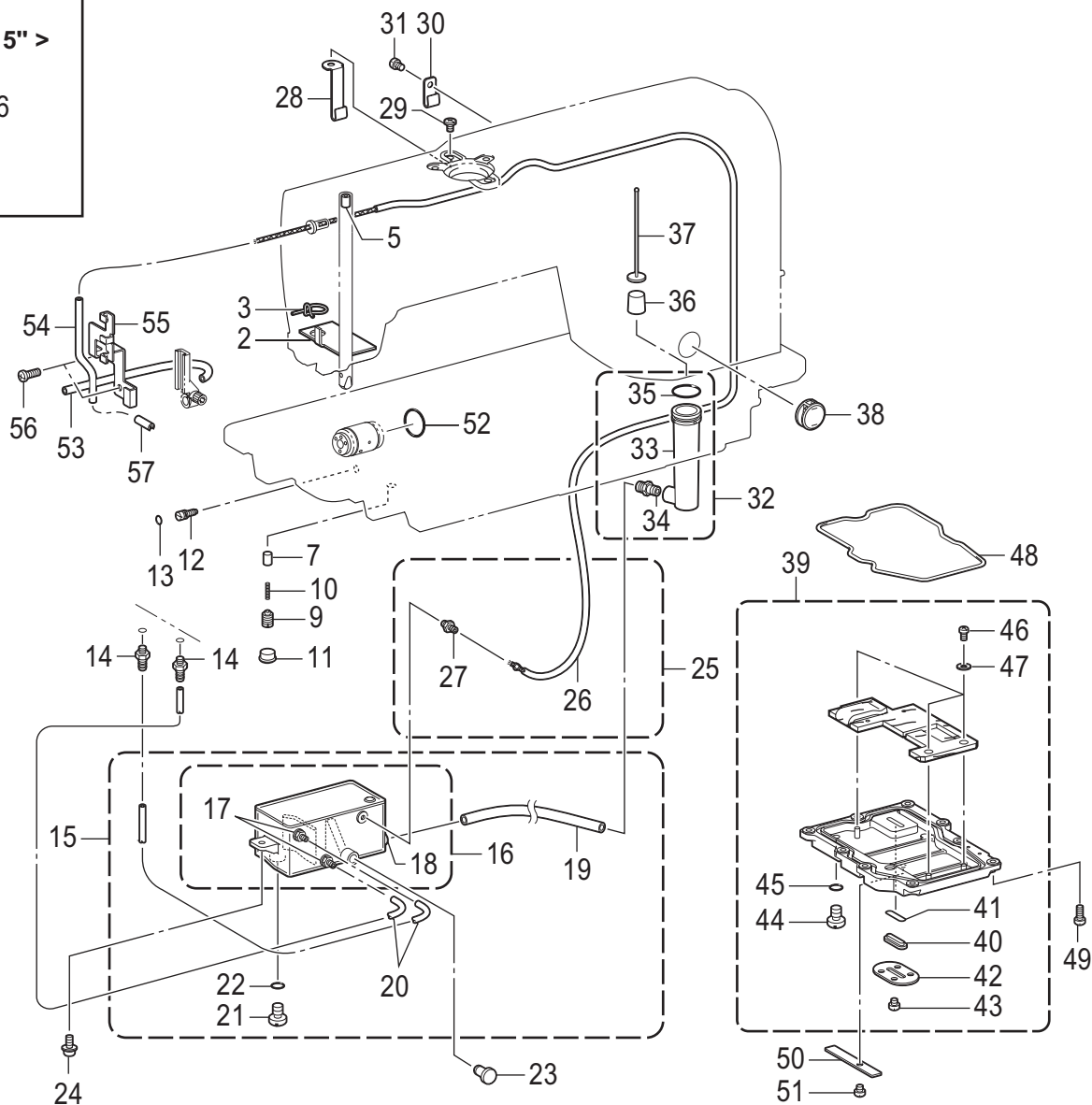
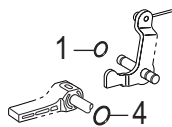
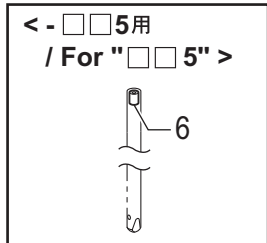
J. 給油潤滑關係 / Lubrication



J. 給油潤滑関係 / Lubrication

| REF.NO | CODE      | Q'TY | 品名                   | NAME OF PARTS                   | RM |
|--------|-----------|------|----------------------|---------------------------------|----|
| 1      | 081004070 | 1    | OリングP4               | O RING P4                       |    |
| 2      | SA4270001 | 1    | フェルト                 | FELT                            |    |
| 3      | SA6025001 | 1    | フェルトオサエ              | FELT SUPPORT                    |    |
| 4      | 081004070 | 1    | OリングP4               | O RING P4                       |    |
| 5      | S04630000 | 1    | <-□□3用><br>ハリボウセン    | <For "-□□3"><br>NEEDLE BAR CORK |    |
| 6      | 111863001 | 1    | <-□□5用><br>ハリボウセン    | <For "-□□5"><br>NEEDLE BAR CORK |    |
| 7      | 144875001 | 1    | プランジャー               | PLUNGER                         |    |
| 9      | S25380401 | 1    | ポンプフタネジ              | CAP SCREW, PUMP                 |    |
| 10     | S52764001 | 1    | プランジャーバネ             | SPRING, COMPRESSION             |    |
| 11     | 104821001 | 1    | ゴムセン10.5             | RUBBER CAP, 10.5                |    |
| 12     | SA7265101 | 1    | オイルチヨウセツネジ           | ADJUSTING SCREW                 |    |
| 13     | 081004870 | 1    | OリングS4               | O RING S4                       |    |
| 14     | S25382001 | 2    | オイルクチ                | OIL FEEDING PIPE                |    |
| 15     | SA7345101 | 1    | オイルタンクソウクミ           | OIL TANK UNIT                   |    |
| 16     | SA3158101 | 1    | オイルタンククミ             | OIL TANK ASSY                   |    |
| 17     | S25382001 | 2    | オイルクチ                | OIL FEEDING PIPE                |    |
| 18     | S51815001 | 1    | オイルクチ8.6             | OIL FEEDING PIPE, 8.6           |    |
| 19     | SA1300001 | 1    | ビニルチューブ              | VINYL TUBE                      |    |
| 20     | SA7269001 | 2    | ビニルチューブ              | VINYL TUBE                      |    |
| 21     | SA1303001 | 1    | シメネジ8                | SCREW M8                        |    |
| 22     | 081008070 | 1    | OリングP8               | O RING P8                       |    |
| 23     | 104450101 | 1    | ゴムセン8                | RUBBER CAP, 8                   |    |
| 24     | 0A4501206 | 2    | +ナベザクミ5X12DA         | SCREW PAN (S/P WASHER) M5X12    |    |
| 25     | SA6130001 | 1    | <-□0□用><br>ビニルチューブクミ | <For "-□0□"><br>OIL TUBE ASSY   |    |
| 26     | SA7562001 | 1    | ビニルチューブ              | VINYL TUBE                      |    |
| 27     | S25382001 | 1    | オイルクチ                | OIL FEEDING PIPE                |    |
| 28     | SA7338001 | 1    | チューブホルダ-L            | TUBE HOLDER L                   |    |
| 29     | 060400516 | 1    | バインド4X5              | SCREW BIND M4X5                 |    |
| 30     | SA7337001 | 1    | チューブホルダ-R            | TUBE HOLDER R                   |    |
| 31     | 062500616 | 1    | ナベコ5X6               | SCREW PAN M5X6                  |    |
| 32     | SA1306001 | 1    | サブタンククミ              | SUB TANK ASSY                   |    |
| 33     | SA1307001 | 1    | サブタンク                | SUB TANK                        |    |
| 34     | S51815001 | 1    | オイルクチ8.6             | OIL FEEDING PIPE, 8.6           |    |
| 35     | 081022870 | 1    | OリングS22              | O RING S22                      |    |
| 36     | S47487001 | 1    | オイルゲージウキ             | FLOAT                           |    |
| 37     | SA1309001 | 1    | オイルゲージ               | OIL GAGE                        |    |
| 38     | S47509001 | 1    | ユリヨウケイマド             | OIL GAUGE WINDOW                |    |
| 39     | SA4552001 | 1    | ベッドソコフタソウクミ          | BED BOTTOM COVER UNIT           |    |
| 40     | S51272100 | 1    | ソコフタマド               | OIL WINDOW, B-COVER             |    |
| 41     | 081015870 | 1    | OリングS15              | O RING S15                      |    |
| 42     | SA1313101 | 1    | マドフタ                 | WINDOW COVER                    |    |
| 43     | 062500616 | 4    | ナベコ5X6               | SCREW PAN M5X6                  |    |
| 44     | SA1303001 | 1    | シメネジ8                | SCREW M8                        |    |
| 45     | 081008070 | 1    | OリングP8               | O RING P8                       |    |
| 46     | 062400616 | 3    | ナベコ4X6               | SCREW PAN M4X6                  |    |
| 47     | 025040332 | 3    | ヒラザガネダイ4             | WASHER PLAIN L 4                |    |
| 48     | SA1314001 | 1    | ソコフタパツキン             | BOTTOM COVER PACKING            |    |
| 49     | 062501216 | 9    | ナベコ5X12              | SCREW PAN M5X12                 |    |
| 50     | SA1316001 | 1    | コードオサエイタ             | CORD HOLDER PLATE               |    |
| 51     | 062500616 | 1    | ナベコ5X6               | SCREW PAN M5X6                  |    |
| 52     | 081029870 | 1    | OリングS29              | O RING S29                      |    |

J. 給油潤滑關係 / Lubrication

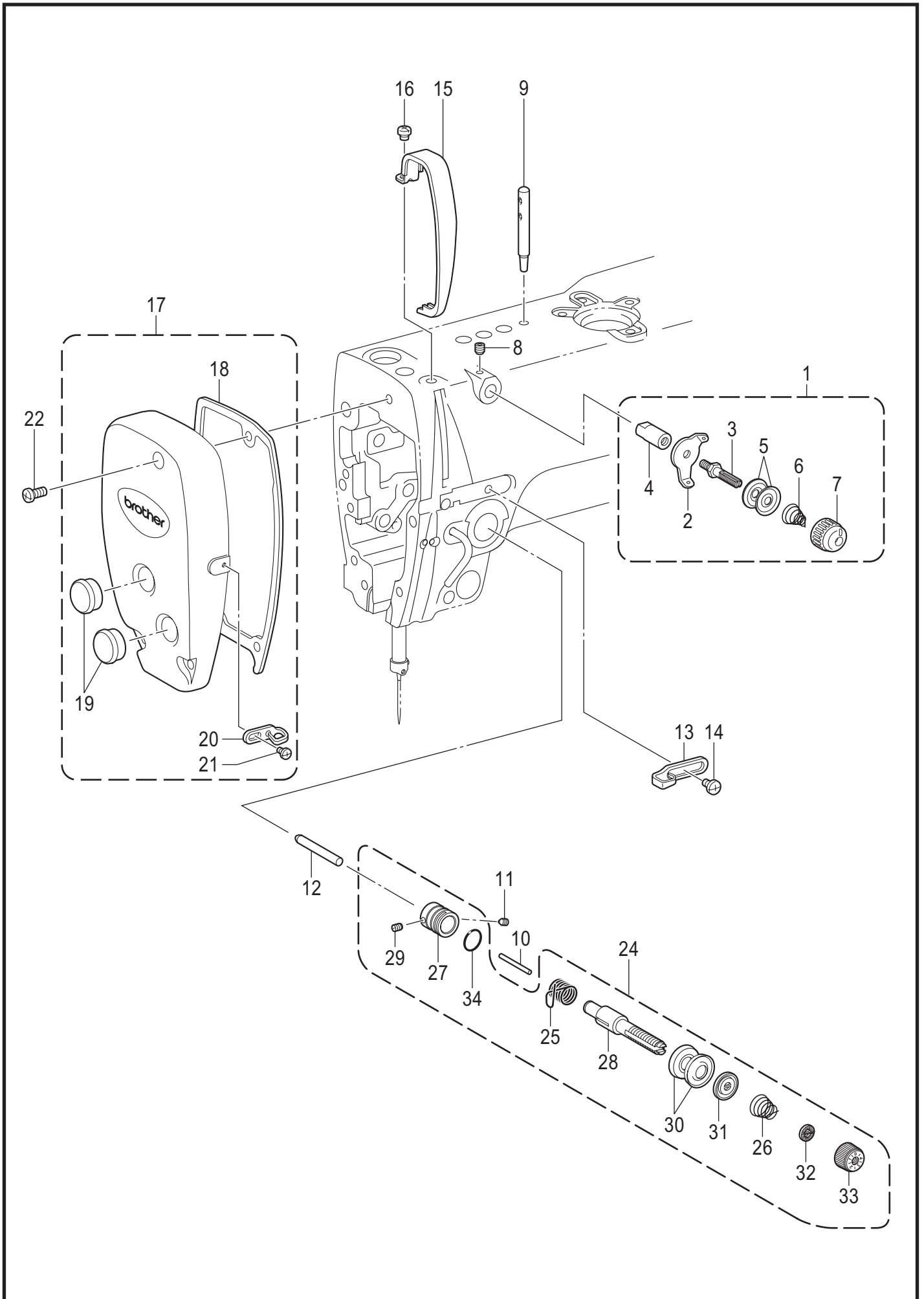




J. 給油潤滑関係 / Lubrication

| REF.NO | CODE      | Q'TY | 品名         | NAME OF PARTS              | RM |
|--------|-----------|------|------------|----------------------------|----|
|        |           |      | <-□□□用>    | <For "-□□□">               |    |
| 53     | SA7503001 | 1    | ビニルチューブ    | VINYL TUBE                 |    |
| 54     | SA7505001 | 1    | ビニルチューブ    | VINYL TUBE                 |    |
| 55     | SA7410201 | 1    | チューブアンナイ   | TUBE GUIDE                 |    |
| 56     | 062501016 | 2    | ナベコ5X10    | SCREW PAN M5X10            |    |
| 57     | S08004001 | 1    | クミヒモササエ    | WICK SUPPORT               |    |
| 58     | SA1321401 | 1    | オイルパンクミ    | OIL PAN                    |    |
| 59     | SA1322301 | 1    | オイルパン      | OIL PAN                    |    |
| 60     | 149578000 | 4    | ヨコジクブツシュ   | BUSH                       |    |
| 61     | SA1323001 | 1    | ヒザアゲヨコジクL  | KNEE LIFTER SHAFT L        |    |
| 62     | SA1324001 | 1    | ヒザアゲヨコジクR  | KNEE LIFTER SHAFT R        |    |
| 63     | SA1325001 | 1    | ヒザアゲ       | KNEE LIFTER                |    |
| 64     | SA1326101 | 1    | ヒザアゲR      | KNEE LIFTER, R             |    |
| 65     | S25344001 | 2    | ボルト6       | BOLT M6                    |    |
| 66     | S25475101 | 2    | トメネジ6      | SET SCREW, M6X19           |    |
| 67     | 021060306 | 2    | 3シュナット6    | NUT 3 M6                   |    |
| 68     | SA3508001 | 1    | ヒザアゲネジリバネ  | TWIST SPRING               |    |
| 69     | 146293001 | 2    | トメワE10     | RETAINING RING, E10        |    |
| 70     | SA1327101 | 1    | ヒザアゲレンケツカン | KNEE LIFTER CONNECTING ROD |    |
| 71     | SA1179001 | 2    | ダンネジ5      | SHOULDER SCREW, M5         |    |

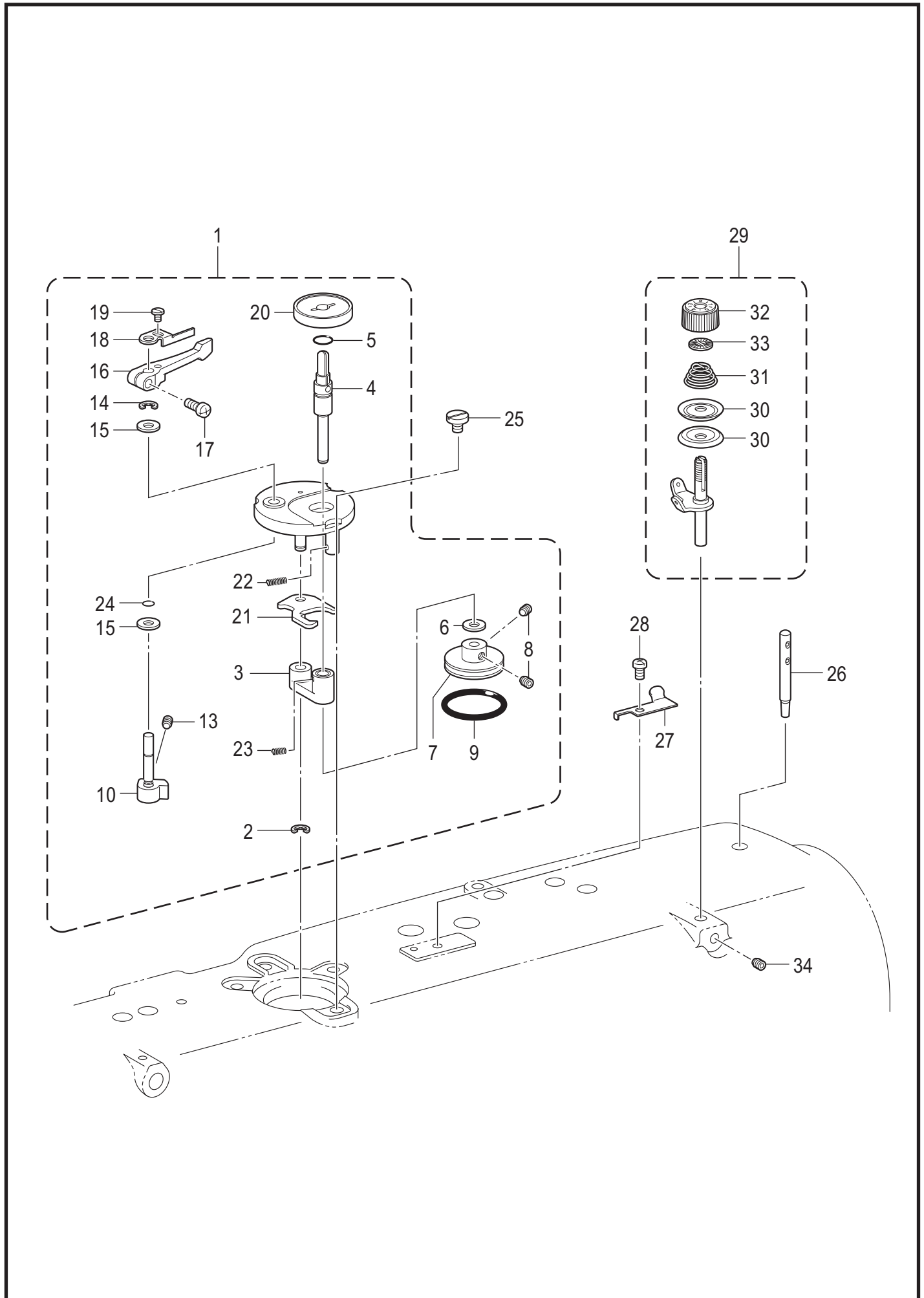
K. 糸通し関係 / Threading mechanism



K. 糸通し関係 / Threading mechanism

| REF.NO | CODE      | Q'TY | 品名           | NAME OF PARTS               | RM |
|--------|-----------|------|--------------|-----------------------------|----|
| 1      | SA2352101 | 1    | プレテンションクミB   | PRE-TENSION ASSY B          |    |
| 2      | SA2362001 | 1    | イトアンナイ       | THREAD GUIDE                |    |
| 3      | S45563001 | 1    | イトアンナイチヨウシボウ | THREAD GUIDE TENSION STUD   |    |
| 4      | SA2363001 | 1    | プレテンションダイ    | PRE-TENSION BASE            |    |
| 5      | 144504001 | 2    | イトアンナイサラ     | THREAD GUIDE DISC           |    |
| 6      | SA2358101 | 1    | プレテンションバネB   | PRE-TENSION SPRING B        |    |
| 7      | SA6167001 | 1    | イトチヨウシナット    | THREAD TENSION NUT          |    |
| 8      | 012500536 | 1    | アナヒラ5X5      | SET SCREW SOCKET (FT) M5X5  |    |
| 9      | SA1359001 | 1    | イトタテボウ       | SPOOL PIN                   |    |
| 10     | S01419000 | 1    | イトユルメピン      | TENSION RELEASE PIN         |    |
| 11     | SA1229101 | 1    | アナトメネジ6トガリ   | SET SCREW (FT) M6X6         |    |
| 12     | SA1343001 | 1    | イトユルメボウ      | TENSION RELEASE STUD        |    |
| 13     | SA1345001 | 1    | ア-ムイトアンナイR   | ARM THREAD GUIDE, R         |    |
| 14     | 060500616 | 1    | バインド5X6      | SCREW BIND M5X6             |    |
| 15     | SA1342001 | 1    | テンピンカバー      | THREAD TAKE-UP LEVER COVER  |    |
| 16     | 062500616 | 1    | ナベコ5X6       | SCREW PAN M5X6              |    |
| 17     | SA1961101 | 1    | メンイタクミ       | FACE PLATE ASSY             |    |
| 18     | SA1291001 | 1    | メンイタパツキン     | FACE PLATE PACKING          |    |
| 19     | 104449001 | 2    | ゴムセン15.5     | RUBBER CAP, 15.5            |    |
| 20     | SA7271001 | 1    | メンイタイトアンナイ   | FACE PLATE THREAD GUIDE     |    |
| 21     | 060350616 | 1    | バインド35X6     | SCREW BIND M3.5X6           |    |
| 22     | 062501816 | 3    | ナベコ5X18      | SCREW, PAN M5X18            |    |
|        |           |      | <-□□3用>      | <For "-□□3">                |    |
| 24     | SA7273001 | 1    | イトチヨウシボウダイクミ | THREAD TENSION BRACKET ASSY |    |
| 25     | S02620201 | 1    | イトトリバネ       | THREAD TAKE-UP SPRING       |    |
| 26     | SA7275001 | 1    | イトチヨウシバネ     | TENSION SPRING              |    |
|        |           |      | <-□□5用>      | <For "-□□5">                |    |
| 24     | S55655201 | 1    | イトチヨウシボウダイクミ | THREAD TENSION BRACKET ASSY |    |
| 25     | S02620201 | 1    | イトトリバネ       | THREAD TAKE-UP SPRING       |    |
| 26     | S04632101 | 1    | イトチヨウシバネ     | TENSION SPRING              |    |
| 27     | S40938001 | 1    | イトチヨウシボウタイ   | THREAD TENSION BRACKET      |    |
| 28     | 116922001 | 1    | イトチヨウシボウ     | TENSION STUD                |    |
| 29     | 100402004 | 1    | トメネジ3.57     | SET SCREW, SM3.57           |    |
| 30     | 145446001 | 2    | イトチヨウシサラ     | DISC, TENSION               |    |
| 31     | 159805001 | 1    | イトチヨウシサラオサエ  | TENSION DISC PRESSER        |    |
| 32     | S12441001 | 1    | チヨウシバネウエザガネ  | WASHER                      |    |
| 33     | S31032001 | 1    | イトチヨウシナット    | TENSION NUT                 |    |
| 34     | 114294001 | 1    | Oリング         | O-RING                      |    |

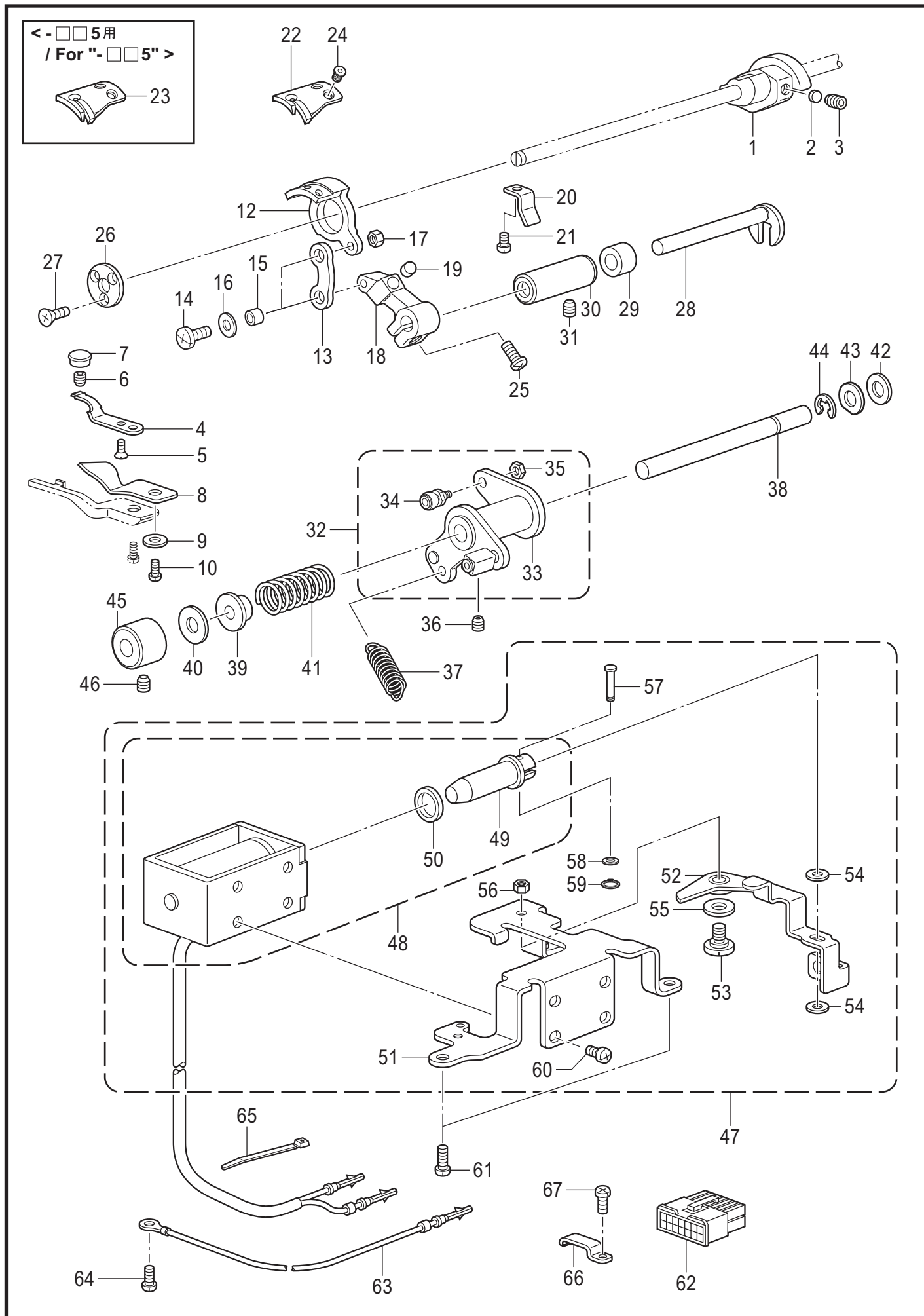
L . 糸巻関係 / Bobbin winder mechanism



## L. 糸巻関係 / Bobbin winder mechanism

| REF.NO | CODE      | Q'TY | 品名          | NAME OF PARTS               | RM |
|--------|-----------|------|-------------|-----------------------------|----|
| 1      | SA1971101 | 1    | イトマキユニット    | BOBBIN WINDER UNIT          |    |
| 2      | 048040342 | 1    | トメワE4       | RETAINING RING E4           |    |
| 3      | SA1975001 | 1    | イトマキジクウケクミ  | B-WINDER SHAFT SUPPORT ASSY |    |
| 4      | SA1978001 | 1    | イトマキジク      | BOBBIN WINDER SHAFT         |    |
| 5      | 081009070 | 1    | OリングP9      | O RING P9                   |    |
| 6      | 025060136 | 1    | ヒラザガネシヨウ6   | WASHER PLAIN S 6            |    |
| 7      | SA1980001 | 1    | イトマキクルマ     | BOBBIN WINDER WHEEL         |    |
| 8      | 012500536 | 2    | アナヒラ5X5     | SET SCREW SOCKET (FT) M5X5  |    |
| 9      | S25789000 | 1    | ゴムワ29       | RUBBER RING, 29             |    |
| 10     | SA1981101 | 1    | ボビンオサエカムクミ  | BOBBIN PRESSER CAM ASSY     |    |
| 13     | 012500536 | 1    | アナヒラ5X5     | SET SCREW SOCKET (FT) M5X5  |    |
| 14     | 048040342 | 1    | トメワE4       | RETAINING RING E4           |    |
| 15     | 025060136 | 2    | ヒラザガネシヨウ6   | WASHER PLAIN S 6            |    |
| 16     | SA1984001 | 1    | ボビンオサエウデ    | BOBBIN PRESSER ARM          |    |
| 17     | 062401216 | 1    | ナベコ4X12     | SCREW PAN M4X12             |    |
| 18     | SA1985001 | 1    | ボビンオサエ      | BOBBIN PRESSER              |    |
| 19     | S23418002 | 1    | シメネジ4X5     | SCREW M4X5                  |    |
| 20     | SA1988001 | 1    | ボビンウケ       | BOBBIN SUPPORT              |    |
| 21     | SA1989001 | 1    | イトマキレバー     | BOBBIN WINDER LEVER         |    |
| 22     | SA1990101 | 1    | モドシバネ       | SPRING                      |    |
| 23     | SA1991001 | 1    | イトマキダイバネ    | BOBBIN WINDER BASE SPRING   |    |
| 24     | SA2190001 | 1    | OリングSS5     | O RING, SS5                 |    |
| 25     | SA1992101 | 3    | イトマキコティネジ   | BOBBIN WINDER FIXED SCREW   |    |
| 26     | SA1359001 | 1    | イトタテボウ      | SPOOL PIN                   |    |
| 27     | SA1360101 | 1    | メス          | KNIFE                       |    |
| 28     | 062500616 | 1    | ナベコ5X6      | SCREW PAN M5X6              |    |
| 29     | SA1994101 | 1    | イトマキチヨウシクミ  | BOBBIN WINDER TENSION ASSY  |    |
| 30     | 145446002 | 2    | イトチヨウシサラ    | DISC, TENSION               |    |
| 31     | 100401022 | 1    | イトチヨウシバネ    | TENSION SPRING              |    |
| 32     | S31032001 | 1    | イトチヨウシナツ    | TENSION NUT                 |    |
| 33     | S12441001 | 1    | チヨウシバネウエザガネ | WASHER                      |    |
| 34     | 012500536 | 1    | アナヒラ5X5     | SET SCREW SOCKET (FT) M5X5  |    |

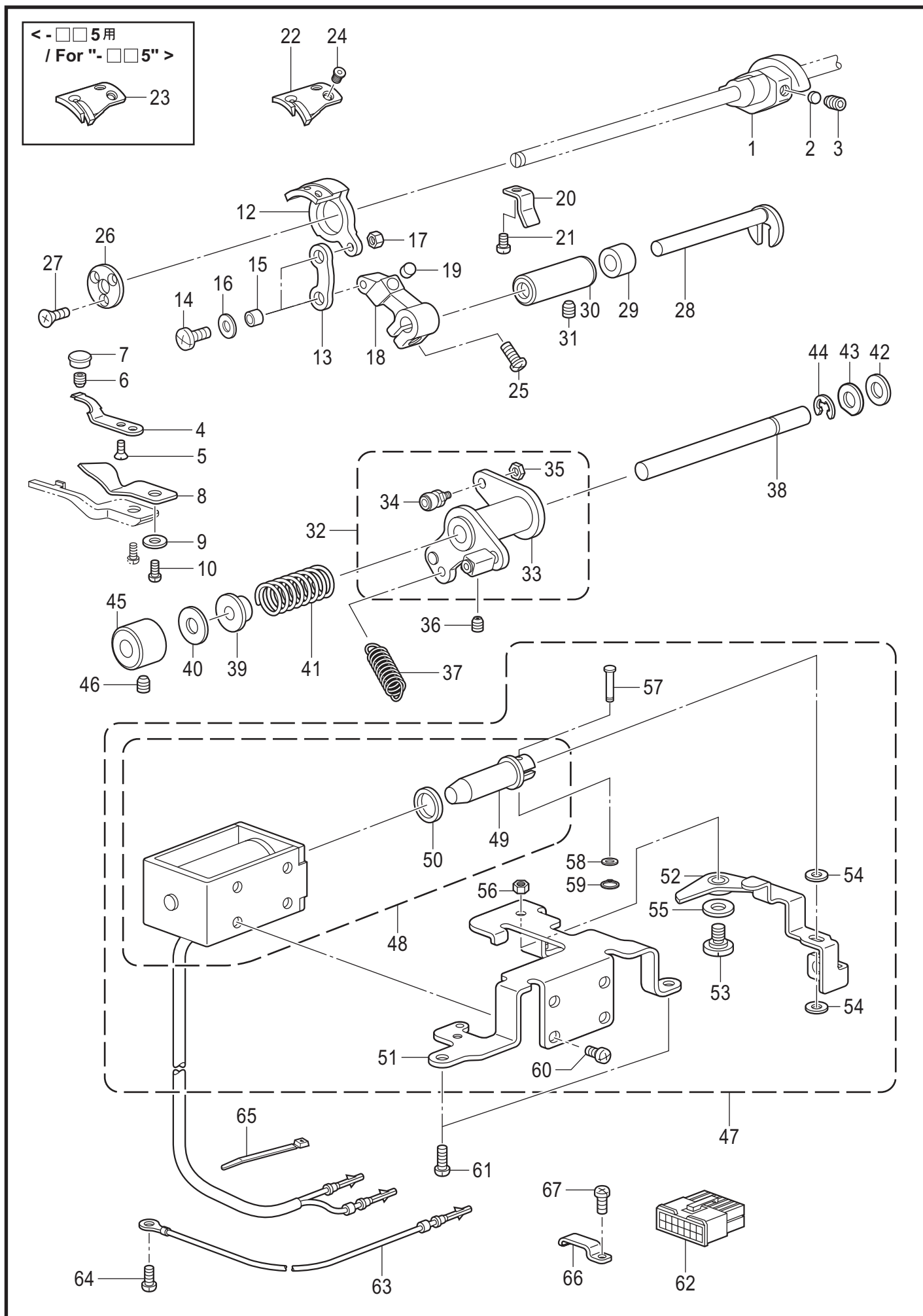
M.糸切り関係 / Thread trimmer mechanism



## M. 糸切り関係 / Thread trimmer mechanism

| REF.NO | CODE      | Q'TY | 品名               | NAME OF PARTS                    | RM |
|--------|-----------|------|------------------|----------------------------------|----|
| 1      | SA7552001 | 1    | イトキリカム           | THREAD TRIMMER CAM               |    |
| 2      | 154567000 | 2    | カンザ5.3           | SPACER, 5.3                      |    |
| 3      | 014771032 | 2    | アナクボミ635-40X10   | SET SCREW SOCKET SM6.35-40X10    |    |
| 4      | 159540001 | 1    | コテイハ             | FIXED KNIFE                      |    |
| 5      | 102843004 | 1    | サラネジ3.57         | SCREW, FLAT SM3.57               |    |
| 6      | 014400632 | 1    | アナクボミ4X6         | SET SCREW SOCKET (CP) M4X6       |    |
| 7      | 142274101 | 1    | ゴムセン4.2          | RUBBER CAP, 4.2                  |    |
| 8      | S02643001 | 1    | イトサバキ            | LOWER THREAD FINGER              |    |
| 9      | 026040236 | 1    | ヒラザガネミガキ4        | WASHER PLAIN M 4                 |    |
| 10     | 062400616 | 1    | ナベコ4X6           | SCREW PAN M4X6                   |    |
| 12     | SA7283001 | 1    | イトキリホルダ          | HOLDER, M-KNIFE                  |    |
| 13     | S25426101 | 1    | イトキリレンカン         | THREAD TRIMMER CONNECTING ROD    |    |
| 14     | SA7577001 | 2    | バインドM4X10シール     | SCREW BIND M4X10 SEAL            |    |
| 15     | SA5329001 | 2    | カラ               | COLLAR                           |    |
| 16     | 100645003 | 2    | ザガネ              | WASHER                           |    |
| 17     | 021400306 | 1    | 3シュナット4          | NUT 3 M4                         |    |
| 18     | SA7284201 | 1    | イトキリレバー          | THREAD TRIMMER LEVER             |    |
| 19     | SA7285001 | 1    | レバーストツパ          | LEVER STOPPER                    |    |
| 20     | SA7341101 | 1    | イトキリストツパーイタ      | THREAD TRIMMER STOPPER BASE      |    |
| 21     | 062400616 | 1    | ナベコ4X6           | SCREW PAN M4X6                   |    |
| 22     | 159541001 | 1    | <-□□3用><br>イドウハ  | <For "-□□3"><br>MOVABLE KNIFE    |    |
| 23     | 159915001 | 1    | <-□□5用><br>イドウハS | <For "-□□5"><br>MOVABLE KNIFE, S |    |
| 24     | 148537101 | 2    | サラネジ4.37         | SCREW, FLAT (W/SOCKET) SM4.37    |    |
| 25     | 062501416 | 1    | ナベコ5X14          | SCREW PAN M5X14                  |    |
| 26     | SA7287001 | 1    | イトキリホルダオサエイタ     | KNIFE HOLDER PRESSER PLATE       |    |
| 27     | 004301016 | 3    | +サラコ3X10         | SCREW FLAT M3X10                 |    |
| 28     | S02647021 | 1    | フタマタジク           | FORKED SHAFT                     |    |
| 29     | S02648001 | 1    | カラ               | COLLAR                           |    |
| 30     | 154581001 | 1    | フタマタジクメタル        | FORKED SHAFT BUSH                |    |
| 31     | 012060536 | 1    | アナヒラ6X5          | SET SCREW, SOCKET (FT) M6X5      |    |
| 32     | SA1362101 | 1    | イトキリカムレバーソウクミ    | THREAD TRIMMER LEVER UNIT        |    |
| 33     | SA1363001 | 1    | イトキリカムレバークミ      | THREAD TRIMMER LEVER ASSY        |    |
| 34     | SA2258001 | 1    | コロジクCクミ          | ROLLER SHAFT, C ASSY             |    |
| 35     | 105234003 | 1    | ナツト4.37          | NUT SM4.37                       |    |
| 36     | S23651001 | 1    | アナヒラ6X6ホソメ       | SET SCREW SOCKET (FT) M6X6       |    |
| 37     | SA2383001 | 1    | カムレバーバネ          | CAM LEVER SPRING                 |    |
| 38     | 154593201 | 1    | イトキリカムレバージク      | THREAD TRIMMER CAM LEVER SHAFT   |    |
| 39     | 154594000 | 1    | カラ               | COLLAR                           |    |
| 40     | S25434000 | 1    | クツシヨンゴム          | RUBBER CUSHION                   |    |
| 41     | 154595001 | 1    | カムレバーモドシバネ       | SPRING, EXTENSION                |    |
| 42     | 154596000 | 1    | イトキリカムレバークツシヨン   | CUSHION                          |    |
| 43     | 110367001 | 1    | ザガネ              | WASHER, PLAIN SPECIAL 8          |    |
| 44     | 048060342 | 1    | トメワE6            | RETAINING RING E6                |    |
| 45     | SA1366001 | 1    | カムレバージクメタル       | CAM LEVER SHAFT BUSH             |    |
| 46     | 012060536 | 1    | アナヒラ6X5          | SET SCREW, SOCKET (FT) M6X5      |    |
| 47     | SA1391601 | 1    | イトキリソレノイドクミ      | THREAD TRIMMER SOLENOID ASSY     |    |
| 48     | SA1392001 | 1    | イトキリソレノイド        | THREAD TRIMMER SOLENOID          |    |
| 49     | SA1393001 | 1    | ソレノイドプランジヤ-      | SOLENOID PLUNGER                 |    |
| 50     | S36893050 | 1    | ゴムクツシヨン          | RUBBER CUSHION                   |    |
| 51     | SA1367201 | 1    | イトキリソレノイドダイ      | THREAD TRIMMER SOLENOID BASE     |    |
| 52     | SA7898101 | 1    | ソレノイドレバー         | SOLENOID LEVER                   |    |
| 53     | SA7899001 | 1    | ダンネジ6            | SHOLDER SCREW M6                 |    |
| 54     | SA2097101 | 2    | シヨウオンシート         | SILENT SHEET                     |    |
| 55     | SA7900001 | 1    | ヒラザガネ            | WASHER PLAIN                     |    |
| 56     | 021060306 | 1    | 3シュナット6          | NUT 3 M6                         |    |
| 57     | SA7288001 | 1    | レンケツピン           | PIN                              |    |
| 58     | 025040232 | 1    | ヒラザガネチュウ4        | WASHER PLAIN M 4                 |    |

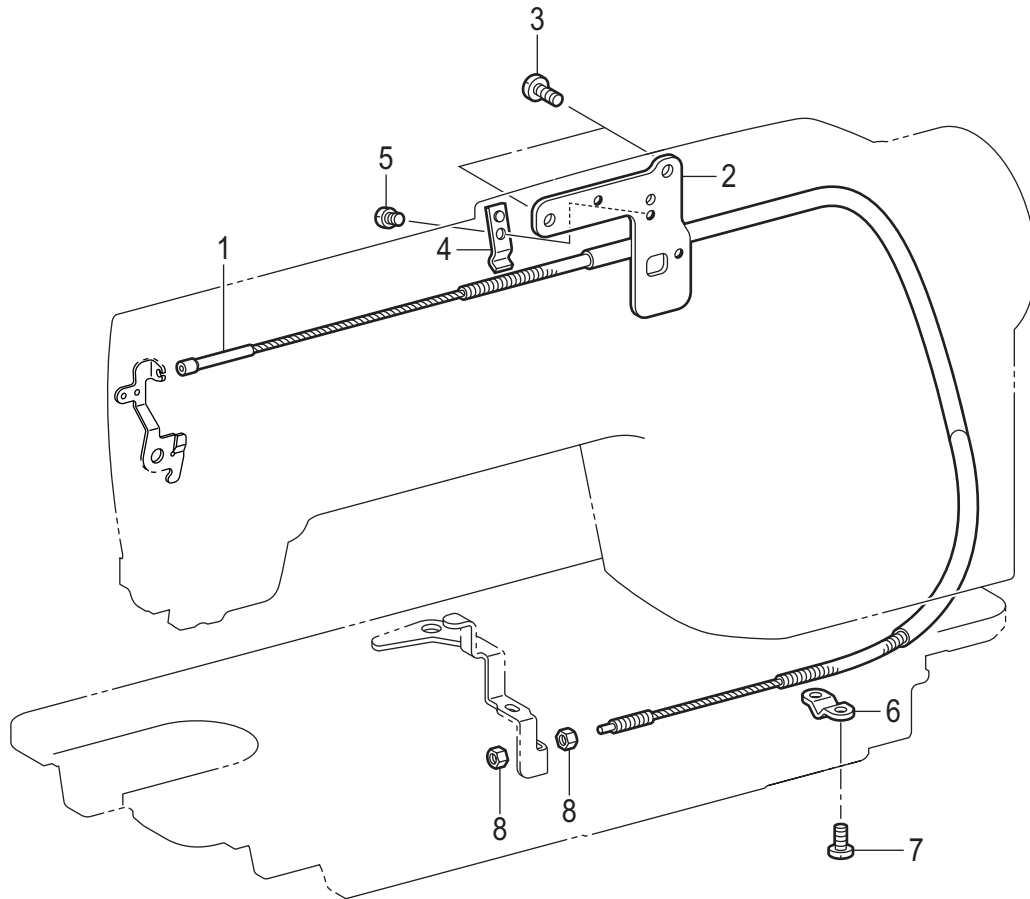
M.糸切り関係 / Thread trimmer mechanism





## M. 糸切り関係 / Thread trimmer mechanism

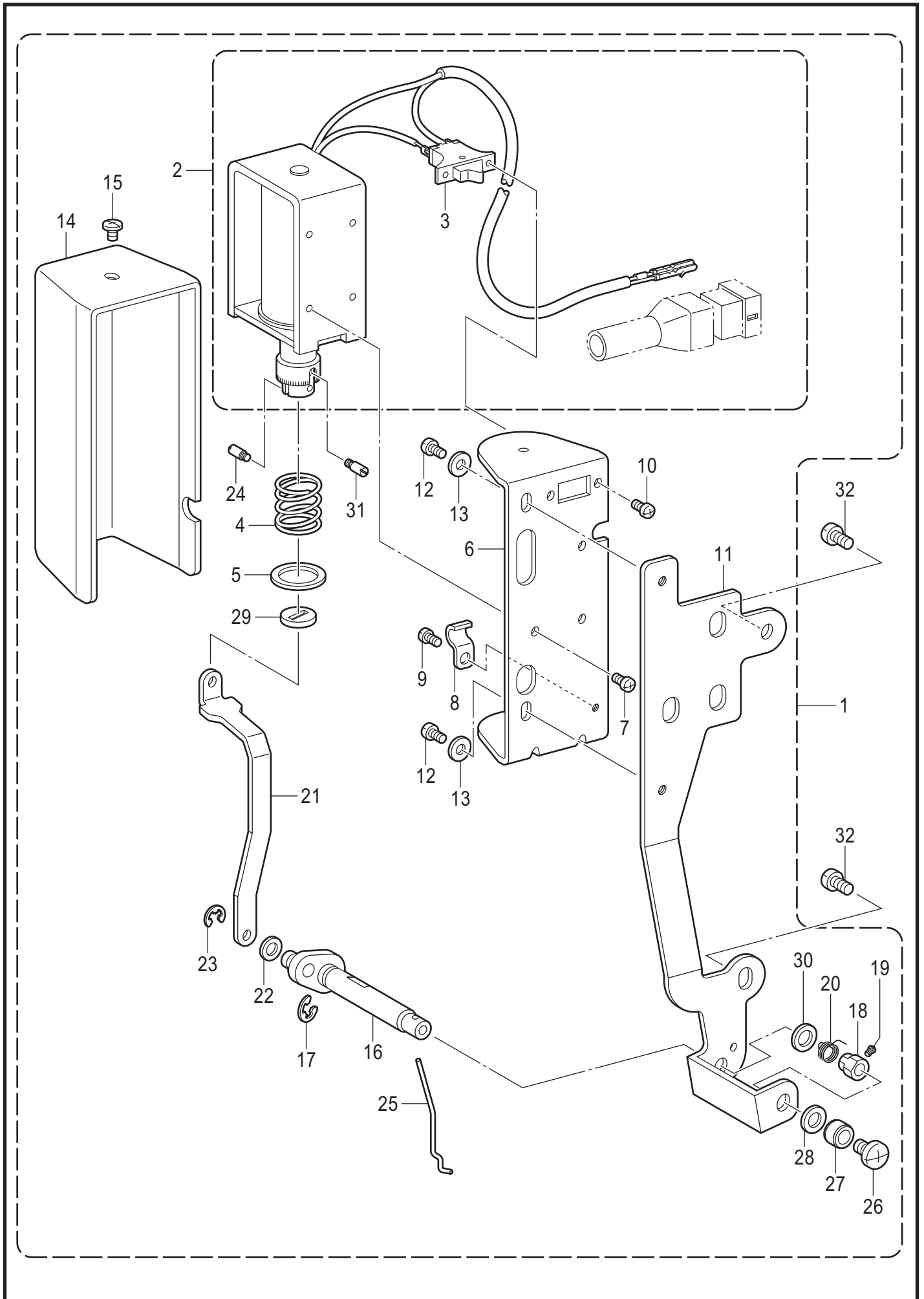
| REF.NO | CODE      | Q'TY | 品名           | NAME OF PARTS              | RM |
|--------|-----------|------|--------------|----------------------------|----|
| 59     | 048040142 | 1    | トメワジクヨウC4    | RETAINING RING EXTERNAL C4 |    |
| 60     | 062400816 | 4    | ナベコ4X8       | SCREW PAN M4X8             |    |
| 61     | 062501216 | 3    | ナベコ5X12      | SCREW PAN M5X12            |    |
| 62     | S38687000 | 1    | コネクタ5557-14R | CONNECTOR, 5557-14R        |    |
| 63     | SA1998001 | 1    | アースセンクミ      | GROUND WIRE ASSY           |    |
| 64     | 062500816 | 1    | ナベコ5X8       | SCREW PAN M5X8             |    |
| 65     | SA2868001 | 2    | バンド          | BAND                       |    |
| 66     | SA1394101 | 1    | コードオサエU3     | CORD HOLDER U3             |    |
| 67     | 062500816 | 1    | ナベコ5X8       | SCREW PAN M5X8             |    |



## N. 糸緩め関係 / Tension release mechanism

| REF.NO | CODE      | Q'TY | 品名            | NAME OF PARTS        | RM |
|--------|-----------|------|---------------|----------------------|----|
| 1      | SA1371201 | 1    | イトユルメワイヤー     | TENSION RELEASE WIRE |    |
| 2      | SA7414101 | 1    | ワイヤーホルダ-U     | WIRE HOLDER U        |    |
| 3      | 062500816 | 2    | ナベコ5X8        | SCREW PAN M5X8       |    |
| 4      | SA1373001 | 1    | ワイヤーオサエU      | WIRE HOLDER, U       |    |
| 5      | 060400516 | 1    | バインド4X5       | SCREW BIND M4X5      |    |
| 6      | 154607101 | 1    | イトユルメワイヤーオサエD | WIRE HOLDER, D       |    |
| 7      | 060400816 | 2    | バインド4X8       | SCREW BIND M4X8      |    |
| 8      | 110161004 | 2    | ナツト4.76       | NUT, SM4.76          |    |

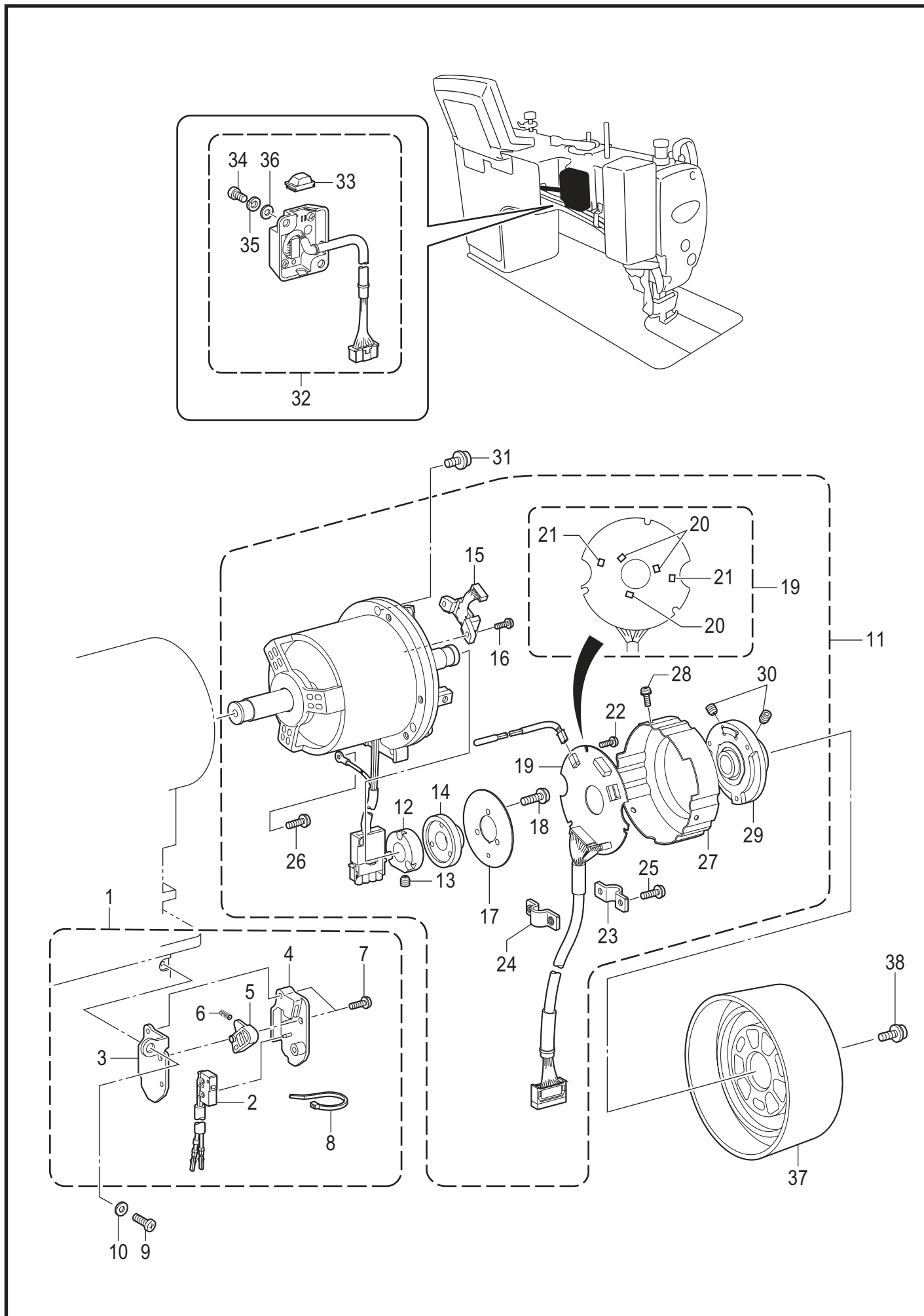
P. 糸払い関係 / Thread wiper mechanism



P. 糸払い関係 / Thread wiper mechanism

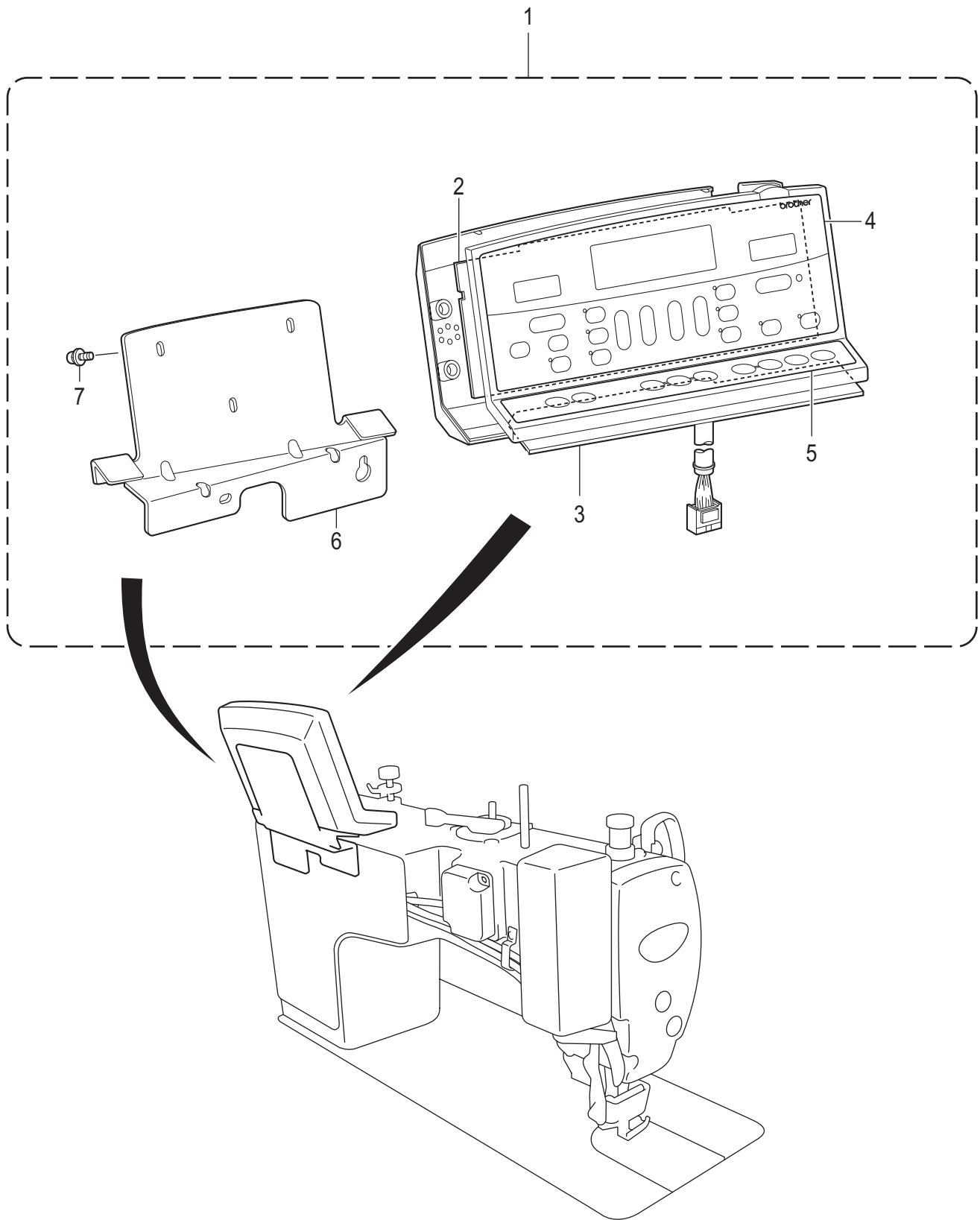
| REF.NO | CODE      | Q'TY | 品名            | NAME OF PARTS              | RM |
|--------|-----------|------|---------------|----------------------------|----|
| 1      | SA1374301 | 1    | イトハライソウチクミ    | THREAD WIPER DEVICE ASSY   |    |
| 2      | SA1396001 | 1    | イトハライソレノイドクミ  | THREAD WIPER SOLENOID ASSY |    |
| 3      | S02664051 | 1    | イトハライスイッチ     | THREAD WIPER SWITCH        |    |
| 4      | S41206001 | 1    | イトハライバネ       | THREAD WIPER SPRING        |    |
| 5      | S41205001 | 1    | ヒラザガネ         | WASHER, PLAIN              |    |
| 6      | S25449201 | 1    | ソレノイドトリツケイタ   | SOLENOID SETTING PLATE     |    |
| 7      | 062300616 | 3    | ナベコ3X6        | SCREW PAN M3X6             |    |
| 8      | 140647101 | 1    | コードオサエ        | CORD HOLDER                |    |
| 9      | 062300616 | 1    | ナベコ3X6        | SCREW PAN M3X6             |    |
| 10     | 062300616 | 2    | ナベコ3X6        | SCREW PAN M3X6             |    |
| 11     | SA1376001 | 1    | イトハライドダイ      | THREAD WIPER BASE          |    |
| 12     | 062400616 | 2    | ナベコ4X6        | SCREW PAN M4X6             |    |
| 13     | 026040236 | 2    | ヒラザガネミガキ4     | WASHER PLAIN M 4           |    |
| 14     | SA8002001 | 1    | ソレノイドカバー      | SOLENOID COVER             |    |
| 15     | 060400516 | 1    | バインド4X5       | SCREW BIND M4X5            |    |
| 16     | SA1967001 | 1    | イトハライクランククミ   | THREAD WIPER CRANK ASSY    |    |
| 17     | 048040342 | 1    | トメワE4         | RETAINING RING E4          |    |
| 18     | S25454001 | 1    | セットカラー        | SET SCREW COLLAR           |    |
| 19     | S25279101 | 1    | アタマトメクボミM35-5 | SET SCREW (CP) M3.5-5      |    |
| 20     | SA2287001 | 1    | ワイパーバネ        | SPRING                     |    |
| 21     | SA1377001 | 1    | イトハライロッド      | THREAD WIPER ROD           |    |
| 22     | 110735002 | 1    | ザガネ           | WASHER                     |    |
| 23     | 048030342 | 1    | トメワE3         | RETAINING RING E3          |    |
| 24     | S25456001 | 1    | プランジヤピン       | PLUNGER PIN                |    |
| 25     | SA1378201 | 1    | イトハライ         | THREAD WIPER               |    |
| 26     | 060400516 | 1    | バインド4X5       | SCREW BIND M4X5            |    |
| 27     | 146288001 | 1    | イトハライジクカラー    | THREAD WIPER STUD COLLAR   |    |
| 28     | S03677001 | 1    | ザガネ           | WASHER                     |    |
| 29     | S41207000 | 1    | スペーサゴム        | SPACER RUBBER              |    |
| 30     | 149097000 | 1    | シヨウオンシート      | SILENT SHEET               |    |
| 31     | S25456001 | 2    | プランジヤピン       | PLUNGER PIN                |    |
| 32     | 062500816 | 2    | ナベコ5X8        | SCREW PAN M5X8             |    |

Q1 .コントロールボックス、モータ関係 / Control box and motor mechanism



Q1. コントロールボックス、モータ関係 / Control box and motor mechanism

| REF.NO | CODE      | Q'TY | 品名             | NAME OF PARTS                  | RM |
|--------|-----------|------|----------------|--------------------------------|----|
| 1      | SA7291101 | 1    | セーフティスイッチクミ    | SAFETY SWITCH ASSY             |    |
| 2      | SA7325001 | 1    | マイクロスイッチクミ     | MICRO SWITCH ASSY              |    |
| 3      | SA7292101 | 1    | セーフティスイッチイタ    | SAFETY SWITCH PLATE            |    |
| 4      | SA5730101 | 1    | セーフティスイッチベース   | SAFETY SWITCH BASE             |    |
| 5      | SA5732001 | 1    | セーフティスイッチレバー   | SAFETY SWITCH LEVER            |    |
| 6      | SA5731001 | 1    | セーフティスイッチバネ    | SAFETY SWITCH SPRING           |    |
| 7      | SA7293001 | 2    | ナベザクミM3X12     | SCREW, PAN (S/P W) M3X12       |    |
| 8      | SA2868001 | 1    | バンド            | BAND                           |    |
| 9      | 062060816 | 1    | ナベコ6X8         | SCREW PAN M6X8                 |    |
| 10     | 025060136 | 1    | ヒラザガネシヨウ6      | WASHER PLAIN S 6               |    |
| 11     | J03940001 | 1    | モータクミCDD-HS    | MOTOR ASSY CDD-HS              |    |
| 12     | J03955001 | 1    | ドラムコテイCDD      | DRUM CDD                       |    |
| 13     | 014400632 | 2    | アナクボミ4X6       | SET SCREW SOCKET (CP) M4X6     |    |
| 14     | J03956001 | 1    | ジシヤク180P36     | MAGNET 180P36                  |    |
| 15     | J03957001 | 1    | MRセンサクミ180P    | MR SENSOR ASSY 180P            |    |
| 16     | 0A4300806 | 2    | +ナベザクミ3X8DA    | SCREW PAN (S/P WASHER) M3X8    |    |
| 17     | J03958001 | 1    | シヤヘイイタCDD      | SHIELD PLATE CDD               |    |
| 18     | 0A4261006 | 3    | +ナベザクミ26X10DA  | SCREW PAN (S/P WASHER) M2.6X10 |    |
| 19     | J04487001 | 1    | CDD-ENCキバンクミ#2 | PCB ASSY CDD-ENC#2             |    |
| 20     | J03983001 | 3    | ホルICEW-400     | HALL ELEMENT: ICEW-400         |    |
| 21     | J03984001 | 2    | ホルICEW-450     | HALL ELEMENT: ICEW-450         |    |
| 22     | 0A5300606 | 3    | +ナベザクミ3X6DB    | SCREW PAN (S/P WASHER) M3X6    |    |
| 23     | J03961001 | 1    | コードオサエ(アナ)     | CORD HOLDER (HOLE)             |    |
| 24     | J03962001 | 1    | コードオサエ(ネジ)     | CORD HOLDER (TAPPING)          |    |
| 25     | 0A4401606 | 2    | +ナベザクミ4X16DA   | SCREW PAN (S/P WASHER) M4X16   |    |
| 26     | 0A4401006 | 1    | +ナベザクミ4X10DA   | SCREW PAN (S/P WASHER) M4X10   |    |
| 27     | J04296001 | 1    | エンコーダカバー-CDD#2 | ENCODER COVER CDD#2            |    |
| 28     | 0A4300806 | 3    | +ナベザクミ3X8DA    | SCREW PAN (S/P WASHER) M3X8    |    |
| 29     | J03964001 | 1    | プーリリツケダイクミCDD  | PULLEY HOLDER ASSY CDD         |    |
| 30     | 014500632 | 2    | アナクボミ5X6       | SET SCREW SOCKET (CP) M5X6     |    |
| 31     | SA2354001 | 3    | +ナベセットネジ5X18   | SCREW PAN M5X18                |    |
| 32     | J04442001 | 1    | トウブケンシユツユニット#2 | HEAD DETECTOR UNIT #2          |    |
| 33     | J04392001 | 1    | LEDカバー         | LED COVER                      |    |
| 34     | 062501216 | 2    | ナベコ5X12        | SCREW PAN M5X12                |    |
| 35     | 028050246 | 2    | バネザガネ2-5       | WASHER SPRING 2-5              |    |
| 36     | 026050136 | 2    | ヒラザガネコガタ5      | WASHER PLAIN S 5               |    |
| 37     | SA4211001 | 1    | プーリCDD         | PULLEY,CDD                     |    |
| 38     | SA3025001 | 3    | ナベザクミ4X10DA    | SCREW PAN(S/P WASHER)M4X10     |    |

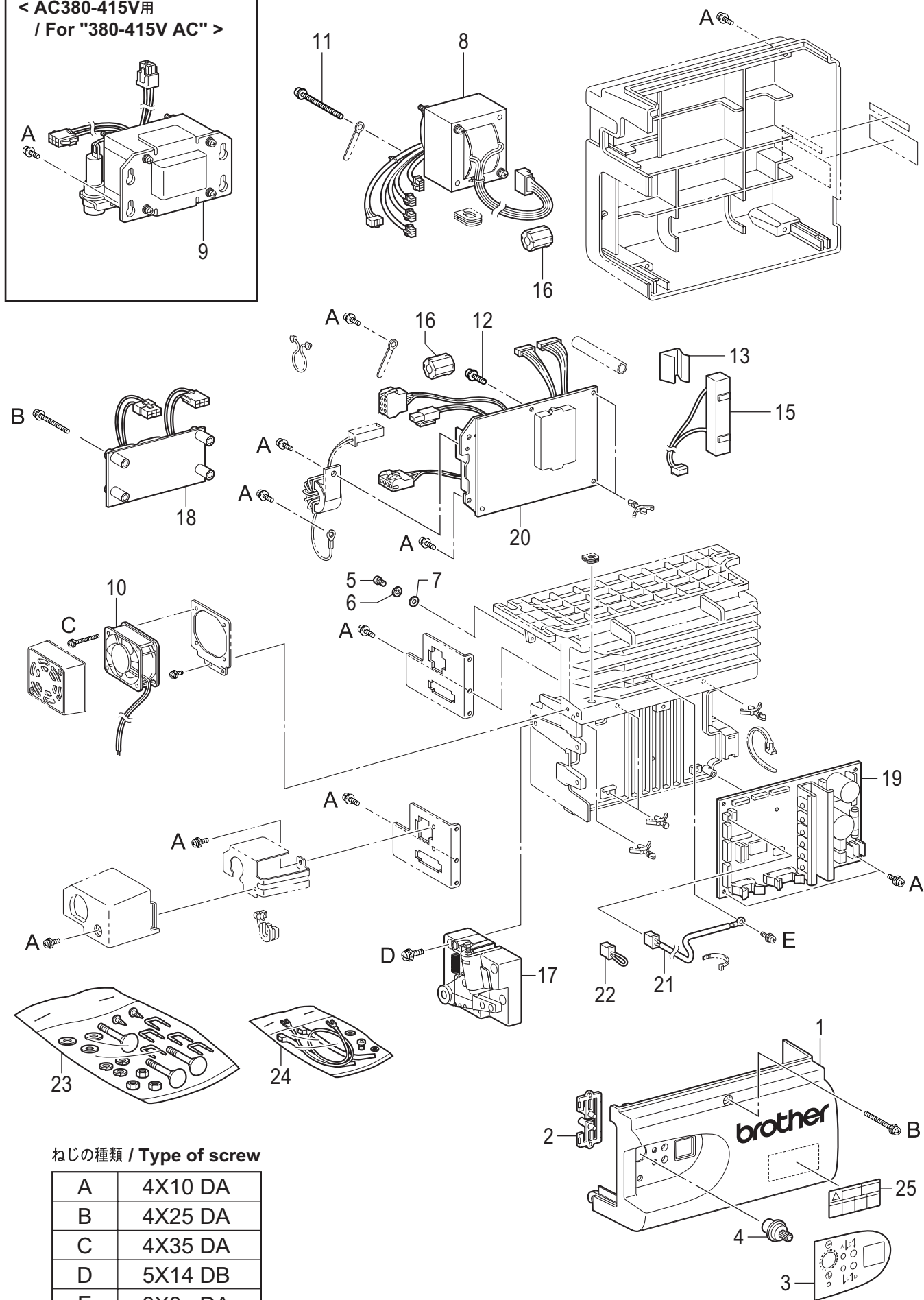
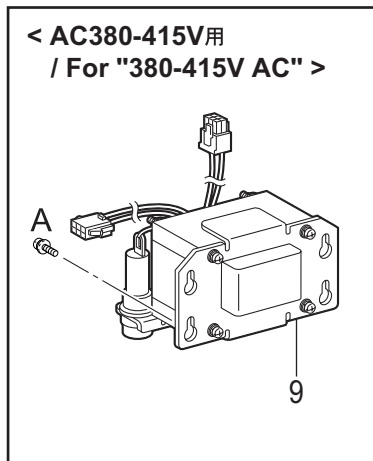




Q2 . コントロールボックス関係 / Control box mechanism

| REF.NO | CODE                 | Q'TY | 品名                     | NAME OF PARTS                                 | RM |
|--------|----------------------|------|------------------------|---|----|
| 1      | BMP2060-0000000-CG40 |      | < 中国向 ><br>G40パネル      | < For China Only ><br>G-40-PANEL-CHINA        |    |
| 1      | BMP2060-0000000-0G40 |      | < 中国・欧州以外向 ><br>G40パネル | < Except for China and Europe ><br>G-40-PANEL |    |
| 1      | BMP2060-0000000-EG40 |      | < 欧州向 ><br>G40パネル      | < For Europe Only ><br>G-40-PANEL-EU          |    |
| 2      | J80973001            | 1    | G40パネル基板               | G40 PANEL PCB ASSY                            |    |
| 3      | J80974001            | 1    | G40サブ基板                | G40 SUB PCB ASSY                              |    |
| 4      | J03975001            | 1    | G40パネルカザリイタ1           | G40 PANEL SHEET 1                             |    |
| 5      | J03976001            | 1    | G40パネルカザリイタ2           | G40 PANEL SHEET 2                             |    |
| 6      | J04195001            | 1    | パネルトリツケイタ#2            | PANEL SETTING PLATE#2                         |    |
| 7      | J04273001            | 3    | ナベザクミ4X10DB            | SCREW, PAN (S/P WASHER) M4X10                 |    |

Q3 .コントロールボックス関係 / Control box mechanism



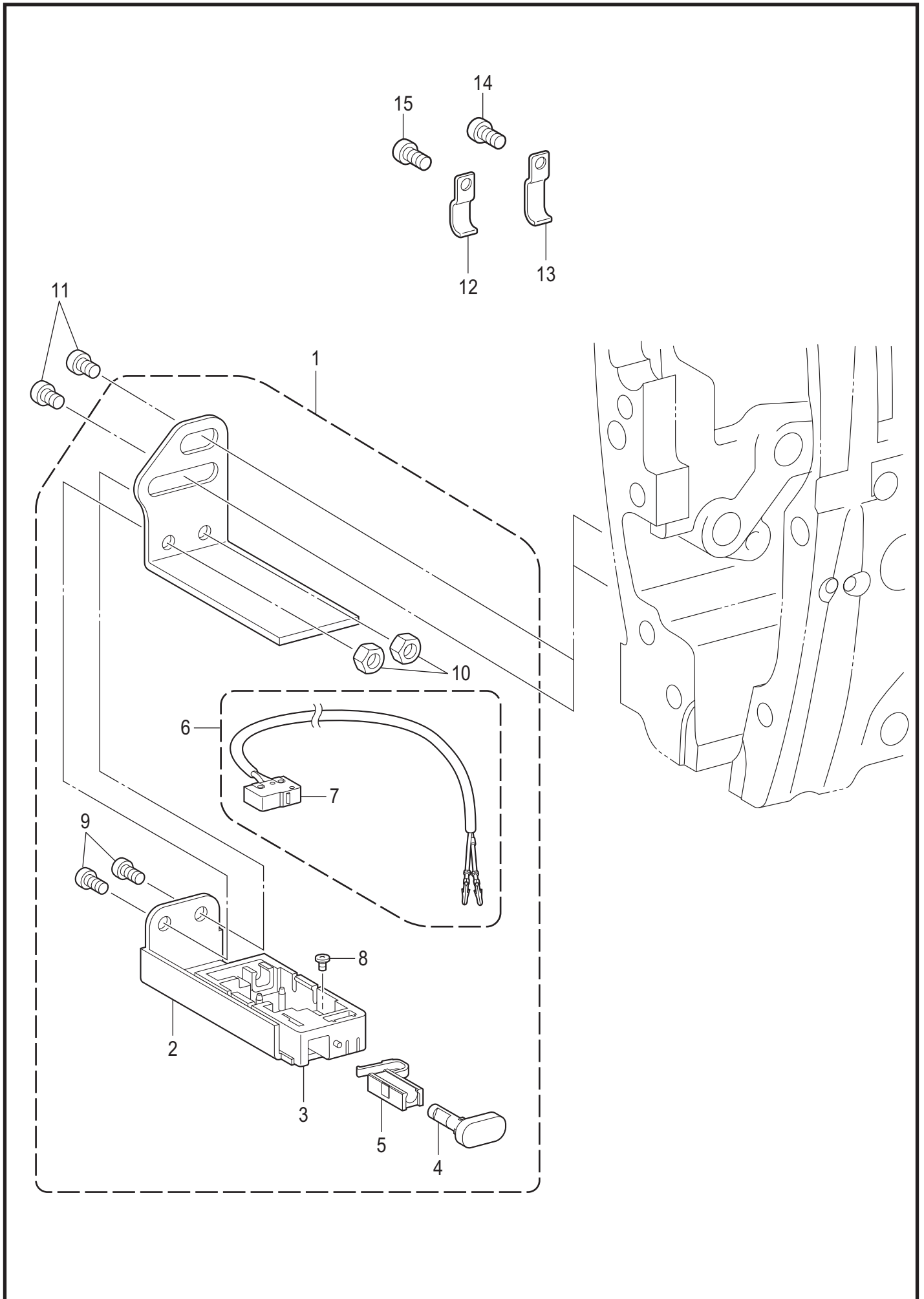
ねじの種類 / Type of screw

|   |         |
|---|---------|
| A | 4X10 DA |
| B | 4X25 DA |
| C | 4X35 DA |
| D | 5X14 DB |
| E | 3X8 DA  |

Q3 . コントロールボックス関係 / Control box mechanism

| REF.NO | CODE      | Q'TY | 品名              | NAME OF PARTS                          | RM |
|--------|-----------|------|-----------------|--|----|
| 1      | J04393001 | 1    | CDDマエフタG0       | FRONT BOX COVER CDD GO                 |    |
| 2      | J04438001 | 1    | キートツプ CDD-GO    | KEY TOP                                |    |
| 3      | J04440001 | 1    | PカザリイタG0        | PANEL SHEET CDD GO                     |    |
| 4      | J03733001 | 1    | VツマミLCA         | SPEED ADJUST KNOB                      |    |
| 5      | 062400863 | 1    | ナベコ4X8          | SCREW, PAN M4X8                        |    |
| 6      | 028040245 | 1    | バネザガネ2-4        | WASHER, SPRING 2-4                     |    |
| 7      | 025040173 | 1    | ヒラザガネシヨウ4       | WASHER, PLAIN S 4                      |    |
|        |           |      | <AC100 - 110V用> | <For " 100 - 110V AC" >                |    |
| 8      | J04097001 | 1    | トランスCDD-100V-SP | TRANSFORMER, CDD-100V-SP               |    |
|        |           |      | <AC200 - 240V用> | <For " 200 - 240V AC" >                |    |
| 8      | J04098001 | 1    | トランスCDD-200V-SP | TRANSFORMER, CDD-200V-SP               |    |
|        |           |      | <AC380 - 415V用> | <For " 380 - 415V AC" >                |    |
| 8      | J04098001 | 1    | トランスCDD-200V-SP | TRANSFORMER, CDD-200V-SP               |    |
| 9      | J04593001 | 1    | トランス400V-SP     | TRANSFORMER, 400V-SP                   |    |
| 10     | J04167001 | 1    | DCファンCDDクミ#2    | DC FAN ASSY, CDD #2                    |    |
| 11     | J01411001 | 2    | +ナベザクミ4X50DA    | SCREW, PAN (S/P WASHER) M4X50          |    |
| 12     | J00494001 | 2    | +ナベセット4X14DA    | SCREW, PAN (S/P WASHER) M4X14          |    |
| 13     | J03739001 | 1    | CRコテイイタ         | SPRING PLATE, CR                       |    |
| 15     | J04100001 | 1    | セメントR40/220クミ#6 | CEMENT RESISTOR ASSY, 40/220#6         |    |
|        |           |      | <欧州向用>          | <For Europe>                           |    |
| 16     | J04468001 | 2    | コアESD-SR-120    | CORE:SD-SR-120                         |    |
|        |           |      | <前一段, 後一段タイプ>   | <Type forward 1 step, backward 1 step> |    |
| 17     | J80967001 | 1    | フミコユニットCDD-コクホ  | TREADLE UNIT ASSY, CDD G               |    |
|        |           |      | <前二段, 後二段タイプ>   | <Type forward 2 step, backward 2 step> |    |
| 17     | J80968001 | 1    | フミコユニットCDD-ユホ   | TREADLE UNIT ASSY, CDD H               |    |
|        |           |      | <欧州向用>          | <For Europe>                           |    |
| 18     | J80970001 | 1    | CEフィルタキバンクミ     | CE FILTER PCB ASSY                     |    |
| 19     | J81008001 | 1    | SキバンCDDクミ#GO-F  | CONTROL PCB ASSY CDD#GO-F              |    |
|        |           |      | <AC100 - 240V用> | <For " 100 - 240V AC" >                |    |
| 22     | J04168001 | 1    | ショートコネクタ        | SHORT CONNECTOR                        |    |
|        |           |      | <AC380 - 415V用> | <For " 380 - 415V AC" >                |    |
| 21     | J04169001 | 1    | CDDサーミスタ#2      | THERMISTOR, CDD #2                     |    |
|        |           |      | <AC100 - 110V用> | <For " 100 - 110V AC" >                |    |
| 20     | J80965001 | 1    | DキバンCDD1-110Vクミ | POWER PCB ASSY, CDD 1-110V             |    |
|        |           |      | <AC220 - 415V用> | <For " 220 - 415V AC" >                |    |
| 20     | J80966101 | 1    | DキバンCDD1-230Vクミ | POWER PCB ASSY CDD 1-230V              |    |
| 23     | J04210001 | 1    | カクネ8X65クミ       | BOLT ASSY, SQUARE M8X65                |    |
| 24     | J04243001 | 1    | アースコードネジタイクミ    | EARTH CORD SCREW TIE ASSY              |    |
| 25     | J04115001 | 1    | ラベルカンデン6カコク     | LABEL, ELEC. SHOCK 6 LANG              |    |

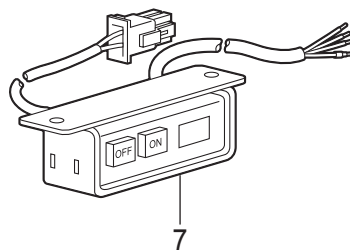
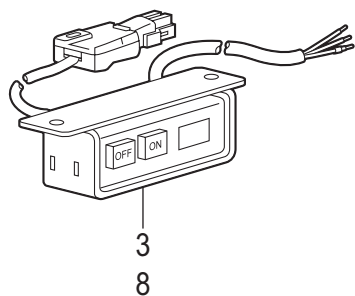
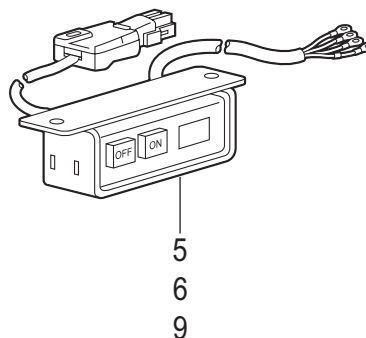
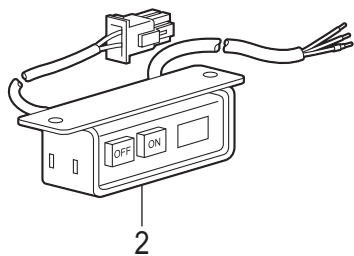
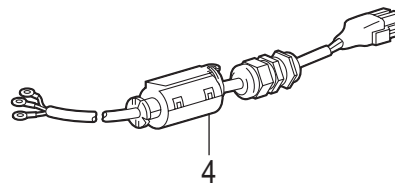
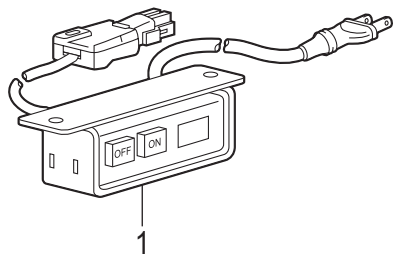
R. 逆転スイッチ関係 / Quick reverse switch mechanism



S-7220B-508

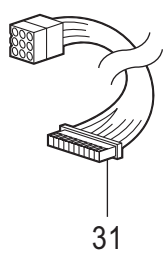
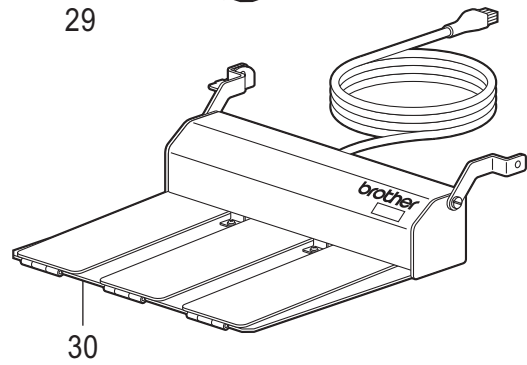
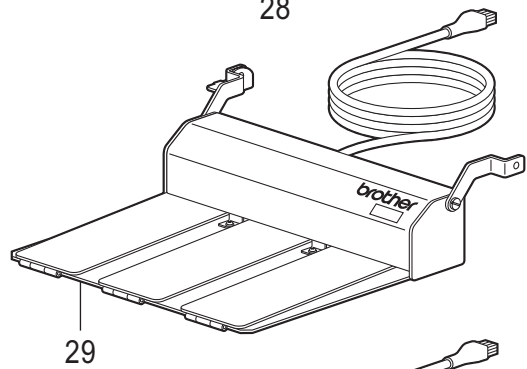
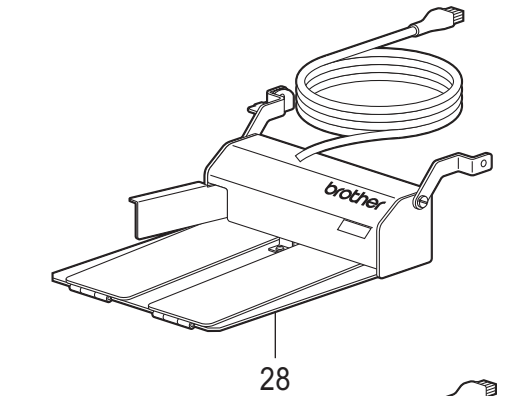
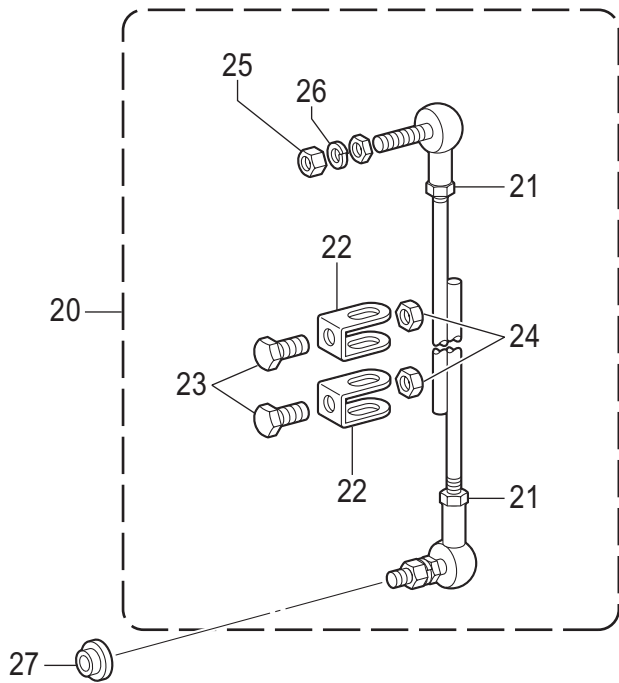
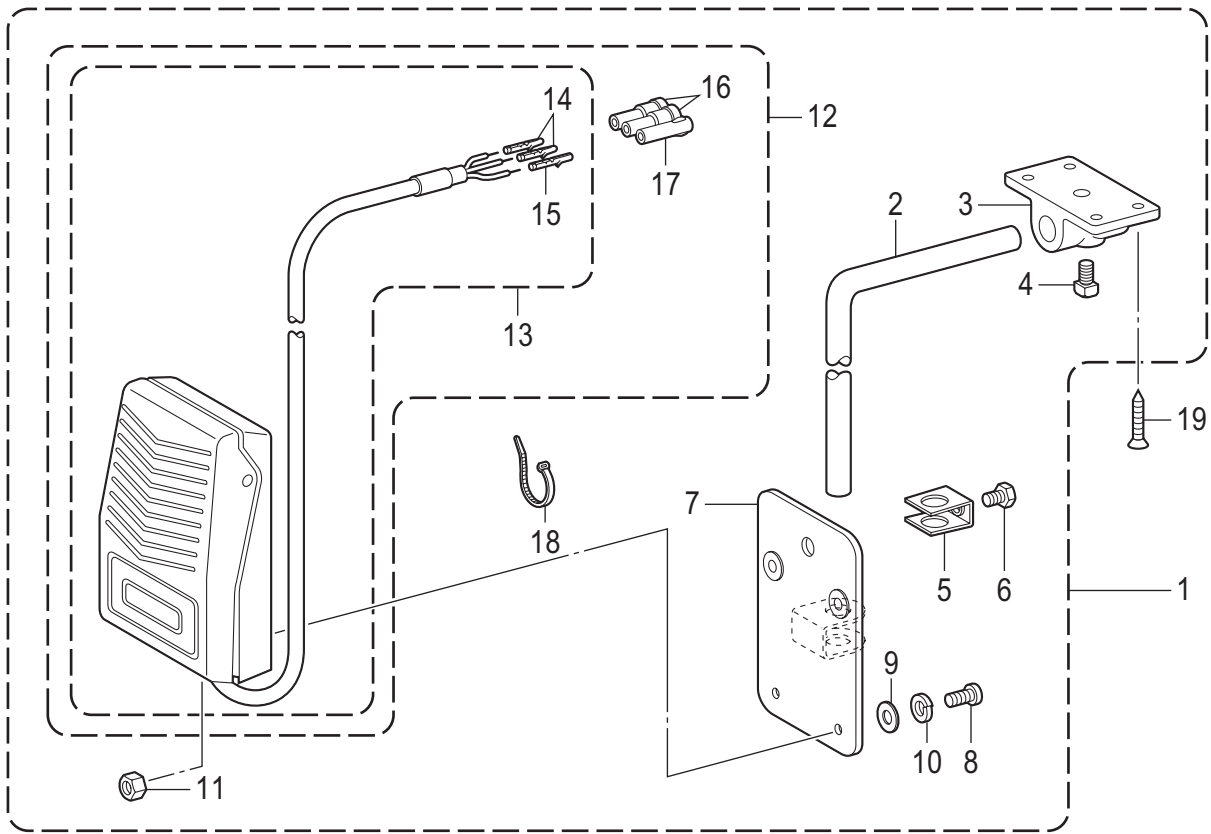
## R. 逆転スイッチ関係 / Quick reverse switch mechanism

| REF.NO | CODE      | Q'TY | 品名         | NAME OF PARTS          | RM |
|--------|-----------|------|------------|------------------------|----|
| 1      | SA7294001 | 1    | Rアクチュエータクミ | R-ACTUATOR ASSY        |    |
| 2      | SA2270001 | 1    | Rスイッチササエ   | REVERSE SWITCH BRACKET |    |
| 3      | SA7295001 | 1    | Rスイッチダイ    | REVERSE SWITCH BRACKET |    |
| 4      | SA4098001 | 1    | アクチュエータ    | ACTUATOR               |    |
| 5      | SA4099001 | 1    | Rスイッチバネ    | REVERSE SWITCH SPRING  |    |
| 6      | SA1390001 | 1    | Rスイッチクミ    | R-SWITCH ASSY          |    |
| 7      | S32907050 | 1    | マイクロスイッチ   | MICRO SWITCH           |    |
| 8      | 060300606 | 1    | バインド3X6    | SCREW BIND M3X6        |    |
| 9      | 062400816 | 2    | ナベコ4X8     | SCREW PAN M4X8         |    |
| 10     | 021400206 | 2    | 2シュナット4    | NUT 2 M4               |    |
| 11     | 062500616 | 2    | ナベコ5X6     | SCREW PAN M5X6         |    |
| 12     | SA1388101 | 1    | コードオサエ     | CORD HOLDER            |    |
| 13     | SA1394101 | 2    | コードオサエU3   | CORD HOLDER U3         |    |
| 14     | 062500816 | 2    | ナベコ5X8     | SCREW PAN M5X8         |    |
| 15     | 060400516 | 1    | バインド4X5    | SCREW BIND M4X5        |    |



## S . 電装品関係 / Power supply equipment mechanism

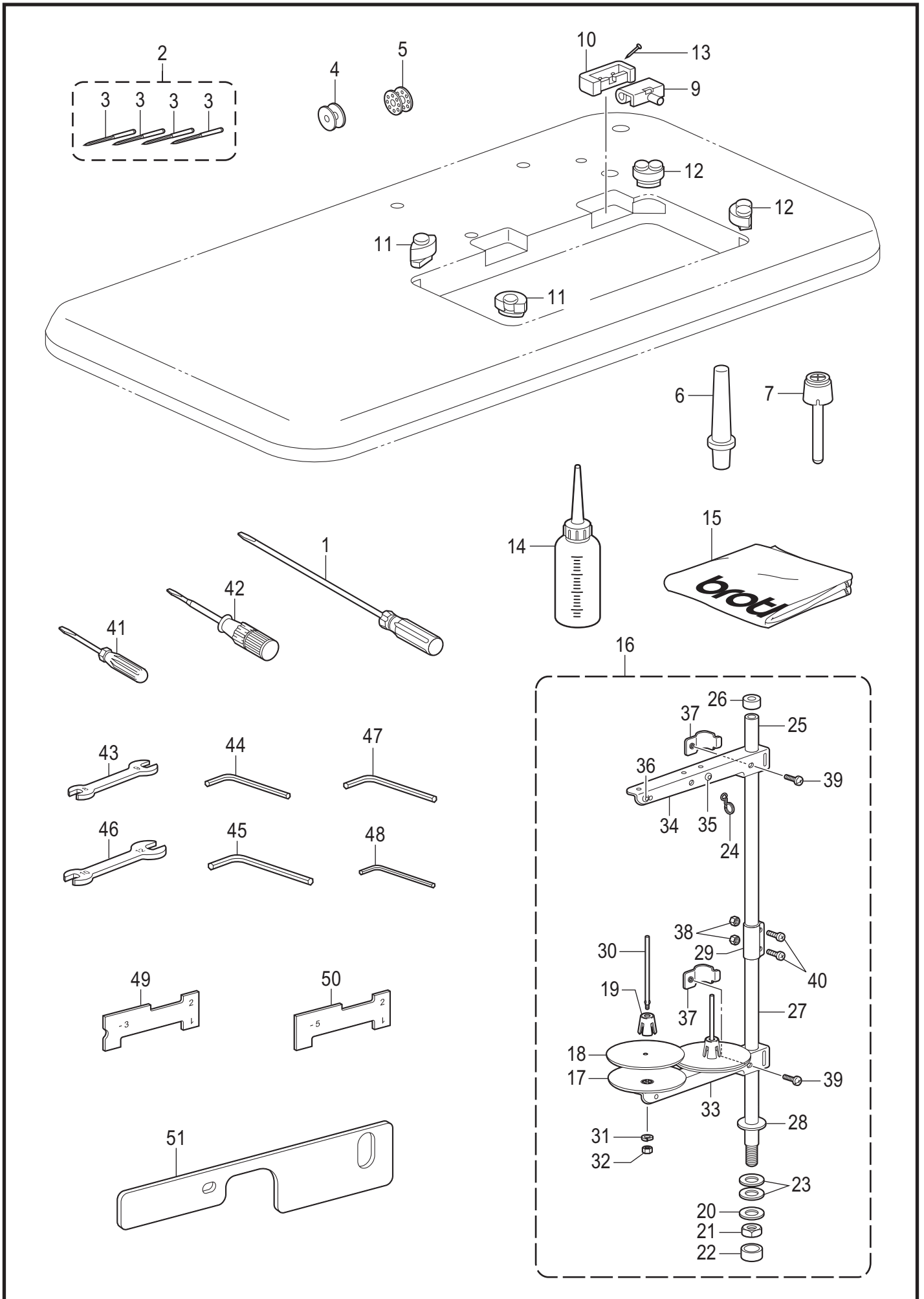
| REF.NO | CODE      | Q'TY | 品名   | NAME OF PARTS   | RM |
|--------|-----------|------|--|---|----|
| 1      | J04086001 | 1    | <单相 100V AC用><br><日本向用><br>デンSWクミ1-100V#6                | <For Single phase"100V AC"><br>< For Japan ><br>POWER SWITCH ASSY, 1-100V #6                          |    |
| 2      | J04469001 | 1    | <单相 110V AC用><br><北米・メキシコ向用><br>デンSWクミ1-110V#8           | <For Single phase"110V AC"><br>< For USA, Canada & Mexico ><br>POWER SWITCH ASSY, 1-110V #8           |    |
| 3      | J04093001 | 1    | <单相 220V AC用><br><一般アジア・北アフリカ向用><br>デンSWクミ1-240V#6       | <For Single phase"220V AC"><br>< For General of Asia & North africa ><br>POWER SWITCH ASSY, 1-240V #6 |    |
| 4      | J04134001 | 1    | <单相 230V AC CE 用><br>電源スイッチ無<br><欧州向用><br>デンPGクミ1-240V#6 | <For Single phase"230V AC CE"><br>Power SW-less<br>< For Europe ><br>POWER PLUG ASSY, 1-240V #6       |    |
| 5      | J04096001 | 1    | <三相 380V AC 用><br><一般アジア・北アフリカ向用><br>デンSWクミ3-400V#6      | <For Three phase"380V AC"><br>< For General of Asia & North africa ><br>POWER SWITCH ASSY, 3-400V #6  |    |
| 6      | J04149001 | 1    | <三相 200V AC 用><br><日本向用><br>デンSWクミ3-200V#6               | <For Three phase"200V AC"><br>< For Japan ><br>POWER SWITCH ASSY, 3-200V #6                           |    |
| 7      | J04470001 | 1    | <三相 220V AC 用><br><北米・メキシコ向用><br>デンSWクミ3-240V#8          | <For Three phase"220V AC"><br>< For USA, Canada & Mexico ><br>POWER SWITCH ASSY, 3-240V #8            |    |
| 8      | J04251001 | 1    | <单相 220V AC用><br><中国向用><br>デンSWクミ1-240V#CCC              | <For Single phase"220V AC"><br>< For China ><br>POWER SWITCH ASSY, 1-240V #CCC                        |    |
| 9      | J04255001 | 1    | <三相 380V AC 用><br><中国向用><br>デンSWクミ3-400V#CCC             | <For Three phase"380V AC"><br>< For China ><br>POWER SWITCH ASSY, 3-400V #CCC                         |    |





## T. オプション部品 / Option parts

| REF.NO | CODE      | Q'TY | 品名              | NAME OF PARTS                 | RM |
|--------|-----------|------|-----------------|-------------------------------|----|
| 1      | S25457101 | 1    | ヒザスイッチクミ        | KNEE SWITCH ASSY              |    |
| 2      | 142026003 | 1    | ヒザスイッチタテジク      | KNEE SWITCH SHAFT             |    |
| 3      | 142027001 | 1    | ヒザスイッチタテジクウケ    | BRACKET                       |    |
| 4      | 100463001 | 1    | 4カクボルト7.94      | BOLT, SQUARE SM7.94           |    |
| 5      | 114967001 | 1    | ヒザアテストツパ        | KNEE LIFTER PLATE STOPPER     |    |
| 6      | 110087001 | 1    | ボルト5.95         | BOLT, SM5.95-28X8             |    |
| 7      | S07027001 | 1    | ヒザスイッチトリツケイタ    | K-LIFTER SWITCH SETTING PLATE |    |
| 8      | 062401006 | 4    | ナベコ4X10         | SCREW PAN M4X10               |    |
| 9      | 025040233 | 4    | ヒラザガネチユウ4       | WASHER, PLAIN M 4             |    |
| 10     | 028040243 | 4    | バネザガネ2-4        | WASHER, SPRING 2-4            |    |
| 11     | 021400164 | 4    | 1シュナツト4         | NUT, 1 M4                     |    |
| 12     | S31938001 | 1    | スイッチコードクミ       | SWITCH CORD ASSY              |    |
| 13     | S31939001 | 1    | フットスイッチクミ       | FOOT SWITCH ASSY              |    |
| 14     | 143549000 | 2    | ピンターミナルオス       | TERMINAL PIN, MALE            |    |
| 15     | 143548000 | 1    | ピンターミナルメス       | TERMINAL PIN, FEMALE          |    |
| 16     | 146046000 | 2    | ナイロンコネクタ        | NYLON CONNECTOR               |    |
| 17     | 146194000 | 1    | ナイロンコネクタ-       | NYLON CONNECTOR               |    |
| 18     | 149799000 | 1    | タイラツプS          | BEAD BAND, S                  |    |
| 19     | 034422503 | 4    | +2サラモク41X25     | WOOD SCREW, FLAT 2 M4.1X25    |    |
| 20     | S40765001 | 1    | レンケツカンクミ        | CONNECTING ROD ASSY           |    |
| 21     | 021060106 | 2    | 1シュナツト6         | NUT 1 M6                      |    |
| 22     | 119101001 | 2    | レンカンダキ          | CONNECTING ROD CLAMP          |    |
| 23     | 017841606 | 2    | ボルト794-18X16    | BOLT SM7.94-18X16             |    |
| 24     | 133643006 | 2    | 6カクナツト7.94-18   | NUT SM7.94-18                 |    |
| 25     | 021060106 | 2    | 1シュナツト6         | NUT 1 M6                      |    |
| 26     | 028060243 | 2    | バネザガネ2-6        | WASHER, SPRING 2-6            |    |
| 27     | 114859001 | 2    | レンカンカラー         | COLLAR                        |    |
|        |           |      | <欧州向>           | <For Europe only>             |    |
| 28     | J800810E0 | 1    | DDタッチペダル40カヘン#6 | PEDAL STAND OPE VARIABLE 40#6 |    |
| 29     | J803800E0 | 1    | DDタッチペダル3Pカヘン40 | PEDAL STAND OPE DD 3P VARI 40 |    |
| 30     | J806300E1 | 1    | DDタッチペダル 2ソク ホ  | STANDING OPERATION 3-PEDAL 2S |    |
| 31     | J04099101 | 1    | フットプラグクミCDD     | FOOT PLUG ASSY CDD            |    |
|        |           |      | <欧州向以外>         | <Except for Europe>           |    |
| 28     | J80081040 | 1    | DDタッチペダル40カヘン#6 | PEDAL STAND OPE VARIABLE 40#6 |    |
| 29     | J80380040 | 1    | DDタッチペダル3Pカヘン40 | PEDAL STAND OPE DD 3P VARI 40 |    |
| 30     | J80630001 | 1    | DDタッチペダル 2ソク ホ  | STANDING OPERATION 3-PEDAL 2S |    |
| 31     | J04099101 | 1    | フットプラグクミCDD     | FOOT PLUG ASSY CDD            |    |



## Z. 付属品関係 / Accessories

| REF.NO | CODE      | Q'TY | 品名                | NAME OF PARTS                     | RM |
|--------|-----------|------|-------------------|-----------------------------------|----|
|        |           |      | <-□□3用>           | <For "-□□3">                      |    |
| 2      | SA1656014 | 1    | ハリ4コイリクミ DBX1     | NEEDLE 4PIECE ASSY DBX1           |    |
| 2      | SA1752014 | 1    | ハリ4コイリクミ DPX5     | NEEDLE 4PIECE ASSY DPX5           |    |
| 3      | 100265034 | 4    | ミシンハリDBX1         | NEEDLE DBX1                       |    |
| 3      | 107415014 | 4    | ミシンハリDPX5         | NEEDLE, DPX5                      |    |
| 4      | 146290001 | 3    | ボビン               | BOBBIN                            |    |
| 49     | SA7453101 | 1    | デアイゲージ            | TIMING GAUGE                      |    |
|        |           |      | <-□□5用>           | <For "-□□5">                      |    |
| 2      | SA1752022 | 1    | ハリ4コイリクミ DPX5     | NEEDLE 4PIECE ASSY DPX5           |    |
| 2      | SA1656022 | 1    | ハリ4コイリクミ DBX1     | NEEDLE 4PIECE ASSY DBX1           |    |
| 3      | 107415022 | 4    | ミシンハリDPX5         | NEEDLE, DPX5                      |    |
| 3      | 100265042 | 4    | ミシンハリDBX1         | NEEDLE DBX1                       |    |
| 5      | 117132001 | 3    | ボビン               | BOBBIN                            |    |
| 50     | SA7454101 | 1    | デアイゲージ            | TIMING GAUGE                      |    |
| 1      | S17774001 | 1    | ネジマワシ4.7X250      | SCREW-DRIVER, 4.7X250             |    |
| 6      | S06055009 | 1    | マクラS              | HEAD REST, S                      |    |
| 7      | S09634000 | 1    | ヒザアゲオシボウ          | KNEE LIFTER COMPLYING BAR         |    |
| 9      | 143882001 | 2    | トウブヒンジ            | HEAD HINGE                        |    |
| 10     | 143910009 | 2    | トウブヒンジウケゴム        | RUBBER CUSHION                    |    |
| 11     | SA1962001 | 2    | トウブシキゴム.....<左側用> | HEAD CUSHION.....<For left side>  |    |
| 12     | SA1963001 | 2    | トウブシキゴム.....<右側用> | HEAD CUSHION.....<For right side> |    |
| 13     | 109714000 | 4    | クギ                | NAIL                              |    |
| 14     | SA7297101 | 1    | オイルタンククミ          | OIL TANK ASSY                     |    |
| 15     | 144226001 | 1    | トウブカバー            | HEAD COVER                        |    |
| 16     | S02763602 | 1    | イトタテダイクミ2DR       | COTTON STAND ASSY 2DR             |    |
| 17     | S51283001 | 2    | ウケザラ              | SPOOL STAND BASE                  |    |
| 18     | 150182000 | 2    | スプ-ルマット           | SPOOL MAT                         |    |
| 19     | S51282101 | 2    | スプ-ルクッション         | SPOOL CUSHION                     |    |
| 20     | 150206002 | 1    | ヒラザガネ16           | WASHER PLAIN 16                   |    |
| 21     | SA6629001 | 1    | 6カクナツトM16         | NUT M16                           |    |
| 22     | 150174000 | 1    | コラムキヤツプ           | COLUMN CAP                        |    |
| 23     | S01005000 | 2    | イトタテゴム            | RUBBER WASHER                     |    |
| 24     | S02747101 | 1    | イトカケバネ            | SPRING                            |    |
| 25     | 150172003 | 1    | コラムパイプ            | COLUMN PIPE                       |    |
| 26     | 150174000 | 1    | コラムキヤツプ           | COLUMN CAP                        |    |
| 27     | 150207001 | 1    | コラムパイプネジツキ        | COLUMN PIPE W/SCREW               |    |
| 28     | 150206000 | 1    | ヒラザガネ16           | WASHER PLAIN 16                   |    |
| 29     | SA6606001 | 1    | コラムジョイント          | COLUMN JOINT                      |    |
| 30     | 150179002 | 2    | スプ-ルジクB           | SPOOL SHAFT B                     |    |
| 31     | 028050244 | 2    | バネザガネ2-5          | WASHER SPRING 2-5                 |    |
| 32     | 021500104 | 2    | 1シュナツト5           | NUT 1 M5                          |    |
| 33     | SA6607001 | 1    | スプ-ルホルダ-2         | SPOOL HOLDER 2                    |    |
| 34     | SA6607001 | 1    | スプ-ルホルダ-2         | SPOOL HOLDER 2                    |    |
| 35     | 150183000 | 2    | イトカケハンガ-ダイ        | THREAD HANGER BASE                |    |
| 36     | 142990001 | 2    | スレツドブツシュ          | THREAD BUSH                       |    |
| 37     | SA6609001 | 2    | スプ-ルホルダ-ササエ       | SPOOL HOLDER SUPPORTER            |    |
| 38     | 021500104 | 2    | 1シュナツト5           | NUT 1 M5                          |    |
| 39     | 062061604 | 2    | ナベコ6X16           | SCREW PAN M6X16                   |    |
| 40     | 062501404 | 2    | ナベコ5X14           | SCREW PAN M5X14                   |    |
| 41     | 142443001 | 1    | ネジマワシ1.9X52       | SCREW-DRIVER, 1.9X52              |    |
| 42     | 118837001 | 1    | ネジマワシ3.4X70       | SCREW-DRIVER, 3.4X70              |    |
| 43     | 100887001 | 1    | スパナ8X9            | WRENCH, 8X9                       |    |
| 44     | 142002001 | 1    | 6カクボウスパナ2         | HEXAGONAL WRENCH, 2               |    |
| 45     | 142721001 | 1    | 6カクボウスパナ3         | HEXAGONAL WRENCH, 3               |    |
| 46     | 107780001 | 1    | スパナ10X12          | WRENCH, 10X12                     |    |
| 47     | 154125001 | 1    | 6カクボウスパナ2.5       | HEXAGONAL WRENCH, 2.5             |    |
| 48     | S07783001 | 1    | 6カクボウスパナ1.5       | HEXAGONAL WRENCH, 1.5             |    |
| 51     | SA7843001 | 1    | クッションゴム           | RUBBER CUSHION                    |    |

## Sp. 仕様別部品一覧表 / Different parts list

| 仕向 / Destination | REF.NO    | 品名 / Name of parts                 | 仕様 / Specification             |                              |
|------------------|-----------|------------------------------------|--------------------------------|------------------------------|
|                  |           |                                    | -403, 433                      | -405                         |
|                  |           |                                    | 中厚物用 / Medium-weight materials | 厚物用 / Heavy-weight materials |
| 日本向 / For Japan  | B-35      | 針棒 / Needle bar                    | SA7449001                      | SA7450001                    |
|                  | B-36      | ミシン針 / Needle                      | 100265034                      | 100265042                    |
|                  | B-46      | 針板 (DBX1) /<br>Needle plate (DBX1) | 143855001                      | 148842001                    |
|                  | D-8       | 押えバネ / Presser bar<br>spring       | S13561101                      | 141728001                    |
|                  | D-10      | 押え組 / Presser foot assy            | SA4484001                      | SA4489001                    |
|                  | E-88, -90 | 送り歯 / Feed dog                     | 159521001                      | 159525001                    |
|                  | H-19      | 内かま止め / Hook stopper               | SA7830001                      | SA7829001                    |
|                  | H-28      | かま箱組 / Rotary hook<br>assy, w/box  | SA7686002                      | SA7688001                    |
|                  | H-20      | ボビン / Bobbin                       | 146290001                      | ---                          |
|                  | H-21      | ボビン / Bobbin                       | ---                            | 117132001                    |

| 仕向 / Destination | REF.NO    | 品名 / Name of parts                 | 仕様 / Specification             |                              |
|------------------|-----------|------------------------------------|--------------------------------|------------------------------|
|                  |           |                                    | -403, 433                      | -405                         |
|                  |           |                                    | 中厚物用 / Medium-weight materials | 厚物用 / Heavy-weight materials |
| USA向 / For USA   | B-35      | 針棒 / Needle bar                    | SA7449001                      | SA7450001                    |
|                  | B-36      | ミシン針 / Needle                      | 100265034                      | 100265042                    |
|                  | B-46      | 針板 (DBX1) /<br>Needle plate (DBX1) | 143855001                      | S13101001                    |
|                  | D-8       | 押えバネ / Presser bar<br>spring       | S13561101                      | 141728001                    |
|                  | D-10      | 押え組 / Presser foot assy            | SA4484001                      | SA4489001                    |
|                  | E-90, -89 | 送り歯 / Feed dog                     | 159521001                      | S13102101                    |
|                  | H-19      | 内かま止め / Hook stopper               | SA7830001                      | SA7829001                    |
|                  | H-28      | かま箱組 / Rotary hook<br>assy, w/box  | SA7686002                      | SA7688001                    |
|                  | H-20      | ボビン / Bobbin                       | 146290001                      | ---                          |
|                  | H-21      | ボビン / Bobbin                       | ---                            | 117132001                    |

| 仕向 / Destination | REF.NO    | 品名 / Name of parts                 | 仕様 / Specification             |                              |
|------------------|-----------|------------------------------------|--------------------------------|------------------------------|
|                  |           |                                    | -403, 433                      | -405                         |
|                  |           |                                    | 中厚物用 / Medium-weight materials | 厚物用 / Heavy-weight materials |
| 中国向 / For China  | B-35      | 針棒 / Needle bar                    | SA7449001                      | SA7450001                    |
|                  | B-36      | ミシン針 / Needle                      | 100265034                      | 100265042                    |
|                  | B-46      | 針板 (DBX1) /<br>Needle plate (DBX1) | 143855001                      | S13101001                    |
|                  | D-8       | 押えバネ / Presser bar<br>spring       | S13561101                      | 141728001                    |
|                  | D-10      | 押え組 / Presser foot assy            | SA4484001                      | SA4489001                    |
|                  | E-90, -89 | 送り歯 / Feed dog                     | 159521001                      | S13102101                    |
|                  | H-19      | 内かま止め / Hook stopper               | SA7830001                      | SA7829001                    |
|                  | H-28      | かま箱組 / Rotary hook<br>assy, w/box  | SA7686002                      | SA7688001                    |
|                  | H-20      | ボビン / Bobbin                       | 146290001                      | ---                          |
|                  | H-21      | ボビン / Bobbin                       | ---                            | 117132001                    |

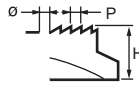
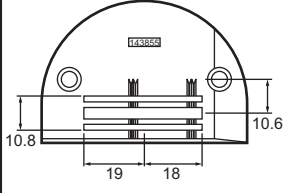
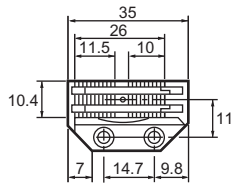
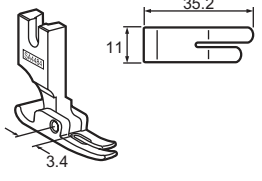
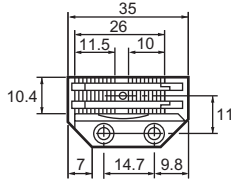
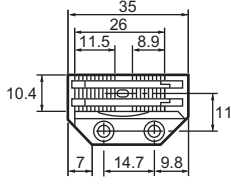
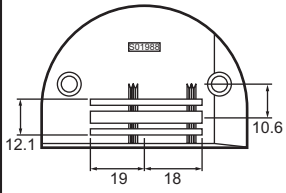
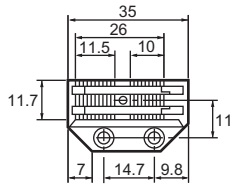
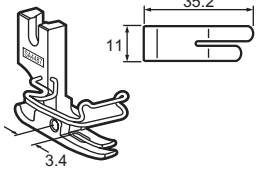
S7220B-Sp

## Sp. 仕様別部品一覧表 / Different parts list

| 仕向 / Destination           | REF.NO    | 品名 / Name of parts              | 仕様 / Specification             |                              |
|----------------------------|-----------|---------------------------------|--------------------------------|------------------------------|
|                            |           |                                 | -403, 433                      | -405                         |
|                            |           |                                 | 中厚物用 / Medium-weight materials | 厚物用 / Heavy-weight materials |
| 輸出一般向 / For General export | B-35      | 針棒 / Needle bar                 | SA7449001                      | SA7450001                    |
|                            | B-36      | ミシン針 / Needle                   | 100265034                      | 100265042                    |
|                            | B-46      | 針板 (DBX1) / Needle plate (DBX1) | 143855001                      | S13101001                    |
|                            | D-8       | 押えバネ / Presser bar spring       | S13561101                      | 141728001                    |
|                            | D-10      | 押え組 / Presser foot assy         | SA4484001                      | SA4489001                    |
|                            | E-90, -89 | 送り歯 / Feed dog                  | 159521001                      | S13102101                    |
|                            | H-19      | 内かま止め / Hook stopper            | SA7830001                      | SA7829001                    |
|                            | H-28      | かま箱組 / Rotary hook assy, w/box  | SA7686002                      | SA7688001                    |
|                            | H-20      | ボビン / Bobbin                    | 146290001                      | ---                          |
|                            | H-21      | ボビン / Bobbin                    | ---                            | 117132001                    |

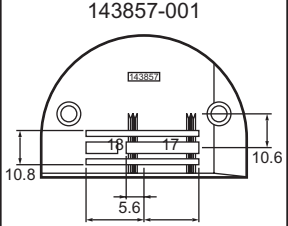
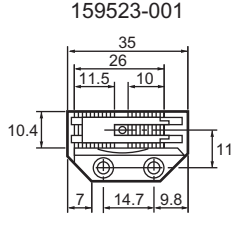
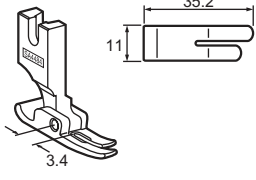
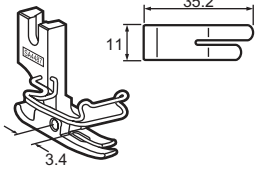
| 仕向 / Destination              | REF.NO    | 品名 / Name of parts              | 仕様 / Specification             |                              |
|-------------------------------|-----------|---------------------------------|--------------------------------|------------------------------|
|                               |           |                                 | -403, 433                      | -405                         |
|                               |           |                                 | 中厚物用 / Medium-weight materials | 厚物用 / Heavy-weight materials |
| 欧州・カナダ向 / For Europe & Canada | B-35      | 針棒 / Needle bar                 | SA7450001                      | SA7450001                    |
|                               | B-36      | ミシン針 / Needle                   | 107415014                      | 107415022                    |
|                               | B-46      | 針板 (DPX5) / Needle plate (DPX5) | 143855001                      | S13101001                    |
|                               | D-8       | 押えバネ / Presser bar spring       | S13561101                      | 141728001                    |
|                               | D-10      | 押え組 / Presser foot assy         | SA4487101                      | SA4490101                    |
|                               | E-90, -89 | 送り歯 / Feed dog                  | 159521001                      | S13102101                    |
|                               | H-19      | 内かま止め / Hook stopper            | SA7830001                      | SA7829001                    |
|                               | H-28      | かま箱組 / Rotary hook assy, w/box  | SA7686002                      | SA7688001                    |
|                               | H-20      | ボビン / Bobbin                    | 146290001                      | ---                          |
|                               | H-21      | ボビン / Bobbin                    | ---                            | 117132001                    |

S7220B-Sp

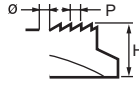
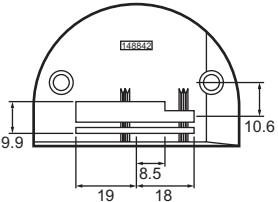
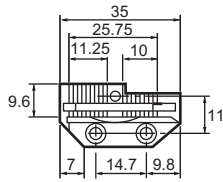
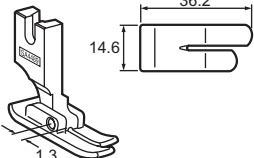
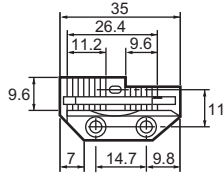

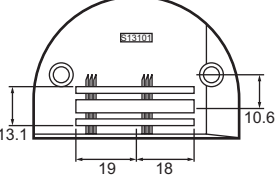
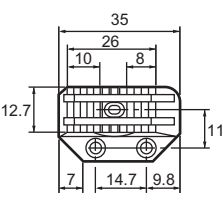
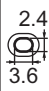
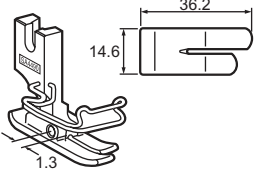
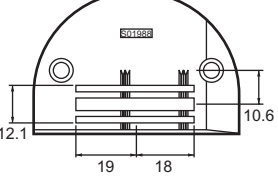
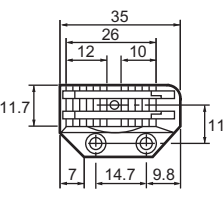
| 仕様<br>Specification             | 針板<br>Needle plate |   | 送り歯<br>Feed dog |                 |      |      | 押え組<br>Presser foot assy  |      |
|---------------------------------|--------------------|---|-----------------|---|------|------|---|------|
|                                 | 記号<br>Mark         |   |                 | T   | P    | φ    |   | H    |
| 中厚物用<br>Medium-weight materials | 143855             |                  | 3.2             | S03357-001<br>   | 1.15 | 7    |    |      |
|                                 |                    |   |                 | 159521-001<br>   |      |      |   | φ1.4 |
|                                 |                    |   |                 | 159522-001<br> |      |      |   | φ2   |
|                                 | S01988             | S01988-001<br> | 3.2             | 159914-001<br> |      | φ2.1 |  |      |

S-7220B-Ga

Ga . ゲージ部品一覧表 / Gauge parts list

| 仕様<br>Specification                     | 針板<br>Needle plate  |            | 送り歯<br>Feed dog  | 押え組<br>Presser foot assy |           |          |   |
|---|---|------------|--|--------------------------|-----------|----------|---|
|   | 記号<br>Mark  | T          |  | P                        | φ         | H        |   |
| <p>中厚物用<br/>Medium-weight materials</p> | <p>143857</p>  | <p>3.2</p> | <p>159523-001</p>  | <p>1.15</p>              | <p>φ2</p> | <p>7</p> | <p>SA4484-001</p>  <p>SA4487-101</p>  |

S-7220B-Ga

| 仕様<br>Specification              | 針板<br>Needle plate |   | 送り歯<br>Feed dog |   |      |   | 押え組<br>Presser foot assy   |
|----------------------------------|--------------------|---|-----------------|---|------|---|--|
|                                  | 記号<br>Mark         |   |                 | T   | P    | φ   |  |
| 厚物用<br>Heavy-weight<br>materials | 148842             |    | 3.2             |    | 1.25 | φ2.8  |   |
|                                  |                    |   |                 |    | 1.6  |  |  |
|                                  |                    |   |                 |   |      |   |  |
|                                  | S13101             |   | 3.2             |   | 2.0  |  |  |
|                                  | S01988             |  | 3.2             |  | 2.0  | φ2.4  |  |

S-7220B-Ga







Ga . ゲージ部品一覧表 / Gauge parts list

| 仕様<br>Specification           | 針板<br>Needle plate |                   | 送り歯<br>Feed dog | 押え組<br>Presser foot assy |     |                   |                   |
|-------------------------------|--------------------|-------------------|-----------------|--------------------------|-----|-------------------|-------------------|
|                               | 記号<br>Mark         | T                 |                 | P                        | φ   | H                 |                   |
| 厚物用<br>Heavy-weight materials | S13101             | <p>S13101-001</p> | 3.2             | <p>S45903-001</p>        | 2.0 | <p>SA4489-001</p> | <p>SA4490-101</p> |

S-7220B-Ga

Wa. 警告ラベル / Warning labels

| 警告ラベル / Warning labels  | 品名 / Name of parts                            | Size(mm)        | Code              |
|---|---|-----------------|-------------------|
|    | <p>ラベル感電6ヶ国<br/>Label, elec. shock 6 lang</p> | <p>50 X 118</p> | <p>J04115-001</p> |
|    | <p>ラベル注意・和英<br/>Label, caution Jpa / Eng</p>  | <p>64 X 40</p>  | <p>SA2040-001</p> |
|   | <p>ラベル注意・中英<br/>Label, caution Chn / Eng</p>  | <p>64 X 40</p>  | <p>SA2041-001</p> |
|  | <p>アースマーク<br/>Label, grounding</p>            | <p>φ 12</p>     | <p>S37060-001</p> |

S-7220B-Wa

| CODE      | REF.NO | Page | CODE      | REF.NO | Page | CODE      | REF.NO | Page | CODE      | REF.NO | Page |
|-----------|--------|------|-----------|--------|------|-----------|--------|------|-----------|--------|------|
| 004301016 | M -27  | 34   | 021500316 | E -104 | 18   | 062300616 | P -10  | 40   | 100265034 | Z -3   | 54   |
| 012060536 | C -17  | 8    | 025040173 | Q3 -7  | 46   | 062350616 | C -52  | 10   |           | Sp     | 55   |
|           | C -59  | 10   | 025040232 | C -47  | 8    |           | E -59  | 16   |           | Sp     | 56   |
|           | C -60  | 10   |           | C -47  | 10   | 062400616 | A -18  | 2    | 100265042 | Z -3   | 54   |
|           | E -13  | 14   |           | D -25  | 12   |           | C -40  | 8    |           | Sp     | 55   |
|           | E -37  | 14   |           | M -58  | 34   |           | J -46  | 26   |           | Sp     | 56   |
|           | E -65  | 16   | 025040233 | T -9   | 52   |           | M -10  | 34   | 100328001 | E -6   | 14   |
|           | E -76  | 16   | 025040332 | J -47  | 26   |           | M -21  | 34   | 100401022 | L -31  | 32   |
|           | G -16  | 22   | 025050236 | A -8   | 2    |           | P -12  | 40   | 100402004 | K -29  | 30   |
|           | H -12  | 24   | 025060136 | L -6   | 32   | 062400816 | M -60  | 36   | 100463001 | T -4   | 52   |
|           | M -31  | 34   |           | L -15  | 32   |           | R -9   | 48   | 100463021 | F -3   | 20   |
|           | M -46  | 34   |           | Q1 -10 | 42   | 062400863 | Q3 -5  | 46   | 100645003 | M -16  | 34   |
| 012061036 | B -31  | 4    | 025100132 | E -16  | 14   | 062401006 | T -8   | 52   | 100887001 | Z -43  | 54   |
| 012400436 | B -13  | 4    | 025350132 | D -11  | 12   | 062401216 | C -76  | 10   | 102843004 | M -5   | 34   |
|           | B -19  | 4    | 026040236 | M -9   | 34   |           | H -21  | 24   | 104449001 | A -13  | 2    |
|           | B -25  | 4    |           | P -13  | 40   |           | L -17  | 32   |           | E -62  | 16   |
|           | C -35  | 8    | 026050136 | D -4   | 12   | 062500616 | D -3   | 12   |           | K -19  | 30   |
|           | C -36  | 8    |           | Q1 -36 | 42   |           | J -31  | 26   | 104450101 | A -10  | 2    |
|           | C -35  | 10   | 028040243 | T -10  | 52   |           | J -43  | 26   |           | J -23  | 26   |
|           | C -36  | 10   | 028040245 | Q3 -6  | 46   |           | J -51  | 26   | 104619022 | F -5   | 20   |
|           | C -57  | 10   | 028050244 | Z -31  | 54   |           | K -16  | 30   | 104821001 | J -11  | 26   |
| 012500536 | B -30  | 4    | 028050246 | A -7   | 2    |           | L -28  | 32   | 105234003 | M -35  | 34   |
|           | C -7   | 8    |           | Q1 -35 | 42   |           | R -11  | 48   | 107415014 | Z -3   | 54   |
|           | C -16  | 8    | 028060243 | T -26  | 52   | 062500816 | C -68  | 10   |           | Sp     | 56   |
|           | C -65  | 10   | 034422503 | T -19  | 52   |           | E -19  | 14   | 107415022 | Z -3   | 54   |
|           | D -20  | 12   | 048030342 | P -23  | 40   |           | E -111 | 18   |           | Sp     | 56   |
|           | E -11  | 14   | 048040142 | C -49  | 8    |           | G -4   | 22   | 107780001 | Z -46  | 54   |
|           | E -27  | 14   |           | C -49  | 10   |           | G -6   | 22   | 108549001 | E -3   | 14   |
|           | E -34  | 14   |           | M -59  | 36   |           | M -64  | 36   | 109714000 | Z -13  | 54   |
|           | E -43  | 14   | 048040342 | E -56  | 16   |           | M -67  | 36   | 110087001 | T -6   | 52   |
|           | E -47  | 14   |           | L -2   | 32   |           | N -3   | 38   | 110087021 | F -8   | 20   |
|           | E -50  | 14   |           | L -14  | 32   |           | P -32  | 40   | 110161004 | N -8   | 38   |
|           | G -11  | 22   |           | P -17  | 40   |           | R -14  | 48   | 110367001 | B -9   | 4    |
|           | G -17  | 22   | 048050342 | D -28  | 12   | 062501016 | J -56  | 28   |           | C -4   | 8    |
|           | K -8   | 30   | 048060142 | G -14  | 22   | 062501216 | A -4   | 2    |           | C -11  | 8    |
|           | L -8   | 32   | 048060342 | B -15  | 4    |           | A -9   | 2    |           | C -22  | 8    |
|           | L -13  | 32   |           | B -21  | 4    |           | J -49  | 26   |           | C -42  | 8    |
|           | L -34  | 32   |           | B -27  | 4    |           | M -61  | 36   |           | C -42  | 10   |
| 014300432 | C -27  | 8    |           | M -44  | 34   |           | Q1 -34 | 42   |           | M -43  | 34   |
|           | E -81  | 16   | 048080342 | E -17  | 14   | 062501404 | Z -40  | 54   | 110735002 | P -22  | 40   |
|           | E -99  | 16   | 048100142 | E -112 | 18   | 062501416 | E -21  | 14   | 111863001 | J -6   | 26   |
| 014400632 | M -6   | 34   | 048120142 | B -53  | 4    |           | E -60  | 16   | 113024000 | C -26  | 8    |
|           | Q1 -13 | 42   | 048150142 | E -78  | 16   |           | M -25  | 34   |           | C -56  | 10   |
| 014500536 | C -34  | 8    | 060300606 | R -8   | 48   | 062501816 | A -6   | 2    | 114294001 | K -34  | 30   |
|           | C -34  | 10   | 060350616 | K -21  | 30   |           | K -22  | 30   | 114561001 | B -49  | 4    |
| 014500632 | Q1 -30 | 42   | 060400416 | C -21  | 8    | 081004070 | J -1   | 26   | 114859001 | T -27  | 52   |
| 014771032 | M -3   | 34   |           | C -73  | 10   |           | J -4   | 26   | 114967001 | T -5   | 52   |
| 017841606 | T -23  | 52   | 060400516 | J -29  | 26   | 081004870 | J -13  | 26   | 114967021 | F -7   | 20   |
| 018400532 | D -24  | 12   |           | N -5   | 38   | 081008070 | J -22  | 26   | 116922001 | K -28  | 30   |
| 018501436 | C -9   | 8    |           | P -15  | 40   |           | J -45  | 26   | 117132001 | H -20  | 24   |
|           | E -32  | 14   |           | P -26  | 40   | 081009070 | L -5   | 32   |           | Z -5   | 54   |
| 018501636 | C -74  | 10   |           | R -15  | 48   | 081015870 | J -41  | 26   |           | Sp     | 55   |
|           | E -28  | 14   | 060400816 | N -7   | 38   | 081022870 | J -35  | 26   |           | Sp     | 56   |
| 021060106 | T -21  | 52   | 060500616 | K -14  | 30   | 081025870 | H -6   | 24   | 117936001 | A -14  | 2    |
|           | T -25  | 52   | 062060816 | Q1 -9  | 42   | 081029870 | J -52  | 26   | 118837001 | Z -42  | 54   |
| 021060306 | D -41  | 12   | 062061016 | G -7   | 22   | 0A4261006 | Q1 -18 | 42   | 119101001 | T -22  | 52   |
|           | J -67  | 28   | 062061604 | Z -39  | 54   | 0A4300806 | Q1 -16 | 42   | 122771051 | B -50  | 4    |
|           | M -56  | 34   | 062061616 | C -29  | 8    |           | Q1 -28 | 42   | 133643006 | T -24  | 52   |
| 021400164 | T -11  | 52   |           | C -41  | 8    | 0A4401006 | Q1 -26 | 42   | 140004001 | B -33  | 4    |
| 021400206 | R -10  | 48   |           | C -41  | 10   | 0A4401606 | Q1 -25 | 42   | 140407001 | D -9   | 12   |
| 021400306 | M -17  | 34   | 062300616 | E -93  | 16   | 0A4501206 | J -24  | 26   | 140553102 | B -37  | 4    |
| 021500104 | Z -32  | 54   |           | P -7   | 40   | 0A5300606 | Q1 -22 | 42   | 140647101 | P -8   | 40   |
|           | Z -38  | 54   |           | P -9   | 40   | 100080004 | E -97  | 16   | 141728001 | D -8   | 12   |

## 索引 / Index

| CODE      | REF.NO | Page | CODE                 | REF.NO  | Page | CODE      | REF.NO  | Page | CODE      | REF.NO  | Page |
|-----------|--------|------|----------------------|---------|------|-----------|---------|------|-----------|---------|------|
| 141728001 | Sp     | 55   | 156243021            | E - 77  | 16   | J04195001 | Q2 - 6  | 44   | S13102101 | Sp      | 55   |
|           | Sp     | 56   | 156958021            | E - 26  | 14   | J04210001 | Q3 - 23 | 46   |           | Sp      | 56   |
| 142002001 | Z - 44 | 54   |                      | E - 54  | 16   | J04243001 | Q3 - 24 | 46   |           | Ga3     | 59   |
| 142026003 | T - 2  | 52   | 158722001            | E - 85  | 16   | J04251001 | S - 8   | 50   | S13385001 | D - 14  | 12   |
| 142027001 | T - 3  | 52   | 159150000            | A - 15  | 2    | J04255001 | S - 9   | 50   | S13399001 | D - 39  | 12   |
| 142274101 | M - 7  | 34   | 159521001            | E - 88  | 16   | J04273001 | Q2 - 7  | 44   | S13561101 | D - 8   | 12   |
| 142374100 | E - 8  | 14   |                      | Sp      | 55   | J04296001 | Q1 - 27 | 42   |           | Sp      | 55   |
| 142443001 | Z - 41 | 54   |                      | Sp      | 56   | J04392001 | Q1 - 33 | 42   |           | Sp      | 56   |
| 142721001 | Z - 45 | 54   |                      | Ga1     | 57   | J04393001 | Q3 - 1  | 46   | S16335001 | E - 51  | 14   |
| 142990001 | Z - 36 | 54   | 159522001            | Ga1     | 57   | J04438001 | Q3 - 2  | 46   | S16337001 | E - 53  | 14   |
| 143548000 | T - 15 | 52   | 159523001            | Ga2     | 58   | J04440001 | Q3 - 3  | 46   | S17774001 | Z - 1   | 54   |
| 143549000 | T - 14 | 52   | 159525001            | E - 90  | 16   | J04442001 | Q1 - 32 | 42   | S20356001 | C - 12  | 8    |
| 143855001 | Sp     | 55   |                      | Sp      | 55   | J04468001 | Q3 - 16 | 46   | S20553001 | H - 22  | 24   |
|           | Sp     | 56   |                      | Ga3     | 59   | J04469001 | S - 2   | 50   | S23418002 | L - 19  | 32   |
|           | Ga1    | 57   | 159526001            | Ga3     | 59   | J04470001 | S - 7   | 50   | S23651001 | B - 2   | 4    |
| 143857001 | Ga2    | 58   | 159540001            | M - 4   | 34   | J04487001 | Q1 - 19 | 42   |           | B - 8   | 4    |
| 143882001 | Z - 9  | 54   | 159541001            | M - 22  | 34   | J04593001 | Q3 - 9  | 46   |           | B - 40  | 4    |
| 143910009 | Z - 10 | 54   | 159805001            | K - 31  | 30   | J80081040 | T - 28  | 52   |           | B - 57  | 6    |
| 144226001 | Z - 15 | 54   | 159914001            | Ga1     | 57   | J800810E0 | T - 28  | 52   |           | B - 59  | 6    |
| 144504001 | K - 5  | 30   | 159915001            | M - 23  | 34   | J80380040 | T - 29  | 52   |           | B - 63  | 6    |
| 144875001 | J - 7  | 26   | 180018151            | B - 48  | 4    | J803800E0 | T - 29  | 52   |           | B - 65  | 6    |
| 145446001 | K - 30 | 30   | 183291001            | H - 23  | 24   | J80630001 | T - 30  | 52   |           | C - 3   | 8    |
| 145446002 | L - 30 | 32   | 183292001            | H - 24  | 24   | J806300E1 | T - 30  | 52   |           | C - 19  | 8    |
| 146039021 | F - 2  | 20   | 183293001            | H - 25  | 24   | J80965001 | Q3 - 20 | 46   |           | C - 32  | 8    |
| 146046000 | T - 16 | 52   | 183809001            | H - 30  | 24   | J80966101 | Q3 - 20 | 46   |           | E - 67  | 16   |
| 146194000 | T - 17 | 52   | 183810001            | H - 31  | 24   | J80967001 | Q3 - 17 | 46   |           | E - 80  | 16   |
| 146288001 | P - 27 | 40   | 183811001            | H - 32  | 24   | J80968001 | Q3 - 17 | 46   |           | E - 106 | 18   |
| 146290001 | H - 17 | 24   | BMP2060-0000000-0G40 |         |      | J80970001 | Q3 - 18 | 46   |           | H - 9   | 24   |
|           | Z - 4  | 54   |                      | Q2 - 1  | 44   | J80973001 | Q2 - 2  | 44   |           | H - 14  | 24   |
|           | Sp     | 55   | BMP2060-0000000-CG40 |         |      | J80974001 | Q2 - 3  | 44   |           | M - 36  | 34   |
|           | Sp     | 56   |                      | Q2 - 1  | 44   | J81008001 | Q3 - 19 | 46   | S23848001 | H - 33  | 24   |
| 146293001 | J - 69 | 28   | BMP2060-0000000-EG40 |         |      | S01005000 | Z - 23  | 54   | S24904201 | H - 28  | 24   |
| 148537101 | M - 24 | 34   |                      | Q2 - 1  | 44   | S01419000 | K - 10  | 30   | S24905101 | H - 29  | 24   |
| 148842001 | Sp     | 55   | J00494001            | Q3 - 12 | 46   | S01988001 | Ga1     | 57   | S25235001 | B - 5   | 4    |
|           | Ga3    | 59   | J01411001            | Q3 - 11 | 46   |           | Ga3     | 59   | S25236001 | B - 6   | 4    |
| 148967101 | H - 26 | 24   | J03733001            | Q3 - 4  | 46   | S01989001 | Ga3     | 59   |           | C - 31  | 8    |
| 149097000 | P - 30 | 40   | J03739001            | Q3 - 13 | 46   | S02620201 | K - 25  | 30   |           | E - 94  | 14   |
| 149578000 | J - 60 | 28   | J03940001            | Q1 - 11 | 42   | S02643001 | M - 8   | 34   |           | E - 96  | 16   |
| 149799000 | T - 18 | 52   | J03955001            | Q1 - 12 | 42   | S02647021 | M - 28  | 34   | S25279101 | P - 19  | 40   |
| 150172003 | Z - 25 | 54   | J03956001            | Q1 - 14 | 42   | S02648001 | M - 29  | 34   | S25310101 | C - 79  | 10   |
| 150174000 | Z - 22 | 54   | J03957001            | Q1 - 15 | 42   | S02664051 | P - 3   | 40   | S25321001 | E - 58  | 16   |
|           | Z - 26 | 54   | J03958001            | Q1 - 17 | 42   | S02747101 | Z - 24  | 54   | S25339201 | E - 92  | 16   |
| 150179002 | Z - 30 | 54   | J03961001            | Q1 - 23 | 42   | S02763602 | Z - 16  | 54   | S25344001 | J - 65  | 28   |
| 150182000 | Z - 18 | 54   | J03962001            | Q1 - 24 | 42   | S03357001 | Ga1     | 57   | S25380401 | J - 9   | 26   |
| 150183000 | Z - 35 | 54   | J03964001            | Q1 - 29 | 42   | S03677001 | P - 28  | 40   | S25382001 | J - 14  | 26   |
| 150206000 | Z - 28 | 54   | J03975001            | Q2 - 4  | 44   | S04630000 | J - 5   | 26   |           | J - 17  | 26   |
| 150206002 | Z - 20 | 54   | J03976001            | Q2 - 5  | 44   | S04632101 | K - 26  | 30   |           | J - 27  | 26   |
| 150207001 | Z - 27 | 54   | J03983001            | Q1 - 20 | 42   | S06055009 | Z - 6   | 54   | S25401100 | B - 54  | 4    |
| 151267001 | B - 47 | 4    | J03984001            | Q1 - 21 | 42   | S07027001 | T - 7   | 52   | S25426101 | M - 13  | 34   |
| 151308102 | C - 6  | 8    | J04086001            | S - 1   | 50   | S07350001 | D - 27  | 12   | S25427101 | E - 107 | 18   |
|           | E - 10 | 14   | J04093001            | S - 3   | 50   | S07783001 | Z - 48  | 54   | S25434000 | M - 40  | 34   |
|           | E - 42 | 14   | J04096001            | S - 5   | 50   | S08004001 | J - 57  | 28   | S25449201 | P - 6   | 40   |
| 151594001 | B - 45 | 4    | J04097001            | Q3 - 8  | 46   | S09621151 | A - 17  | 2    | S25454001 | P - 18  | 40   |
| 153132000 | E - 23 | 14   | J04098001            | Q3 - 8  | 46   | S09634000 | Z - 7   | 54   | S25456001 | P - 24  | 40   |
| 153138001 | G - 13 | 22   | J04099101            | T - 31  | 52   | S12441001 | K - 32  | 30   |           | P - 31  | 40   |
| 154125001 | Z - 47 | 54   | J04100001            | Q3 - 15 | 46   |           | L - 33  | 32   | S25457101 | T - 1   | 52   |
| 154567000 | M - 2  | 34   | J04115001            | Q3 - 25 | 46   | S12717000 | A - 12  | 2    | S25469100 | E - 15  | 14   |
| 154581001 | M - 30 | 34   |                      | Wa      | 61   | S12915001 | E - 57  | 16   | S25475101 | J - 66  | 28   |
| 154593201 | M - 38 | 34   | J04134001            | S - 4   | 50   | S13101001 | Sp      | 55   | S25789000 | L - 9   | 32   |
| 154594000 | M - 39 | 34   | J04149001            | S - 6   | 50   |           | Sp      | 56   | S31006001 | D - 33  | 12   |
| 154595001 | M - 41 | 34   | J04167001            | Q3 - 10 | 46   |           | Ga3     | 59   | S31032001 | K - 33  | 30   |
| 154596000 | M - 42 | 34   | J04168001            | Q3 - 22 | 46   |           | Ga4     | 60   |           | L - 32  | 32   |
| 154607101 | N - 6  | 38   | J04169001            | Q3 - 21 | 46   | S13102101 | E - 89  | 16   | S31885001 | F - 9   | 20   |

| CODE      | REF.NO  | Page | CODE      | REF.NO | Page | CODE      | REF.NO  | Page | CODE      | REF.NO  | Page |
|-----------|---------|------|-----------|--------|------|-----------|---------|------|-----------|---------|------|
| S31938001 | T - 12  | 52   | SA1227101 | E - 63 | 16   | SA1656022 | Z - 2   | 54   | SA2992001 | G - 12  | 22   |
| S31939001 | T - 13  | 52   | SA1228001 | E - 64 | 16   | SA1719001 | H - 27  | 24   | SA3025001 | Q1 - 38 | 42   |
| S32263001 | A - 11  | 2    | SA1229101 | E - 66 | 16   | SA1752014 | Z - 2   | 54   | SA3114001 | E - 109 | 18   |
| S32907050 | R - 7   | 48   |           | K - 11 | 30   | SA1752022 | Z - 2   | 54   | SA3158101 | J - 16  | 26   |
| S34352101 | E - 69  | 16   | SA1230001 | E - 70 | 16   | SA1961101 | K - 17  | 30   | SA3508001 | J - 68  | 28   |
| S34756021 | F - 6   | 20   | SA1233101 | E - 75 | 16   | SA1962001 | Z - 11  | 54   | SA4098001 | R - 4   | 48   |
| S35820021 | F - 4   | 20   | SA1234001 | E - 79 | 16   | SA1963001 | Z - 12  | 54   | SA4099001 | R - 5   | 48   |
| S35821021 | F - 1   | 20   | SA1237001 | E - 74 | 16   | SA1967001 | P - 16  | 40   | SA4211001 | Q1 - 37 | 42   |
| S36893050 | M - 50  | 34   | SA1242001 | E - 86 | 16   | SA1971101 | L - 1   | 32   | SA4256101 | D - 40  | 12   |
| S37060001 | Wa      | 61   |           | E - 98 | 16   | SA1975001 | L - 3   | 32   | SA4259001 | A - 3   | 2    |
| S38687000 | M - 62  | 36   | SA1245101 | E - 91 | 16   | SA1978001 | L - 4   | 32   | SA4270001 | J - 2   | 26   |
| S38707001 | B - 62  | 6    | SA1247001 | E - 95 | 16   | SA1980001 | L - 7   | 32   | SA4294001 | C - 67  | 10   |
| S38710001 | B - 39  | 4    | SA1250101 | E - 91 | 16   | SA1981101 | L - 10  | 32   | SA4295001 | C - 66  | 10   |
| S38712001 | B - 42  | 4    | SA1251001 | E - 95 | 16   | SA1984001 | L - 16  | 32   | SA4298001 | C - 75  | 10   |
| S38713100 | B - 43  | 4    | SA1261001 | E - 4  | 14   | SA1985001 | L - 18  | 32   | SA4300001 | C - 77  | 10   |
| S39051001 | D - 34  | 12   | SA1263001 | E - 4  | 14   | SA1988001 | L - 20  | 32   | SA4301001 | C - 78  | 10   |
| S39830101 | E - 101 | 16   | SA1269001 | E - 38 | 14   | SA1989001 | L - 21  | 32   | SA4302001 | C - 46  | 8    |
| S40765001 | T - 20  | 52   | SA1284001 | H - 10 | 24   | SA1990101 | L - 22  | 32   |           | C - 46  | 10   |
| S40938001 | K - 27  | 30   | SA1285001 | H - 11 | 24   | SA1991001 | L - 23  | 32   | SA4344001 | B - 34  | 4    |
| S41205001 | P - 5   | 40   | SA1286001 | H - 13 | 24   | SA1992101 | L - 25  | 32   | SA4346001 | C - 71  | 10   |
| S41206001 | P - 4   | 40   | SA1291001 | K - 18 | 30   | SA1994101 | L - 29  | 32   | SA4468001 | D - 36  | 12   |
| S41207000 | P - 29  | 40   | SA1300001 | J - 19 | 26   | SA1998001 | M - 63  | 36   | SA4483001 | D - 15  | 12   |
| S45563001 | K - 3   | 30   | SA1303001 | J - 21 | 26   | SA2040001 | A - 20  | 2    | SA4484001 | D - 10  | 12   |
| S45837001 | D - 35  | 12   |           | J - 44 | 26   |           | Wa      | 61   |           | Sp      | 55   |
| S45903001 | Ga4     | 60   | SA1306001 | J - 32 | 26   | SA2041001 | A - 21  | 2    |           | Sp      | 56   |
| S47487001 | J - 36  | 26   | SA1307001 | J - 33 | 26   |           | Wa      | 61   |           | Ga1     | 57   |
| S47508101 | E - 100 | 16   | SA1309001 | J - 37 | 26   | SA2097101 | M - 54  | 34   |           | Ga2     | 58   |
| S47509001 | J - 38  | 26   | SA1313101 | J - 42 | 26   | SA2161001 | B - 14  | 4    | SA4487101 | D - 13  | 12   |
| S50098101 | E - 5   | 14   | SA1314001 | J - 48 | 26   |           | B - 20  | 4    |           | Sp      | 56   |
| S51272100 | J - 40  | 26   | SA1316001 | J - 50 | 26   |           | B - 26  | 4    |           | Ga1     | 57   |
| S51282101 | Z - 19  | 54   | SA1317001 | B - 55 | 6    | SA2162001 | E - 72  | 16   |           | Ga2     | 58   |
| S51283001 | Z - 17  | 54   | SA1321401 | J - 58 | 28   | SA2165001 | D - 30  | 12   | SA4489001 | D - 10  | 12   |
| S51815001 | J - 18  | 26   | SA1322301 | J - 59 | 28   | SA2170001 | A - 19  | 2    |           | Sp      | 55   |
|           | J - 34  | 26   | SA1323001 | J - 61 | 28   | SA2190001 | L - 24  | 32   |           | Sp      | 56   |
| S52764001 | J - 10  | 26   | SA1324001 | J - 62 | 28   | SA2250001 | B - 41  | 4    |           | Ga3     | 59   |
| S55655201 | K - 24  | 30   | SA1325001 | J - 63 | 28   | SA2251001 | B - 58  | 6    |           | Ga4     | 60   |
| SA1106001 | A - 1   | 2    | SA1326101 | J - 64 | 28   | SA2252001 | B - 64  | 6    | SA4490101 | D - 13  | 12   |
| SA1107001 | A - 2   | 2    | SA1327101 | J - 70 | 28   | SA2254101 | B - 66  | 6    |           | Sp      | 56   |
| SA1120001 | B - 7   | 4    | SA1342001 | K - 15 | 30   | SA2258001 | M - 34  | 34   |           | Ga3     | 59   |
| SA1140001 | B - 38  | 4    | SA1343001 | K - 12 | 30   | SA2270001 | R - 2   | 48   |           | Ga4     | 60   |
| SA1145001 | B - 52  | 4    | SA1345001 | K - 13 | 30   | SA2287001 | P - 20  | 40   | SA4494001 | E - 2   | 14   |
| SA1150001 | B - 61  | 6    | SA1359001 | K - 9  | 30   | SA2347001 | E - 103 | 16   | SA4499001 | C - 50  | 8    |
| SA1166001 | B - 56  | 6    |           | L - 26 | 32   | SA2352101 | K - 1   | 30   | SA4503001 | C - 72  | 10   |
| SA1171001 | D - 1   | 12   | SA1360101 | L - 27 | 32   | SA2354001 | Q1 - 31 | 42   | SA4505001 | C - 69  | 10   |
| SA1173001 | D - 1   | 12   | SA1362101 | M - 32 | 34   | SA2358101 | K - 6   | 30   | SA4552001 | J - 39  | 26   |
| SA1174001 | D - 5   | 12   | SA1363001 | M - 33 | 34   | SA2362001 | K - 2   | 30   | SA4588001 | C - 64  | 10   |
| SA1175001 | D - 6   | 12   | SA1366001 | M - 45 | 34   | SA2363001 | K - 4   | 30   | SA5278001 | B - 51  | 4    |
| SA1179001 | D - 17  | 12   | SA1367201 | M - 51 | 34   | SA2377001 | E - 68  | 16   | SA5329001 | M - 15  | 34   |
|           | D - 29  | 12   | SA1371201 | N - 1  | 38   | SA2378001 | B - 60  | 6    | SA5730101 | Q1 - 4  | 42   |
|           | D - 32  | 12   | SA1373001 | N - 4  | 38   | SA2383001 | M - 37  | 34   | SA5731001 | Q1 - 6  | 42   |
|           | J - 71  | 28   | SA1374301 | P - 1  | 40   | SA2404001 | B - 44  | 4    | SA5732001 | Q1 - 5  | 42   |
| SA1181001 | D - 19  | 12   | SA1376001 | P - 11 | 40   | SA2422001 | B - 12  | 4    | SA6025001 | J - 3   | 26   |
| SA1183001 | D - 22  | 12   | SA1377001 | P - 21 | 40   |           | B - 18  | 4    | SA6130001 | J - 25  | 26   |
| SA1184001 | D - 23  | 12   | SA1378201 | P - 25 | 40   |           | B - 24  | 4    | SA6167001 | K - 7   | 30   |
| SA1186001 | D - 26  | 12   | SA1388101 | R - 12 | 48   | SA2778201 | D - 12  | 12   | SA6606001 | Z - 29  | 54   |
| SA1206001 | E - 14  | 14   | SA1390001 | R - 6  | 48   | SA2844101 | G - 9   | 22   | SA6607001 | Z - 33  | 54   |
| SA1207001 | E - 18  | 14   | SA1391601 | M - 47 | 34   | SA2848001 | G - 10  | 22   |           | Z - 34  | 54   |
| SA1209001 | E - 22  | 14   | SA1392001 | M - 48 | 34   | SA2849001 | E - 9   | 14   | SA6609001 | Z - 37  | 54   |
| SA1211001 | E - 25  | 14   | SA1393001 | M - 49 | 34   | SA2850101 | E - 30  | 14   | SA6629001 | Z - 21  | 54   |
| SA1218001 | E - 41  | 14   | SA1394101 | M - 66 | 36   | SA2851001 | E - 33  | 14   | SA7148001 | H - 2   | 24   |
| SA1223001 | E - 48  | 14   |           | R - 13 | 48   | SA2852001 | G - 8   | 22   | SA7230001 | B - 32  | 4    |
| SA1225001 | E - 55  | 16   | SA1396001 | P - 2  | 40   | SA2868001 | M - 65  | 36   | SA7239101 | B - 29  | 4    |
| SA1226101 | E - 61  | 16   | SA1656014 | Z - 2  | 54   |           | Q1 - 8  | 42   | SA7242001 | D - 2   | 12   |

## 索引 / Index

| CODE      | REF.NO | Page | CODE      | REF.NO  | Page | CODE      | REF.NO | Page | CODE | REF.NO | Page |
|-----------|--------|------|-----------|---------|------|-----------|--------|------|------|--------|------|
| SA7253001 | E - 36 | 14   | SA7408001 | D - 31  | 12   | SA7903001 | G - 5  | 22   |      |        |      |
| SA7254001 | E - 49 | 14   | SA7410201 | J - 55  | 28   | SA7904001 | G - 2  | 22   |      |        |      |
| SA7255001 | E - 73 | 16   | SA7414101 | N - 2   | 38   | SA7907001 | G - 3  | 22   |      |        |      |
| SA7257001 | E - 87 | 16   | SA7449001 | Sp      | 55   | SA7949001 | H - 15 | 24   |      |        |      |
| SA7261101 | H - 1  | 24   |           | Sp      | 56   | SA8002001 | P - 14 | 40   |      |        |      |
| SA7263301 | H - 4  | 24   | SA7450001 | Sp      | 55   |           |        |      |      |        |      |
| SA7265101 | J - 12 | 26   |           | Sp      | 56   |           |        |      |      |        |      |
| SA7269001 | J - 20 | 26   | SA7453101 | Z - 49  | 54   |           |        |      |      |        |      |
| SA7271001 | K - 20 | 30   | SA7454101 | Z - 50  | 54   |           |        |      |      |        |      |
| SA7273001 | K - 24 | 30   | SA7471001 | C - 38  | 8    |           |        |      |      |        |      |
| SA7275001 | K - 26 | 30   |           | C - 38  | 10   |           |        |      |      |        |      |
| SA7283001 | M - 12 | 34   | SA7483201 | C - 61  | 10   |           |        |      |      |        |      |
| SA7284201 | M - 18 | 34   | SA7485101 | C - 62  | 10   |           |        |      |      |        |      |
| SA7285001 | M - 19 | 34   | SA7503001 | J - 53  | 28   |           |        |      |      |        |      |
| SA7287001 | M - 26 | 34   | SA7505001 | J - 54  | 28   |           |        |      |      |        |      |
| SA7288001 | M - 57 | 34   | SA7525001 | H - 3   | 24   |           |        |      |      |        |      |
| SA7291101 | Q1 - 1 | 42   | SA7552001 | M - 1   | 34   |           |        |      |      |        |      |
| SA7292101 | Q1 - 3 | 42   | SA7554001 | H - 8   | 24   |           |        |      |      |        |      |
| SA7293001 | Q1 - 7 | 42   | SA7558001 | C - 44  | 8    |           |        |      |      |        |      |
| SA7294001 | R - 1  | 48   |           | C - 44  | 10   |           |        |      |      |        |      |
| SA7295001 | R - 3  | 48   | SA7562001 | J - 26  | 26   |           |        |      |      |        |      |
| SA7297101 | Z - 14 | 54   | SA7577001 | M - 14  | 34   |           |        |      |      |        |      |
| SA7320001 | H - 7  | 24   | SA7607001 | D - 7   | 12   |           |        |      |      |        |      |
| SA7321001 | E - 20 | 14   | SA7626001 | B - 17  | 4    |           |        |      |      |        |      |
| SA7323201 | E - 44 | 14   | SA7628001 | B - 11  | 4    |           |        |      |      |        |      |
| SA7324201 | E - 45 | 14   |           | B - 23  | 4    |           |        |      |      |        |      |
| SA7325001 | Q1 - 2 | 42   | SA7635001 | E - 12  | 14   |           |        |      |      |        |      |
| SA7330001 | E - 84 | 16   | SA7654001 | B - 28  | 4    |           |        |      |      |        |      |
| SA7336001 | A - 5  | 2    | SA7660001 | E - 7   | 14   |           |        |      |      |        |      |
| SA7337001 | J - 30 | 26   | SA7661001 | E - 31  | 14   |           |        |      |      |        |      |
| SA7338001 | J - 28 | 26   | SA7664201 | E - 105 | 18   |           |        |      |      |        |      |
| SA7341101 | M - 20 | 34   | SA7670001 | E - 35  | 14   |           |        |      |      |        |      |
| SA7345101 | J - 15 | 26   | SA7673001 | E - 82  | 16   |           |        |      |      |        |      |
| SA7351101 | B - 10 | 4    | SA7674001 | E - 83  | 16   |           |        |      |      |        |      |
| SA7353101 | B - 16 | 4    | SA7675001 | E - 108 | 18   |           |        |      |      |        |      |
| SA7355101 | B - 22 | 4    | SA7679001 | E - 110 | 18   |           |        |      |      |        |      |
| SA7358101 | C - 2  | 8    | SA7686002 | Sp      | 55   |           |        |      |      |        |      |
| SA7359101 | C - 5  | 8    |           | Sp      | 56   |           |        |      |      |        |      |
| SA7361101 | C - 8  | 8    | SA7688001 | Sp      | 55   |           |        |      |      |        |      |
| SA7362301 | C - 13 | 8    |           | Sp      | 56   |           |        |      |      |        |      |
| SA7364101 | C - 15 | 8    | SA7689001 | H - 18  | 24   |           |        |      |      |        |      |
| SA7368001 | C - 20 | 8    | SA7693001 | H - 5   | 24   |           |        |      |      |        |      |
| SA7370201 | C - 23 | 8    | SA7697001 | E - 40  | 14   |           |        |      |      |        |      |
| SA7371201 | C - 24 | 8    | SA7725001 | C - 10  | 8    |           |        |      |      |        |      |
| SA7374001 | C - 25 | 8    | SA7814001 | A - 16  | 2    |           |        |      |      |        |      |
| SA7377201 | C - 28 | 8    | SA7824001 | B - 1   | 4    |           |        |      |      |        |      |
| SA7379101 | C - 30 | 8    | SA7826001 | C - 63  | 10   |           |        |      |      |        |      |
| SA7382001 | C - 51 | 10   | SA7829001 | H - 19  | 24   |           |        |      |      |        |      |
| SA7383201 | C - 53 | 10   |           | Sp      | 55   |           |        |      |      |        |      |
| SA7384101 | C - 18 | 8    |           | Sp      | 56   |           |        |      |      |        |      |
| SA7389201 | C - 58 | 10   | SA7830001 | H - 16  | 24   |           |        |      |      |        |      |
| SA7390201 | C - 33 | 10   |           | Sp      | 55   |           |        |      |      |        |      |
| SA7391001 | C - 33 | 8    |           | Sp      | 56   |           |        |      |      |        |      |
| SA7394201 | C - 37 | 8    | SA7842001 | C - 39  | 8    |           |        |      |      |        |      |
|           | C - 37 | 10   |           | C - 39  | 10   |           |        |      |      |        |      |
| SA7396101 | C - 43 | 8    | SA7843001 | Z - 51  | 54   |           |        |      |      |        |      |
|           | C - 43 | 10   | SA7850001 | G - 1   | 22   |           |        |      |      |        |      |
| SA7397001 | C - 45 | 8    | SA7854001 | G - 15  | 22   |           |        |      |      |        |      |
|           | C - 45 | 10   | SA7859001 | E - 1   | 14   |           |        |      |      |        |      |
| SA7401101 | C - 48 | 8    | SA7860001 | E - 1   | 14   |           |        |      |      |        |      |
|           | C - 48 | 10   | SA7898101 | M - 52  | 34   |           |        |      |      |        |      |
| SA7406101 | D - 18 | 12   | SA7899001 | M - 53  | 34   |           |        |      |      |        |      |
| SA7407101 | D - 16 | 12   | SA7900001 | M - 55  | 34   |           |        |      |      |        |      |

# MEMO

brother®



パーツブック  
PARTS BOOK

ブラザー工業株式会社

BROTHER INDUSTRIES, LTD.

©2006 Brother Industries, Ltd. All Rights Reserved.

S-7220B  
SA7438-001.J/E  
2006.06.B (1)