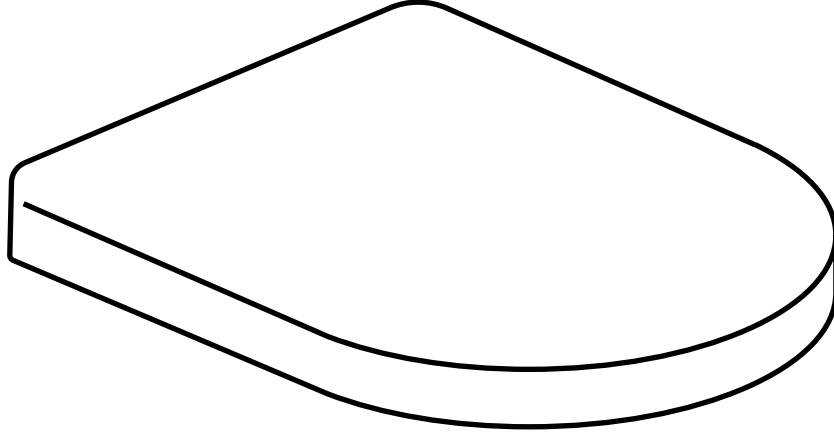


AQUA-BAGNO



TOILET SEAT COVERS INSTALLATION PRINCIPLES AND USER MANUAL

www.aqua-bagno.com

AQUA BAGNO HEADQUARTERS

**Facility Gebäudetechnik
Großhandels UG**

Siegburgstr. 22
44359 Dortmund
Germany

info@aqua-bagno.com

AQUA BAGNO TURKEY AUTHORIZED DEALER

**Trio Dizayn İç Ve Dış
Ticaret Limited Şirketi**

Tatlısu Mah.
Akdağ Caddesi 11/A
34774 Ümraniye İstanbul
Türkiye

www.evimdizayn.com

info@triodizayn.com.tr

1. TOILET SEAT ASSEMBLY PRINCIPLES

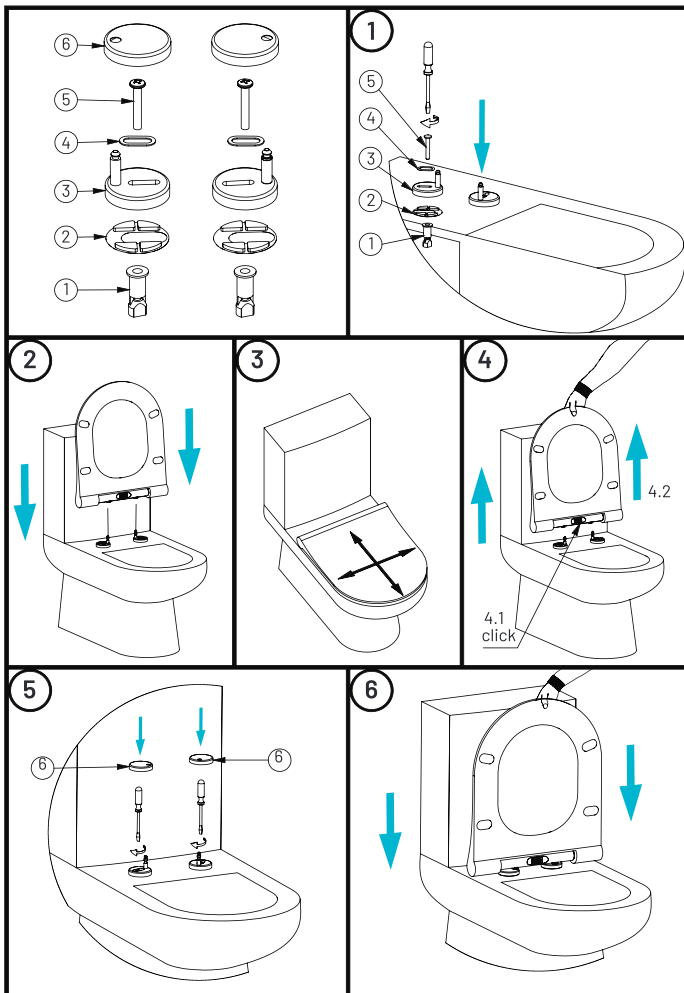
AQUA BAGNO

For easy assembly; You can watch the assembly videos on Youtube using the links below or you can use the illustrated assembly guides below.

DUROPLAST MODELS



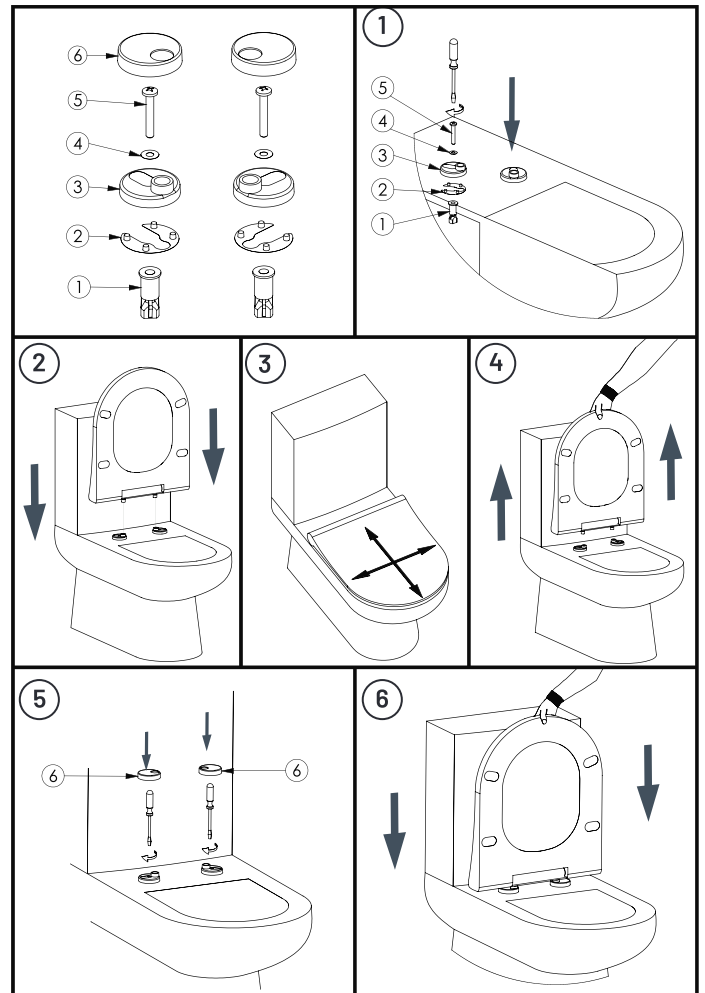
Duroplast caps for Youtube
"Aqua Bagno Toilet Seat Cover Installation - DP"
You can watch the montage video by typing.



PP - PLASTIC MODELS



PP - For plastic lids Youtube
"Aqua Bagno Toilet Seat Cover Installation - PP"
You can watch the montage video by typing.



2. POINTS TO BE CONSIDERED DURING COVER ASSEMBLY

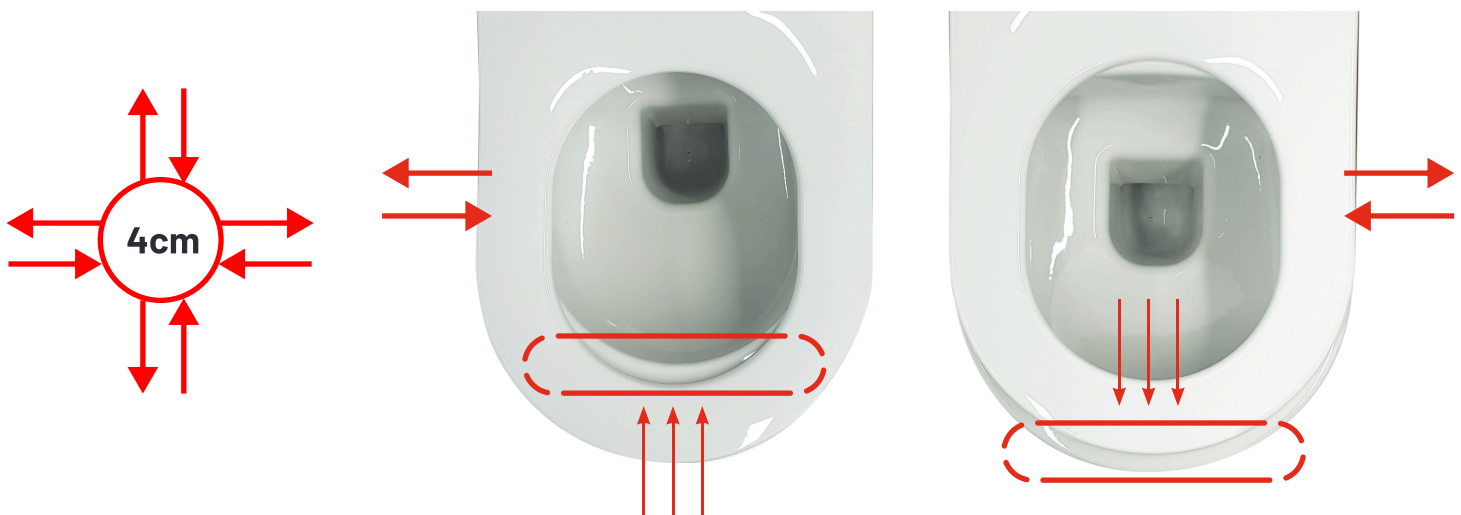
1. The **SLOW CLOSURE FEATURE** of the products is activated after assembly.
2. PP - Covers If the **mounting holes of your toilet bowl and cover mounting hole locations do not match**, there is no problem.

Please refer to the assembly instructions given on the previous page.
Assemble your cover by following the instructions.

You can assemble it thanks to the **ADJUSTABLE mounting brackets**.



3. There is **NO PROBLEM** if your toilet seat is shorter or longer on the sides and front sides after installation, please watch the installation video again from the Youtube links given on the next page. Thanks to the mounting apparatus, the cover can be adjusted in all directions up to 4 cm.

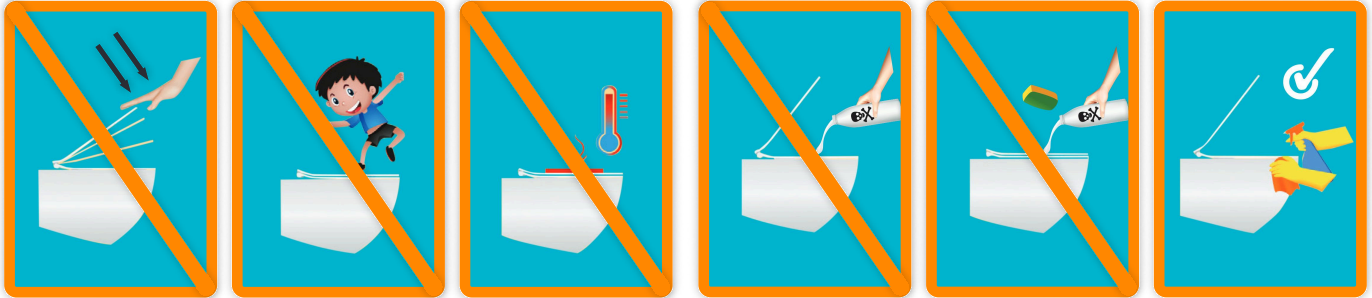


3. RETURNS

5. You can return our products in their original packaging and with all parts, **UNUSED** and unassembled within **7 BUSINESS DAYS** or **WITH COMPLETION TO MARKET PLACES RETURN RULES**. Returns made without paying attention to these issues **WILL NOT BE ACCEPTED**.

4. MATTERS TO BE CONSIDERED IN USE


1. The lid should be lifted up when cleaning the toilet bowl. The vapors of the cleaning material can spoil the lid surface.
2. The cover should be cleaned with a non-hard, soft, sponge or cleaning cloth and soap-based cleaning products.
3. Surfaces should not be cleaned with hard cleaning tools (wire, hard surface of sponge, etc.), cleaning agents containing acids and abrasives (bleach, chlorine-like ammonia cleaners, salt spirit, etc.).
4. Substances such as alcohol, oil, thinner and acetone with high levels should not come into contact with the products.
5. The lids should not be exposed to sunlight for long periods.
6. Objects with high temperature and objects that can spoil the surface should not be placed on your toilet seats.
7. The toilet seat should never be stepped on with the foot, no force should be applied. Surfaces should not be hit with hard and sharp objects.
8. Do not use manual force to close the lid. This may cause can cause disruption of the slow closing mechanism.



5. WARRANTY CONDITIONS

1. The warranty period starts with the invoice date and lasts for 2 years. The invoice replaces the warranty certificate.
2. Malfunctions arising from the use of the product contrary to the points in the user manual are not covered by the warranty.
3. If the product malfunctions within the warranty period, the maximum repair period is 20 days. In repair periods exceeding 20 days, the product is replaced one-to-one.

6. SALES SUPPORT LINE TURKEY

1. You can contact **AQUA BAGNO CUSTOMER SUPPORT SERVICES** regarding the issues described above and after-sales services; **Monday - Friday, 09:00 - 18:00** between **+90 541 764 95 93** via  **Whatsapp** or **info@evimdizayn.com** e-mail address.